

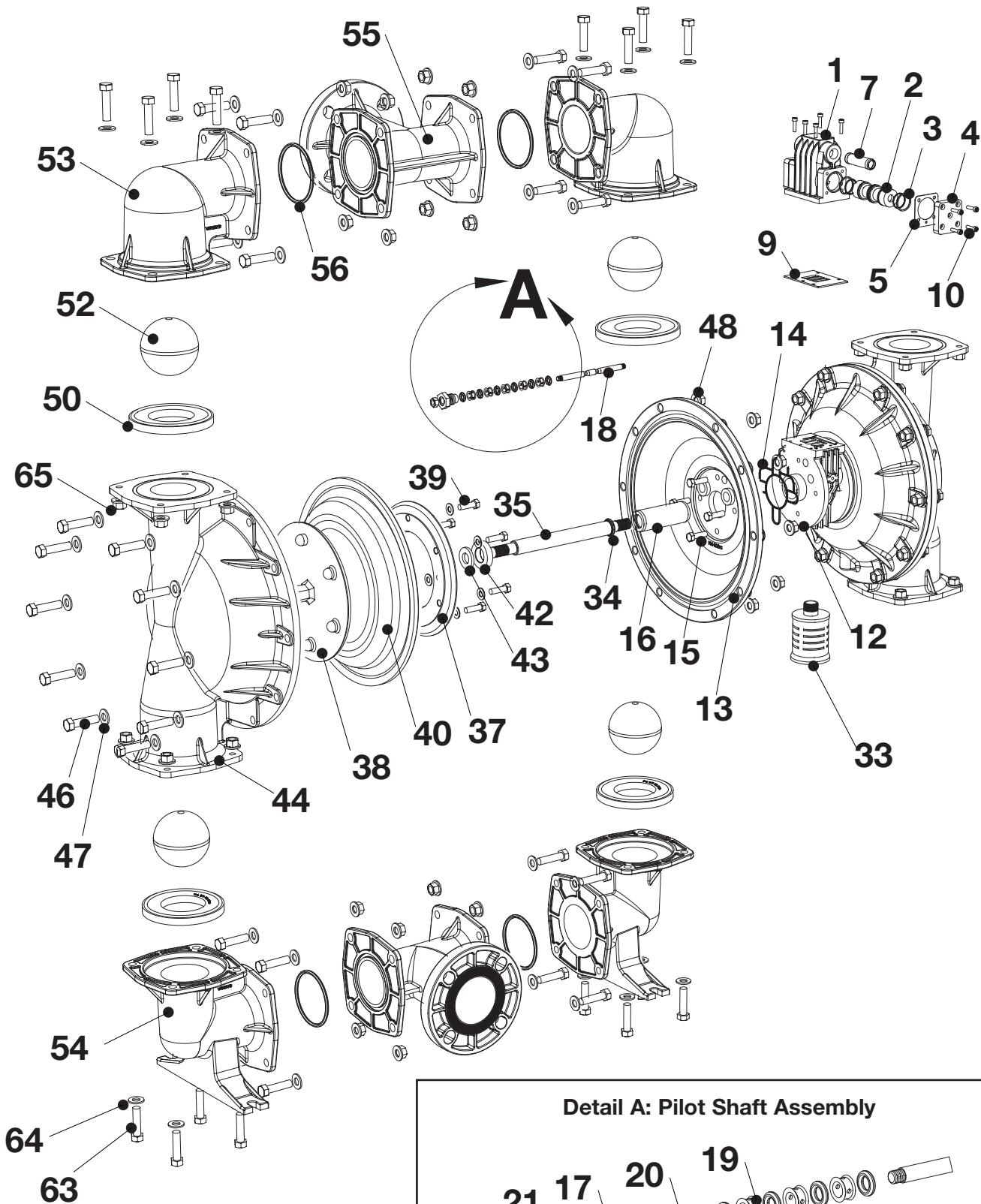
# PARTS LIST

AIR VALVE ASSEMBLY							
Item	Description	Qty	Standard: Aluminum	Option 1: Stainless Steel	Option 2: Teflon Coated	Option 3: Nickel Plated	
	Air Valve Assembly (Includes items 1-9)	1	P34-200	SP34-200	P34-200-TC	P34-200-NP	
1	Valve Body	1	P34-211	SP34-211	P34-211TC	P34-211NP	
2	Valve Spool	1	P34-204	SP34-204	P34-204	P34-204	
3	Glide Ring	2	P34-204F	P34-204F	P34-204F	P34-204F	
4	End Cap	2	P34-300	SP34-300	P34-300TC	SP34-300	
5	End Cap Gasket	2	P24-205	P24-205	P24-205	P24-205	
7	Air Valve Screen	1	P24-210	P24-210	P24-210	P24-210	
9	Valve Gasket	1	P24-202	P24-202	P24-202	P24-202	
10	Socket Head Cap Screw	13	P24-208	P24-208	P24-208	P24-208	
AIR END ASSEMBLY							
Item	Description	Qty	Standard: Aluminum	Option 1: Stainless Steel	Option 2: Teflon Coated	Option 3: Nickel Plated	
12	Center Block***	1	P34-400	SP34-400	P34-400TC	P34-400NP	
13	Air Chamber	2	P34-111	SP34-111	P34-111TC	P34-111NP	
14	Air Chamber Gasket	2	P79-109	P79-109	P79-109	P79-109	
15	Air Chamber Bolt	8	P34-110	SP34-110	P34-110	P34-110	
16	Bearing Sleeve	1	P34-402	P34-402	P34-402	P34-402	
17	Bushing	2	P34-105	SP34-105	P34-105TC	P34-105	
18	Pilot Shaft	1	P34-104	P34-104	P34-104	P34-104	
19	Pilot Shaft Spacer	5	P24-106	P24-106	P24-106	P24-106	
20	Pilot Shaft O-Ring	6	P24-107	P24-107	P24-107	P24-107	
21	Stop Nut	2	P24-108	P24-108	P24-108	P24-108	
33	Muffler	1	VTM-8	VTM-8	VTM-8	VTM-8	
34	Main Shaft O-Ring	2	P34-403	P34-403	P34-403	P34-403	
DIAPHRAGM ASSEMBLY							
Item	Description	Qty	TPE Rugged	TPE Dome	Teflon Bonded	Teflon 2-Piece	
35	Main Shaft	1	P34-103	P34-103	P34-103	P34-103	
37	Inner Diaphragm Plate	2	V302C SV302C V302CTC V302CNP	V307B SV307B V307BTC V307BNP	V302TI SV302TI V302TITC V302TINP	V302TI SV302TI V302TITC V302TINP	
38	Outer Diaphragm Plate	2	V302B SV302B HV30B	VB307 SVB307 HVB307	V302TO SV302TO HV302TO	V302TO SV302TO HV302TO	
39	Diaphragm Plate Bolts/ Diaphragm Plate Washers	12/ 12	V302G/V302GA SV302G/SV302GA	N/A	N/A	N/A	
40	Diaphragm	2	V305BN V305N V305ND V305VT V305XL V305FG	V306N V306BN V306ND V306VT	V305TX	V305TF-FB	
41	Back-up Diaphragm	2	N/A	N/A	N/A	V305TFB	
42	Bumper Washer	2	P34-501	P34-501	P34-501	P34-501	
43	Back-up Washer	2	V302E	N/R	N/R	N/R	
WET END ASSEMBLY							
Item	Description	Qty	Standard: Aluminum	Option 1: Stainless Steel	Option 2: Hastelloy		
44	Water Chamber	2	V350FB	SV350FB	HV350FB		
46	Water Chamber Bolt	20	V387A		SV387A		
47	Water Chamber Washer	20	V387B		SV387B		
48	Water Chamber Nut	20	V387C		SV387C		
50	Valve Seat	4		V456BN V456N V456ND V456TF V456VT V456XL V456FG			
52	Valve Ball	4		V455BN V455N V455ND V455TF V455VT V455XL V455FG			
Port Option 1: Three-Piece Manifolds for Aluminum							
53	Manifold Discharge Elbow	2		V351E-FB			
54	Manifold Inlet Elbow	2		V352E-FB			
55	Manifold Tee	2		V358FB			
56	Manifold Tee O-Ring	4		V258BN V258ND V258TES V258TEV V258VT V258XL			
63	Manifold Bolt	32		V387D			
64	Manifold Washer	32		V387B			
65	Manifold Nut	32		V387C			
Port Option 2: One-Piece Manifolds for Stainless and Hastelloy:							
			Stainless Steel Components			Hastelloy Components	
60	Discharge Manifold	1		SV351FB	HV351FB		
61	Inlet Manifold	1		SV352FB	HV352FB		
62	Stand	2		SP55-390			
63	Manifold Bolt	16		SV387A			
64	Manifold Washer	16		SV387B			
65	Manifold Nut	16		SV387C			

\*\*\*These part numbers include (1) center Block, (1) P34-402 Bearing Sleeve, and (2) P34-403 Main shaft O-Rings.

# EXPLODED VIEWS

Exploded View shows Rugged Diaphragm and Three-Piece Manifold for Aluminum Pump



# E3, 3” Pumps with Rubber Elastomers Assembly Drawing & Parts List

Item	Description	Qty	Pump Model Number				
			E3AB Aluminum Screen	E3AA Aluminum Footed	E3CA Cast Iron Footed	E3SA 316 SS Footed	E3HA Hastelloy C Footed
			Applicable Part Number				
	Center Section Assembly (Items 1-27)	1	P34-100				
1	Air Chamber	2	P34-101				
2							
3	Shaft	1	P34-103				
4	Pilot Shaft	1	P34-104				
5	Bushing, Threaded	2	P34-105				
6	Pilot Valve Spacer Rings	5	P24-106				
7	Pilot Valve O-Rings	6	P24-107				
8	Stop Nut	2	P24-108				
9	Bolt	8	P34-110				
10	Valve Assembly (Items 11-21)	1	P34-200				
11	Air Valve & Sleeve Assembly	1	P34-211				
12	Gasket, Valve Body	1	P24-202				
13							
14	Spool Assembly	1	P34-204				
14A	Glyd Ring Assembly	2	P34-204F				
15	Gasket, End Cap	2	P24-205				
16	Plastic Elbow	1	PV301G				
17	Muffler	1	VTM-8				
18	Cap Screw	13	P24-208				
19	Air Valve Screen	1	P24-210				
20	Diaphragm Plate Bolts & Washers	12	V302G/V302GA				
21	End Cap Assembly	2	P34-300				
22	Center Block Assembly (Items 23-26)	1	P34-400				
23	Center Block	1	P34-401				
24	Bearing Sleeve	1	P34-402				
25	Center Block O-Ring	2	P34-403				
26	Center Block Gasket	2	P24-109				
27	Back-Up Washer	2	V302E				
28	Inner Diaphragm Plate	2	V302C				
	Inner Diaphragm Plate, Domed	2	V307B				
29	Outer Diaphragm Plate	2	V302B	WV302B	SV302B	HV302B	
	Outer Diaphragm Plate, Domed	2	VB307	SVB307		HVB307	
30	Water Chamber	2	V350	WV350	SV350	HV350	
31	Discharge Manifold	1	V351	WV351	SV351	HV351	
32	Inlet Housing – Footed	1	N/R	V352F	SV352F	HV352F	
33	Inlet Housing – Screened	1	V352	N/R			
34	Screen (For P/N V237)	1	V353	N/R			
35	Bolt	3	V238A	N/R			
36	Hook-Up Cover	1	V357	N/R			
37	Large Clamp Assembly	2	V311		SV311		
38	Small Clamp Assembly	4	V354		SV354		
39A	Diaphragm*	2	V305xx				
39B	Diaphragm, Versa-Dome**	2	V306xx				
40	Valve Seat	4	V356xx				
41	Valve Ball	4	V355xx				
42	Bumper Washer	2	P34-501				

\*When ordering diaphragms, valve balls and valve seats, Elastomer type must be known. Substitute the following to designate Elastomer type:

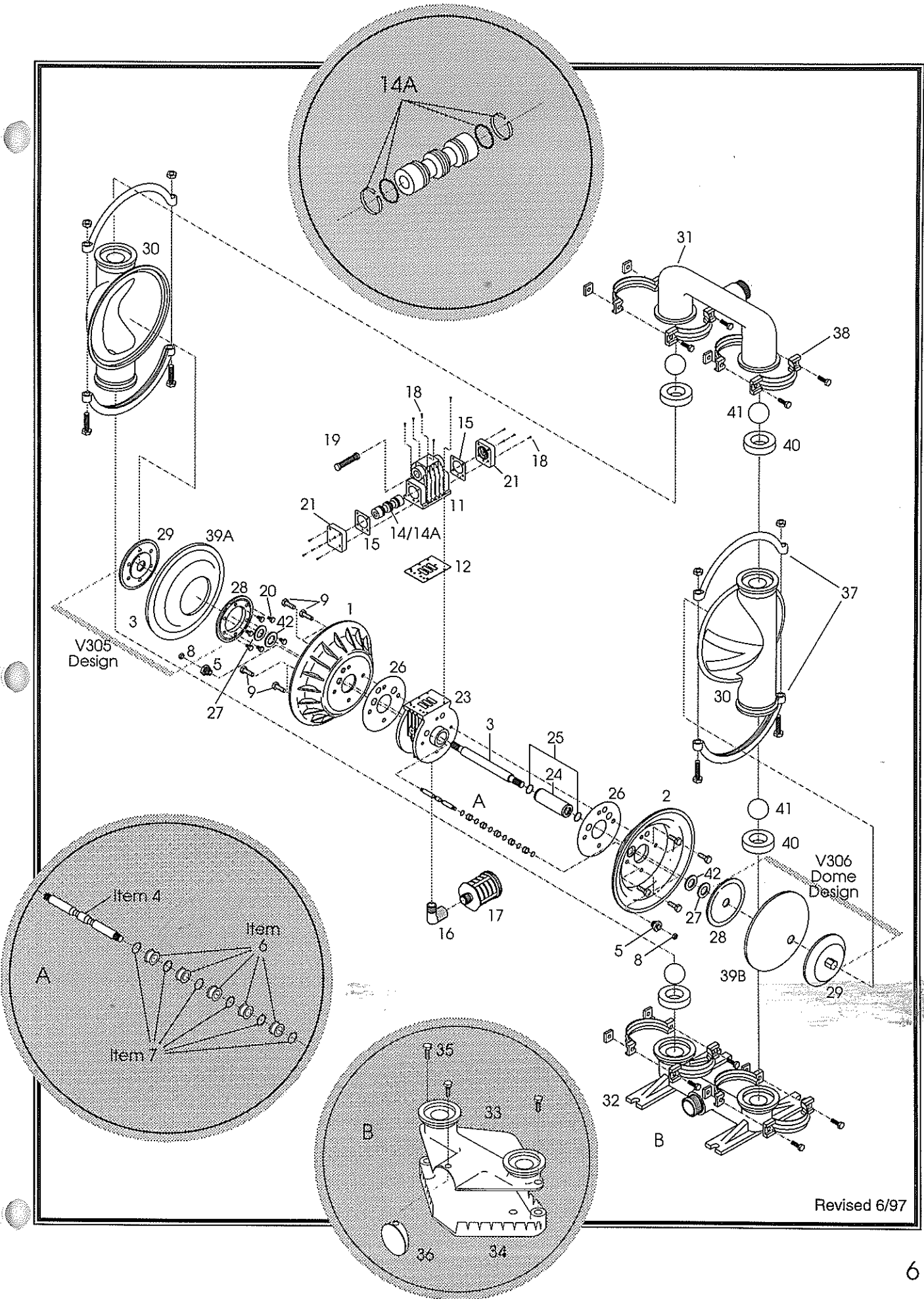
xx=

BN – Buna-N  
N – Neoprene  
ND – Nordel

P – Polyurethane  
XL – TPE XL  
FG – Hytrel

VT – Viton

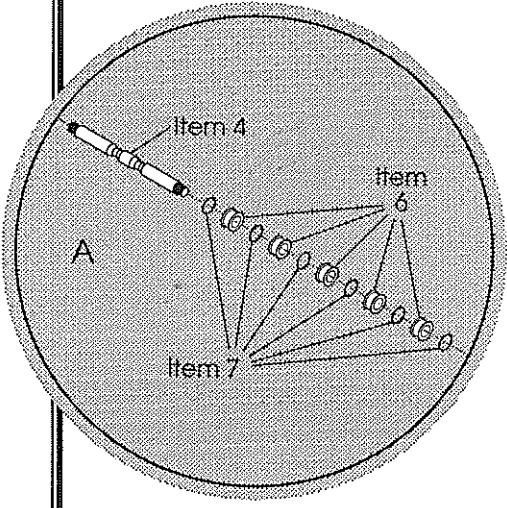
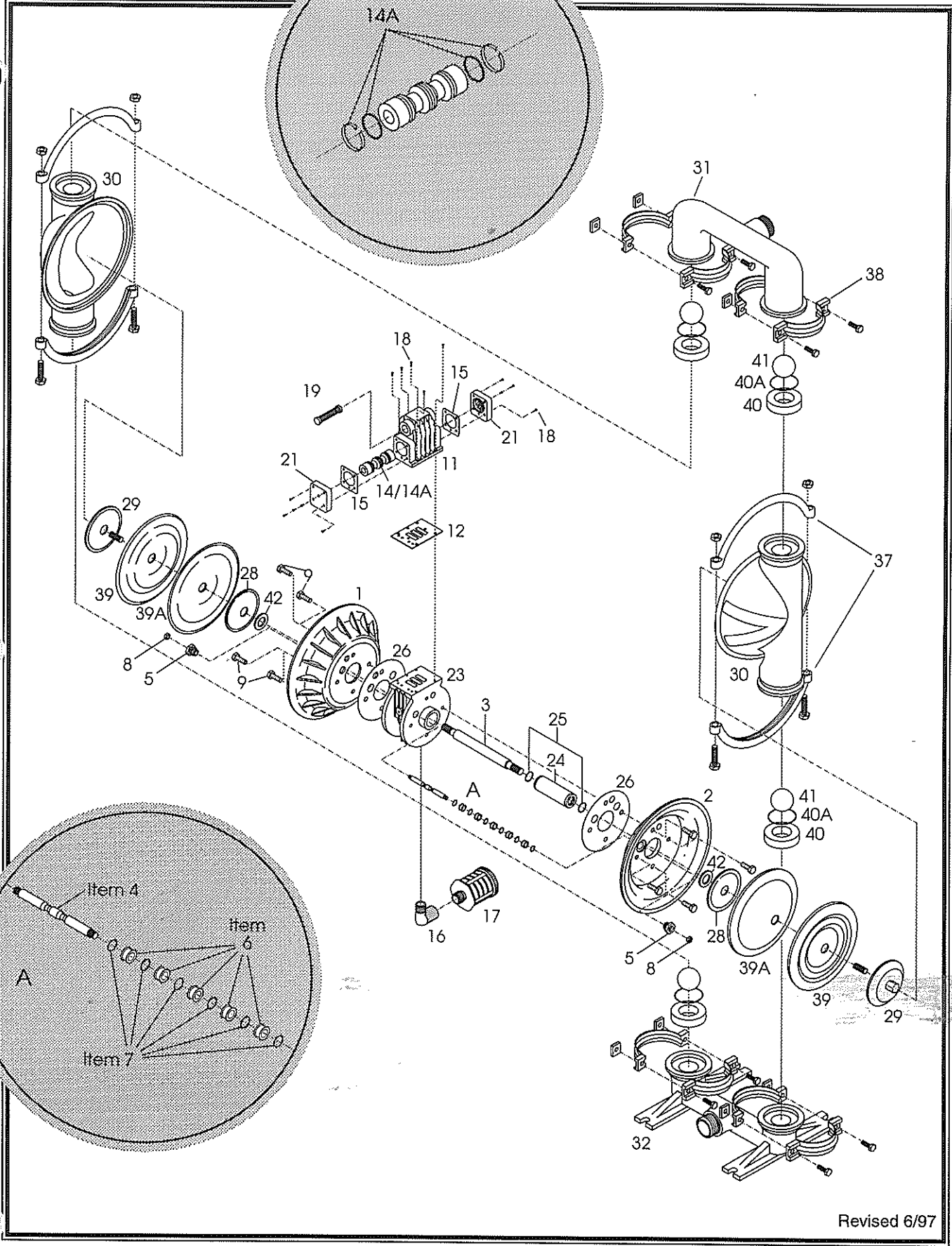
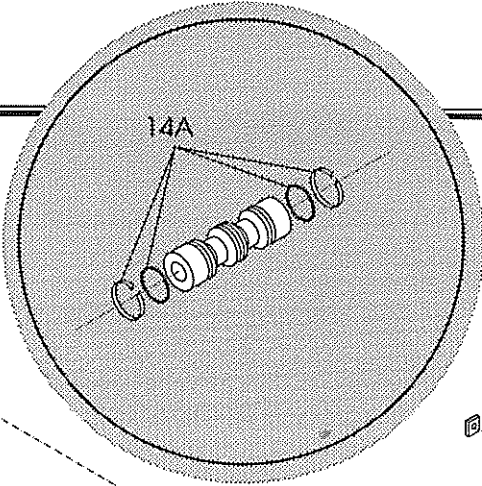
\*\*Dome Diaphragms are available in Buna-N, Neoprene, Nordel and Viton



Revised 6/97

# E3, 3" Pumps with Teflon Elastomers Assembly Drawing & Parts List

			Pump Model Number			
			E3BA Aluminum Footed	E3CA Cast Iron Footed	E3SA 316 SS Footed	E3HA Hastelloy C Footed
Item	Description	Qty	Applicable Part Number			
	Center Section Assembly (Items 1-26)	1	P34-100			
1	Air Chamber	2	P34-101			
2						
3	Shaft	1	P34-103			
4	Pilot Shaft	1	P34-104			
5	Bushing, Threaded	2	P34-105			
6	Pilot Valve Spacer Rings	5	P24-106			
7	Pilot Valve O-Rings	6	P24-107			
8	Stop Nut	2	P24-108			
9	Bolt	8	P34-110			
10	Valve Assembly (Items 11-21)	1	P34-200			
11	Air Valve & Sleeve Assembly	1	P34-211			
12	Gasket, Valve Body	1	P24-202			
13						
14	Spool Assembly	1	P34-204			
14A	Glyd Ring Assembly	2	P34-204F			
15	Gasket, End Cap	2	P24-205			
16	Plastic Elbow	1	PV301G			
17	Muffler	1	VTM-8			
18	Cap Screw	13	P24-208			
19	Air Valve Screen	1	P24-210			
20						
21	End Cap Assembly	2	P34-300			
22	Center Block Assembly (Items 23-26)	1	P34-400			
23	Center Block	1	P34-401			
24	Bearing Sleeve	1	P34-402			
25	Center Block O-Ring	2	P34-403			
26	Center Block Gasket	2	P24-109			
27						
28	Inner Diaphragm Plate	2	V302TI		SV302TI	
29	Outer Diaphragm Plate	2	V302TO	SV302TO	HV302TO	
30	Water Chamber	2	V350	WV350	SV350	HV350
31	Discharge Manifold	1	V351	WV351	SV351	HV351
32	Inlet Housing – Footed	1	V352F	WV352F	SV352F	HV352F
37	Large Clamp Assembly	2	V311		SV311	
38	Small Clamp Assembly	4	V354		SV354	
39	Diaphragm	2	V305TF			
39A	Back-Up Diaphragm	2	V305TFB			
	Gortex Tape Kit		V305TFG Kit (Not Shown)			
40	Valve Seat	4	V356A	V356CS	SV356	HV356
40A	Valve Seat O-Ring	4	V356T			
41	Valve Ball	4	V355TF			
42	Bumper Washer	2	P34-501			



Revised 6/97