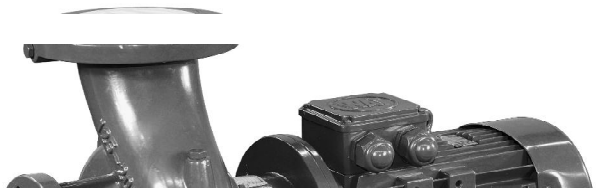


Standart

SNM SNM -V

SNM/SNM-V MONOBLOK CENTRIFUGAL PUMPS

INSTRUCTION for INSTALLATION, OPERATION & MAINTENANCE



Pump Type	:
Serial No	:
Capacity	:m ³ /h
Head	:m
Motor Power	:kW
Speed	:rpm



Instructions for Installation, Operation and Maintenance

Standart Pompa ve Makina San. Tic. A.Ş.

All rights reserved. Can not be copied or reproduced for any purpose without permission.
Subject in the manual can be changed without any prior notice.

Contents

CONTENTS	i
IDENTIFICATION OF SAFETY AND WARNING SYMBOLS	iii
GENERAL INSTRUCTIONS	iii
SAFETY INSTRUCTIONS	iii
A- GENERAL	1
A1- Pump Description	1
A2- Applications	1
A3- Pump Designation	1
A4- Pump Nameplate	1
A5- Technical Data	1
B- UNCRATING, TRANSPORT AND STORAGE	2
B1- Uncrating	2
B2- Transport	2
B2.1- General recommendations	2
B2.2- Lifting	2
B3- Storage	3
C- INSTALLATION ON SITE	3
C1- Preparation For Installation	3
C2- Installation Site	3
C2.1- Foundation	3
C2.2- Installation	3
C3- Connection The Piping	4
C3.1- General	4
C3.2- Suction piping	4
C3.3- Discharge piping	4
C3.4- Auxiliary pipe connections and accessories	4
C3.5- Minimum flow	4
C3.6- Electrical connections	6
C3.7- Final check	7
D- START UP / SHUT DOWN	7
D1- Preparation	7
D1.1- Lubrication control	7
D1.2- Check the shaft seal	7
D1.3- Venting and priming	7
D1.4- Checking the direction of rotation	7
D2- Start Up The Pump	7
D3- Shut Down The Pump	8
D4- Checks To Be Made While The Pump Is Running	8
E- LUBRICATION	8

F-	DISASSEMBLY, REPAIR AND REASSEMBLY	8
	F1- Disassembly	8
	F2- Reassembly	9
	F3- Shaft Seal	9
G-	SPARE PARTS	10
H-	FAULTS, CAUSES AND REMEDIES	10
I-	TIGHTENING TORQUES	12
J-	EXPECTED NOISE VALUES	12
K-	PERMISSIBLE FORCES AND MOMENTS AT THE PUMP FLANGES	13
L-	PUMP DIMENSION GROUPS AND WEIGHTS	14
M1-	SECTIONAL DRAWINGS (VERTICAL INSTALLATION)	17
M2-	SECTIONAL DRAWINGS (FOR MOTOR FRAME SIZE UP TO 200)	18
M3-	SECTIONAL DRAWINGS (FOR MOTOR FRAME ABOVE 200)	19
N-	COUPLING GUARD AND SAFETY GUARD	20

This manual is intended to be a reference guide for users of pumps providing information on

- Pump installation and maintenance instructions,
- Pumps start-up, operation and shut - down procedures.

IDENTIFICATION OF SAFETY AND WARNING SYMBOLS



Safety instructions in this manual which could cause danger to life if not observed.



The presence of a dangerous electric current.

ATTENTION

Non – observance to this warning could damage the machine or affect its functions.

GENERAL INSTRUCTIONS



- This manual should be kept in a safe place and ALWAYS be available to the QUALIFIED operating and maintenance personnel responsible for the safe operation and maintenance of the pumps.

- Qualified personnel should be experienced and knowledgeable of safety standards.
- To avoid faulty operation and malfunctioning of pumps the instructions in this manual are to be CAREFULLY studied and followed at all stages of the pump installation and operating life.
- The user is responsible for ensuring that inspection and installation are carried out by authorized and qualified personnel who have studied this manual carefully.
- The pump should be used ONLY in the operating conditions given on the order for which the pump and materials of the construction have been selected and tested.
- If the pump is to be used for a different application please contact sales office or representative of the manufacturer. STANDART POMPA refuses to assume any responsibility if the pump used for different applications without prior written permission.
- If the pump is not to be installed and operated soon after arrival, it should be stored in a clean and dry place with moderate changes in ambient temperature. Extreme low or high temperatures may severely damage the pump unless suitable precautions are taken. The user is responsible for the verification of the ambient conditions where the pump will be stored or installed.
- STANDART POMPA does not guarantee repairs or alterations done by user or other unauthorized personnel. The use of original spare parts and accessories authorized by manufacturer will ensure safety.
- This manual does not take into account any site safety regulation, which may apply.

SAFETY INSTRUCTIONS



Strictly obey to the following instructions to prevent personal injuries and/or equipment damages:

- Pump should be used only in the specified operating conditions.
- Any weight, stress or strains on the piping system should not be transmitted to the pump.
- Electrical connections on the motor or accessories must always be carried out by authorized personnel and in accordance to the local codes.
- Any work on the pump should be only carried out when the unit has been brought to standstill.
- **Always disconnect the power to the motor and make sure not be switched on accidentally before working on the pump or removing the pump from installation.**
- Any work on the pump should be carried out by at least two persons.
- When approaching the pump always be properly dressed and/or wear safety equipment suitable for the work to be done.
- Do not work on the pump when it is hot.
- Do not touch the pump or piping with temperatures higher than 80 °C. User must take suitable precaution to warn the persons (e.g. using warning signs, barrier).
- Always be careful when working on pumps that handling dangerous liquids (e.g. acids or hazardous fluids).
- Do not work on the pump when the pump and piping connected to the pump are under pressure.
- After completion of the work always fix the safety guards back in places previously removed.
- Do not run the pump in the wrong direction of rotation.
- Do not insert hands or fingers into the pump openings or holes.
- Do not step on the pump and/or piping connected to the pump.

A- GENERAL

A1- Pump Description

- **SNM, SNM-V** series pumps are radially split volute casing, single stage, end suction close-coupled centrifugal pumps with closed impeller and mechanical seals.
- Main dimension of casing complies with EN 733/DIN 24255.

A2- Applications

SNM, SNM-V series pumps are suitable for clean or slightly contaminated (max. 20 mg/dm³) liquids with low viscosities and temperatures up to 110° C. The main application areas, among others, are

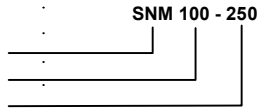
- Water supply, water treatment and irrigation systems,
- Warm water heating, chilled and cooling water systems.
- Water systems for industrial uses,
- Industrial circulating systems,
- Fire fighting
- Power Plants

A3- Pump Designation

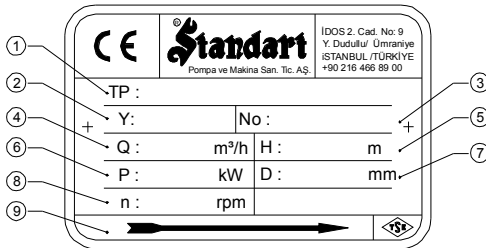
Pump type

Discharge nozzle (DN - mm)

Nominal impeller diameter (mm)



A4- Pump Nameplate



- 1- Pump Type and Size
- 2- Production Year
- 3- Serial No
- 4- Capacity
- 5- Head
- 6- Motor Power
- 7- Impeller Diameter
- 8- Speed
- 9- Direction of Rotation

A5- Technical Data

Speed	: up to 3600 rpm
Discharge Nozzle	: DN 32 up to 150 mm
Suction and discharge Flanges	: ISO 7005 - 2 / PN 16
Operating Temperature	: -10° C up to 110° C
Ambient Temperature (max)	: 40° C
Casing Pressure (max)	: 10 bar
Permissible liquids	: See A2

B- UNCRATING, TRANSPORT AND STORAGE

B1- Uncrating

- Upon receipt verify that the goods received are in exact compliance with that listed on the packing list.
- Check that no visible damage exists on the crate that could have occurred during transportation.
- Carefully remove the packaging material and check that pump and accessories (if any) are free from any markings, stretches and damages, which may have occurred during transportation.
- In the event of damage report this immediately to STANDART POMPA's service department and to the transport company.

B2- Transport

B2.1- General recommendations



- Existing regulations for the prevention of accidents must be followed.
- Wearing of gloves, hard-toed boots and hard hats is obligatory for all transport works.
- Wooden cases, crates, pallets or boxes may be unloaded with fork-lift trucks or using hoisting slings, depending on their size, weight and construction.

B2.2- Lifting

- Prior to lifting and moving the pump or pump and motor on a common base plate find out the following:
 - Total weight and center of gravity
 - Maximum outside dimensions
 - Lifting points location
- The load-bearing capacity must be proper to the weight of the pump or the pump set.
- The pump or pump set must always be raised and transported in horizontal position.
- It is absolutely forbidden to stand beneath or nearby a raised load.
- A load should never remain in a raised position for longer than necessary.
- Accelerating and braking during the lifting process must be performed such that there is no danger to persons.

When lifting the pump set lift them as shown in **Fig.1** to avoid any distortion (especially do not use the motor eyebolt for carrying the complete unit).

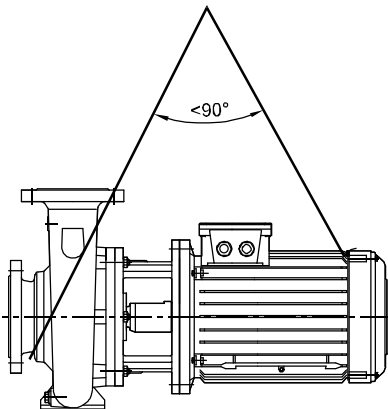


Fig. 1a. SNM Bare shaft pump

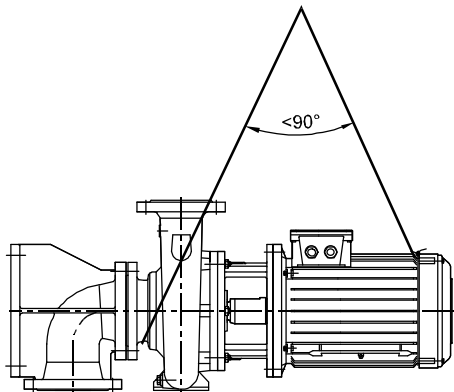


Fig. 1b. SNM-V Bare shaft pump

B3- Storage

- If the pump is not to be installed and operated soon after arrival, store the pump in a clean, dry and frost-free place with moderate changes in ambient temperature.
- To prevent the pump from moisture, dust, dirt and foreign materials suitable steps should be taken.
- The pump shaft should be revolved periodically (e.g. once a week) to prevent pitting of the bearing surfaces and the pump from seizing up.

C- INSTALLATION ON SITE

ATTENTION

Installation has to be carried out in accordance with EN 60204-1.

The pump should only be installed, levelled up and aligned by skilled personnel. Incorrect installation or defective foundation could result in troubles. This would not be covered by the warranty.

C1- Preparation For Installation

Before installing the pump clean the suction and discharge flanges thoroughly.

C2- Installation Site

ATTENTION

- The pump must be installed in a frost and dust-free, well-ventilated and non-explosive environment.
- The pump should be installed such that there is space for access, ventilation, maintenance and there is sufficient space above the pump for it to be lifted.
- The suction pipe should be kept as short as possible.

C2.1- Foundation

ATTENTION

- The greatest care must be taken in preparing the foundation and mounting the pump set. Incorrect installation will result in premature wear of pump components and break down of the pump.
- The foundation should be heavy enough to reduce vibrations and rigid enough to avoid any twisting or misalignment. Make sure the concrete foundation has set firm and solid before mounting the pumpset. The surface of the foundation should be truly horizontal and perfectly flat.

C2.2- Installation

- Place the pumpset on the concrete and by adding or removing shims under the baseplate align the discharge flange horizontally by using a spirit level on it as shown on **Fig.2** Make sure it is completely horizontal.
- Slightly tighten the anchor bolts.
- Check the coupling alignment as explained in section C4.
- Fill in the baseplate with concrete. Make no air left in it and the baseplate is well integrated with concrete foundation.
- Wait until the concrete firmly set (minimum 3 days).
- Tighten the anchor bolts. **CHECK THE COUPLING ALIGNMENT AGAIN**

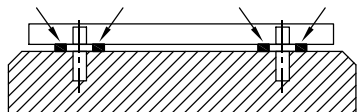


Fig. 2. Foundation, baseplate and fitting the shims

ATTENTION

The pump set is mounted to the baseplate either by pump feet or motor feet. You can find the correct way in Section K, depending on pump and motor sizes (P: Pump feet mounted; M: Motor feet

C5- Connecting The Piping

C5.1- General

ATTENTION

- **Never use the pump as an anchorage point or as a carrier for the piping.**

- The pipes should be supported very near the pump (**Fig. 3**). It must be checked that any weight, stress or strains on the piping system should not be transmitted to the pump. Therefore after completing the piping installation, the bolt and connection on the suction and discharge nozzles must be loosened to ensure that there is not any stress on the piping system to the pump.

- **The nominal sizes of the pump suction and discharge nozzles are no guide to the correct sizes of the suction and discharge piping.** The nominal bores of the pipes should be same as or greater than those of the pump nozzles. Never use pipes or accessories which have smaller bore than the pump nozzles. Particularly foot valves, strainers, filters and non return valves must be preferred with larger free transition areas. In general the flow velocities should not exceed 2 m/s in the suction piping and 3 m/s in the discharge piping. Higher flow velocities will result in higher pressure drops, which could cause cavitation conditions in the suction piping and excessive friction losses in the discharge piping.

- Pipe joints should be by means of flanges with flange gaskets of proper size and material. Flange gasket must be centered between the flange bolts in a such way that there is no interference with the flow of the liquid.

- Thermal expansions of the pipework and excessive vibrations should be accommodated by suitable means so as not to impose any extra load on the pump.

- Prevent impurities such as welding beads, scale, sand and tow might be left in pipes while production of the piping system harms the pump. Seal the pump nozzles by means of blind gasket to stop impurities get in the pump. After assembling the system all the piping parts must be disassembled, thoroughly cleaned, painted and reassembled again. If a strainer is used on the suction side of the pump, it must be cleaned after several days of operation.

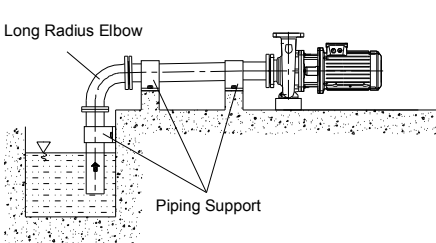


Fig. 3a. Suction Lift

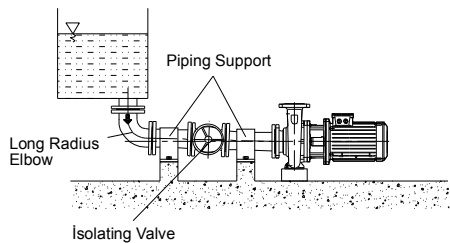


Fig. 3b. Suction Head

C5.2- Suction piping (Fig. 4)

- The suction piping must be absolutely leak-tight and not present any features likely to promote the formation of air pockets. Suction piping therefore should have a slight downward slope towards the pump in the case of suction head installation (e.g. flooded suction) and slight upward slope towards the pump in the case of suction lift installation.

- In order to keep the pipe friction losses as low as possible it is essential to avoid any sharp bends and abrupt changes of direction or cross-section and the suction pipe should be kept as short as possible. If it is necessary to change the cross-section of a piping laid almost horizontal, an eccentric reducer, with top horizontal, should be used.

- A positive suction head piping should incorporate an isolating valve with the valve stem in the horizontal position. This valve should always remain fully open while the pump is running and must not be used to regulate the flow.

C3.3- Discharge piping (Fig. 4)

- A control valve should be installed in the discharge pipe, as close to the pump as possible, to regulate the required flow and head.
- If the total head of the pump exceeds 10 meters or if discharge line is of appreciable length a non return valve should be installed between the pump and isolating valve on the discharge line to protect the pump against water hammer and reverse flow on shut down.

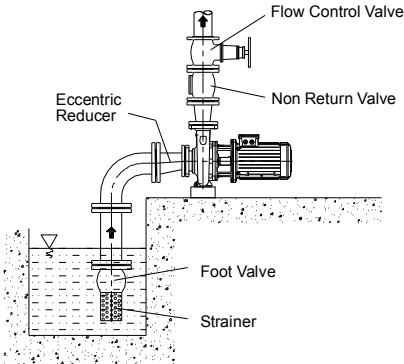


Fig. 4a. Suction Lift

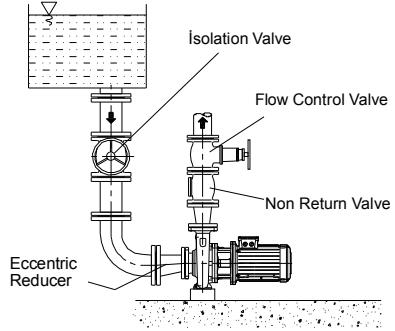


Fig. 4b. Suction Head

C3.4- Auxiliary pipe connections and accessories

- Depending on the application auxiliary pipe connections (for cooling, sealing and flushing of seal, drainage etc. necessary for the pumping system) and/or accessories to check the operating conditions (pressure gages, temperature gages etc.) may be made up and laid.
- Pressure and vacuum gauges must be properly anchored and connected at the measuring points located on the pump flanges by means of or on the pipes close to the flanges approximately 8 mm diameter tubing with pig tail configuration to lessen pressure fluctuation. For safety purposes isolating and vent valves should be fitted before the gages (Fig. 5).
- Every pump is fitted with connections on the pump casing to drain the pump and on the bearing bracket to evacuate the seal leakage from the stuffing box (Fig. 6). If required the pump drain and seal leakage can be piped to a suitable reservoir. The pump draining piping must be fitted with an isolating valve and both must be suitable for the maximum operating pressure of the pump.

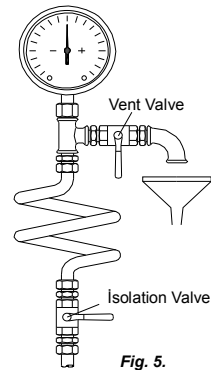


Fig. 5.

- d1 : Pressure gauge (discharge)
- d2 : Pressure gauge (suction)
- d3 : Filling or venting
- d4 : Drain
- d5 : Seal leakage drain

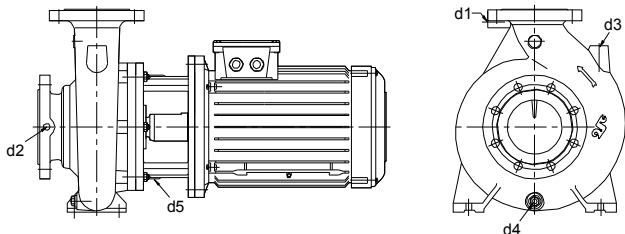


Fig. 6.

C5.5- Minimum flow

If there is a possibility of the pump having to operate at zero flow (against a closed discharge valve) or near the closed valve with almost no flow, then a minimum flow valve (or a by-pass check valve) must be installed on the discharge nozzle or on the discharge piping right after the pump but before the flow regulating valve. In cases where there is no such a valve operating the pump against close valve for a long time causes considerable damage on the pump since almost all the motor power is transformed into thermal energy which is absorbed by the pumped liquid.

C5.6- Electrical connections



- The electrical motors have to be built in accordance with EN 60034-1.
- Enclosures of electrical motors and control systems on the pump unit shall as a minimum give protection in accordance with EN 60529 IP22. But in determining the degree of protection of enclosures of electrical motors and control systems on the pump unit the operating and environmental conditions must be taken into consideration.
- Electrical connection should be done by a qualified electrician. Current national regulation and motor manufacturer's instructions must be observed.
- Take all safety precautions listed in "Safety instructions". Disconnect all power supplies prior to doing any work.
- The supply cable must be laid in such a way that it never touches the pipework, pump and motor casing.
- Check voltage, phase and frequency on motor nameplate with the mains.
- The electric motor must be protected against overloading by means of circuit breakers and/or fuses. Circuit breakers and fuses must be selected in accordance with full load amperage of the motor appearing on the motor rating plate.
- It is recommended to use PTC (passive thermal control) on motor, but this is optional depending on customer requirement. In case of using PTC, these should be connected via corresponding terminals in the terminal box and the PTC should be connected to the thermal trip mechanism.
- Prior to connecting the electrical wiring rotate the pump shaft by hand to make sure rotor rotates easily.
- Connect the electrical wiring in accordance with local electrical codes and make sure to ground the motor.
- The connection diagram can be found in the terminal box of the motor or in the instruction manual.
- The mains connection on the tagboard depends on the nominal power of the motor, the power supply and the type of connection. The necessary connection of the bridges in the terminal box is shown in the following (Table 1. and Fig. 7a, 7b, 7c).

Table 1

Type of switch	Motor Power $P_N \leq 4 \text{ kW}$	Motor Power $P_N > 4 \text{ kW}$
	power supply 3 ~ 400 V	power supply 3 ~ 400 V
direct	Y – connection (7b)	Δ – connection(7a)
Y / Δ - start	Impossible	Remove connecting bridges (7c)

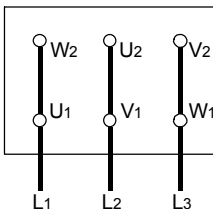


Fig. 7a. Δ - connection

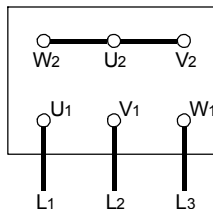


Fig. 7b. Y – connection

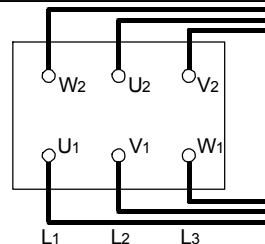


Fig. 7c. Y / Δ - start

ATTENTION In the case of three-phase induction motors with Y – Δ – connection it must be ensured that the change-over points between star and delta follow on from one another very quickly. **Longer change-over times may result in pump damage (Table 2).**

Table 2

Motor Power	Y - set time
≤ 30 kW	< 3 sec
> 30 kW	> 5 sec

C5.7- Final check

- After completion all the above process rotate the pump rotor several times by hand. Make sure rotor rotates easily.
- Fix the safety guards back in places. Do not operate the pump before doing so. This is a necessity for security and job safety.

D- START UP / SHUT DOWN

D1- Preparation

D1.1- Lubrication control

Since the bearings of motor are life-time lubricated type, they are maintenance free.

D1.2- Check the shaft seal (see F3)

D1.3- Venting and priming

- Make sure that the pump and suction pipes are completely filled up with water. There is no problem for the pumps which have positive suction head. If there is a valve on suction line, it must be opened and air taps are loosened to enable the water replaces air in the pump, until it is completely full with water.
- If there is a foot valve for the pump, which has suction lift, pump is filled up with water through the filling tap at the highest point of the pump and the air is emptied out.
- If the system has a vacuum pump, water is brought up in the rising pipe and filled up the pump through this vacuum pump. When water is risen up to the highest point then the pump is started up.

ATTENTION Make sure the pump never runs dry.

D1.4- Checking the direction of rotation

SNM, SNM-V type pumps rotate in clockwise when it is looked from coupling to the pump. This direction is already indicated on the pump nameplate by an arrow. Check this by switching the pump on, then off again immediately. Fit the coupling guard back in place if you took it out.

D2- Start Up The Pump

- Check if the shut off valve in the suction line is open and the shut off valve in discharge line is closed.
- Switch on the circuit breaker and run the motor.
- Wait until the motor reaches the full speed (on star-delta running motors wait until it switches on delta).
- Open the discharge valve slowly while watching the amperemeter on the control panel (if the discharge line is empty do not turn on the valve fully open on first start up. Turn it on slowly to maintain the value on the amperemeter is under the rated current value of the motor).
- When the valve is if fully open, check the pressure on the manometer and see it is the same with the duty point pressure. If the pressure on the pressure gauge is lower than duty point pressure brings them to the duty point value by slightly closing the valve. If it is higher value, check your installation, particularly head again.

ATTENTION The pump should be shut down at once and the trouble should be corrected if the pump is running at its rated speed and found any of the following faults:

- Pump doesn't deliver any water,
- Pump doesn't deliver enough water,
- Flow is going down,
- Discharge pressure is not enough,
- Driver overloaded,
- Vibration on pump,
- High noise level,
- Bearing overheating

D3- Shut Down The Pump

- Slowly close the shut-off valve in the discharge line.
- You may shut down the pump without closing the shut-off valve if there is a device for water hammer protection on the discharge line or the water hammer is not a considerable level.
- Switch off the driver. Ensure the pump set runs down smoothly and quietly to a standstill.
- Shut off external sealing liquid supply, if supplied, to relieve stuffing box pressure.
- If the set is to remain out of services for a long time close the shut-off valve in the suction pipe. Close off the auxiliary connections. In the event of frost and/or prolonged standstill, drain the pump or otherwise protect against freezing.

D4- Checks to be Made While The Pump is Running

- The pump must run smoothly, quietly and free from vibration at all times.
- The pump must never run dry.
- Never run the pump for along period against a closed discharge valve (At zero flow).
- The bearing temperature may exceed the ambient temperature by up to 50° C. But must never rise above 80° C.
- The pump has a mechanical seal, these will experience only minor leakage or no visible leakage during operation. It is maintenance free. If there is considerable leakage from the seal, that means the seal surfaces are worn-out and it needs to be replaced. The operation life of the mechanical seal highly depends on the purity of the water.
- Occasionally check the motor current. Stop motor if the amperage is higher than usual; there may be jamming or friction in the pump. • Make the necessary mechanical and electrical checks.
- Stand-by pumps should be run for a short time at least once a week to ensure they are in constant readiness for operation. Check the integrity of auxiliary connections.

E- LUBRICATION

The bearings of motor are always life-time grease lubricated and then maintenance-free.

ATTENTION

- The bearing temperature may exceed the ambient temperature by up to 50° C. But never rise above 80° C.
- Do not reuse the bearings following disassembly for maintenance purposes.

F- DISASSEMBLY, REPAIR AND REASSEMBLY



- Before starting work on the pumpset, make sure it is disconnected from the mains and can not be switched on accidentally.



- Follow the safety precaution measures outlined in “safety instructions”.

F1- Disassembly

- Close all valves in the suctions and discharge lines, and drain the pump by opening the drain plug (230).
- Remove the safety guard. (See section N for safety guard).
- Detach pump suction and discharge flanges and all auxiliary supply lines if any, disconnect the pump set from the piping system.
- Dismantle the volute casing (001) from the seal cover (046) (Be careful to keep the seal cover (046) in place to avoid any mechanical seal (405) trouble).
- Unscrew the end nuts (065) of the impeller and take out the impeller (050) and impeller key (210). Use rust remover solvent if necessary during dismantling.
- Take out the spacer sleeve (067).
- Pull out the rotating part of the mechanical seal (405).
- Dismantle the seal cover (046) and take out the stationary part of the mechanical seal (405) from the seal cover (046).
- Dismantle the motor pedestal (012).
- Unscrew the set-screws (380) of the pump shaft (060), or alliens of the rigid coupling (085) depending on connection type.
- Pull off the pump shaft (060) from the motor (600) shaft.

F2- Reassembly

- Reassembly proceeds in reverse sequence to disassembly as described in section F1. You may find the attached drawings useful (**see sectional drawing in section M**).
- Coat the seats and screw connections with graphite, silicon or similar slippery substance before reassembly. If you can not find any of the above you may use oil instead (except the pumps for drinking water).
- Never use the old o-rings and make sure the o-rings are the same size as the old ones.

A- For motor frame size up to 200 (See the section M1)

- Place the motor (600) vertical as the shaft end comes to the upper side.
- Assemble the motor pedestal (012) to the motor (600).
- Slip the pump shaft (060) onto the motor shaft.
- Place the stuffing box cover (046) onto the motor pedestal (012)
- Make the alignment of the pump shaft's location to provide the length as per the length "S" given in **section L**. ("S" is the distance between the shaft shoulder and the end of the mechanical seal chamber. **See Fig. 8**). Tighten the set-screws (for the shaft consists of 3 set-screws starting from the one in the middle and for the shaft consists of 2 set-screws start from the one near the motor).
- Place the stationary part of the mechanical seal into the seal chamber.
- Slip the rotating part of the mechanical seal onto the pump shaft (060) and place the spacer sleeve (067).
- Place the impeller key (210) into keyway, slide the impeller (050) onto the shaft (060) and screw the impeller nuts (065).
- Assemble the volute casing (001).
- Place the pump set on the baseplate. Connect suction and discharge pipes. Take the unit into operation as it was indicated in **section D**.

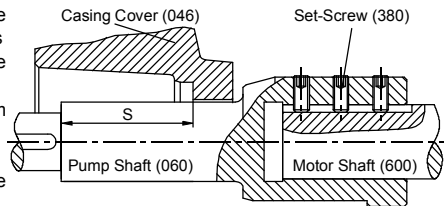


Fig. 8.

B- For motor frame size above 200 (See the section M2)

- Place the motor (600) vertical as the shaft end comes to the upper side.
- Slip the rigid coupling (085) onto the motor shaft put the washer (370) on the rigid coupling (085) and tighten by using imbus head bolt (340). So that the shaft end and the coupling end will be on the same plane (see Fig. 9).
- Tighten the set-screw (380) over the rigid coupling (085).
- Mount the pump shaft (060) to the rigid coupling (085).
- Assemble the motor pedestal (012) to the motor (600).
- Place the stuffing box cover (046) onto the motor pedestal (012).
- Place the stationary part of the mechanical seal into the seal chamber.
- Slip the rotating part of the mechanical seal onto the pump shaft (060) and place the spacer sleeve (067).
- Place the impeller key (210) into keyway, slide the impeller (050) onto the shaft (060) and screw the impeller nuts (065).
- Assemble the volute casing (001).
- Place the pump set on the baseplate. Connect suction and discharge pipes. Take the unit into operation as it was indicated in section D.

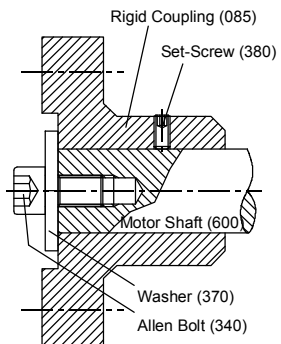


Fig. 9.

F3- Shaft Seal

SNM type pumps are with mechanical shaft seals.

- When operating properly the mechanical seal has no visible leakage. Usually mechanical seals do not require maintenance until leakage is visible but its tightness is to be checked regularly.
- Follow the instructions of mechanical seal manufacturers for the pumps having mechanical seals and **NEVER RUN IT DRY!**
- Mechanical seal diameters are given in **Table 3**.

Table 3

Pump Dimension Group	Mechanical Seal Diameter \varnothing
A	30
B	40
C	50

Note: See **section L** for pump dimension group.

G- SPARE PARTS

- **STANDART POMPA** guarantees to supply the spare parts for SNM type pumps for 10 years. You can provide any spare parts easily.
- Lets us know the following details on the name-plate, when you order spare parts.

Pump Type and Size	: (SNM 125-315)
Motor Power and Speed	: (30 kW – 1450 rpm)
Prod. Year and Serial Number	: (2010 – 1015410)
Capacity and Head	: (200 m ³ /h – 30m)

- If you prefer to have spare parts in your stock, we recommend you to have the following quantities for a two years operation depending on the number of same type of pumps (**Table 4**).

Table 4

Part No	Part Name	Number of Pumps in The System						
		2	3	4	5	6-7	8-9	10+
060	Shaft (Incl. keys)	1	1	2	2	2	3	30%
050	Impeller	1	1	1	2	2	3	30%
020 - 021	Wear rings (if any)	2	2	2	4	4	6	50%
420	O-Rings for Casing	4	6	8	8	9	12	150%
405	Mechanical Seal	2	3	4	5	6	7	40%
067	Spacer Sleeve	1	1	1	3	2	2	20%

H- FAULTS, CAUSES AND REMEDIES

In this section you will find operating faults which may arise, and their causes (**Table 5**), and suggested remedies (**Table 6**).

ATTENTION Before remedying operating faults, check all measuring instruments used for reliability and accuracy.

Table 5

FAULTS	POSSIBLE CAUSES
Pump doesn't deliver any water after start-up	1-5-7-10-11-13
Flow is going down or no flow at all	2-3-8-14
Driver overloaded	9-12-17-18-19-27-28
Bearings overheating	19-20-21-22-24
Vibration on pump	15-16-19-23-25
Noise level is high	4-6-26

Table 6

	POSSIBLE CAUSES	REMEDIES
1	There may be air existing in pump or suction pipe	Fill pump and suction pipe completely with liquid and repeat the priming procedure.
2	Ingress of air through shaft seal, suction pipe or suction port. Pump lifts liquid with air	Check for leaks in suction pipe joints and fittings. Check shaft seal if necessary increase the pressure of sealing liquid. Check the dept of suction pipe or foot valve in the liquid and if necessary increase the depth of them.
3	Air pocket in the suction pipe.	Check the slope of the suction line make sure that there is no reason for formation of air pockets
4	There is air in liquid	Suction pipe is not submerged enough creating vortex. Check liquid level in suction tank or increase the depth of suction pipe or foot valve in the liquid.
5	Too much suction lift	If no obstruction at inlet check the friction losses of suction line, larger piping may correct condition. If static lift is too high, the liquid level in the suction tank must be raised or the pump lowered.
6	Pump is working at cavitation conditions	NPSH available is too low. Check liquid level in suction tank, check suction line for excessive friction losses. Check isolating valve in suction line to make sure it is completely open. If necessary increase suction head on pump by lowering the pump.
7	Insufficient manometric head.	The actual total head is higher than that originally specified. Check the geodetic total head and friction losses in the discharge line. Larger piping may correct the condition. Check that valves are fully open.
8	Increase at total manometric head.	Check that valves are fully open. Check that there is any obstruction in discharge pipe.
9	Pump is operating at lower manometric head.	The actual total head is lower than that originally specified. Machine impeller outer diameter to size advised by supplier.
10	Reverse rotation.	Check motor rotation with directional arrow on pump casing or nameplate.
11	Speed is too low.	Check the supply voltage and frequency or motor may have open phase.
12	Speed is too high.	If possible decrease the pump rotational speed or turn down the impeller outer diameter to size advised by supplier.
13	Impeller or check valve or strainer is clogged.	Clean the impeller or check valve or strainer
14	Impeller or strainer is clogged partially.	Clean the impeller or strainer.
15	Partially clogged impeller.	Clean the impeller.
16	Worn out and defected impeller.	Replace impeller.
17	Mechanical frictions inside the pump.	Check pump rotor for any rotor obstruction or deflection.
18	Excess tightened soft packing.	Loosen the nuts of the packing gland.
19	Bad coupling alignment.	Check the coupling rubber and realign the coupling.
20	Bearing covers are too tight.	Check and make necessary modification on the cover.
21	The pumped flow is less than the minimum flow required.	Increase the flow. If necessary use by-pass recirculating valve or line.
22	Existence of excess grease.	Remove excess grease.
23	Oblique shaft.	Check the shaft and replace it if necessary.
24	Insufficient lubrication or lubricating oil/grease dirty, contaminated.	Check the amount of oil/grease. Clean the bearings and bearing housing and relubricate
25	Unbalanced rotating parts.	Check the balance of the rotating parts.
26	Pump runs out of duty range.	Check the values of operating point.
27	The density or viscosity of the liquid pumped is higher than that originally specified.	Use a more powerful motor.
28	Defects in motor.	Check any motor defects. The motor may not be ventilated properly due to a poor location.

I- TIGHTENING TORQUES

Tightening Torques		
Thread Diameter	Tightening Torque max (N.m)	
	Property Classes	
	8.8	10.9
M4	3.0	4.4
M5	5.9	8.7
M6	10	15
M8	25	36
M10	49	72
M12	85	125
M14	135	200
M16	210	310
M18	300	430
M20	425	610
M22	580	820
M24	730	1050
M27	1100	1550
M30	1450	2100
M33	1970	2770
M36	2530	3560

J- EXPECTED NOISE VALUES

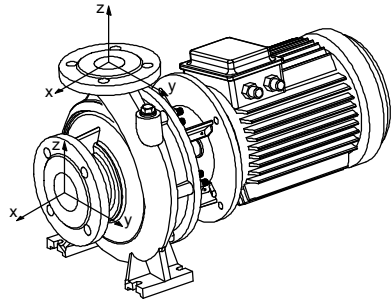
Power of Motor P_N (kW)	Sound pressure level (dB _A) * (Pump with motor)	
	1450 rpm	2900 rpm
< 0.55	60	64
0.75	60	66
1.1	62	66
1.5	63	68
2.2	64	69
3	65	70
4	66	71
5.5	67	73
7.5	69	74
11	70	76
15	72	77
18.5	73	78
22	74	79
30	75	81
37	75	82
45	76	82
55	77	84

(*) Without protective sound hood, measured at a distance of 1 m directly above the driven pump, in a free space above a sound reflecting surface.

K- PERMISSIBLE FORCES AND MOMENTS AT THE PUMP FLANGES

Type	Fv	Fh	ΣF	ΣMt
32-160	1300	950	1600	180
32-200				
40-200				
40-250	1400	1000	1700	200
50-160				
50-200				
50-250	1500	1100	1800	280
50-315				
65-160				
65-200				
65-250				
65-315				
80-200				
80-250	2300	1500	2700	630
80-315				
80-400				
100-200				
100-250	3100	1900	3600	930
100-315				
100-400				
100-400				

Type	Fv	Fh	ΣF	ΣMt
125-200	4200	2600	4900	1400
125-250				
125-315				
125-400	5000	3300	6000	1800
150-200				
150-250				
150-315				
150-400				



* Forces in Newton [N], moments in Newton x Meter [N.m].

** Values are applicable for casing material "Grey Cast Iron (EN-JL-250 / GG25)".

Higher values are permissible for steel construction pumps.

Attention: The real forces and moments which affects on flanges must be satisfied following equations;

$$|F_{z \text{ inlet}}| + |F_{z \text{ outlet}}| \leq F_v$$

$$[(F_{x \text{ inlet}})^2 + (F_{y \text{ inlet}})^2]^{1/2} + [(F_{x \text{ outlet}})^2 + (F_{y \text{ outlet}})^2]^{1/2} \leq F_h$$

$$[(M_{x \text{ inlet}})^2 + (M_{y \text{ inlet}})^2 + (M_{z \text{ inlet}})^2]^{1/2} + [(M_{x \text{ outlet}})^2 + (M_{y \text{ outlet}})^2 + (M_{z \text{ outlet}})^2]^{1/2} \leq M_t$$

$$\left(\frac{\sum |F_v|}{F_{v \text{ max.}}} \right)^2 + \left(\frac{\sum |F_h|}{F_{h \text{ max.}}} \right)^2 + \left(\frac{\sum |M_t|}{M_{t \text{ max.}}} \right)^2 \leq 1$$

Example: Calculations of forces and moments on flanges

Pump Type	Inlet Flange (DN)	Outlet Flange (DN)
SNM 100-250	125	100

Let the forces and moments be given as follows;

Inlet			Outlet			Inlet			Outlet		
F _x (N)	F _y (N)	F _z (N)	F _x (N)	F _y (N)	F _z (N)	M _x (Nm)	M _y (Nm)	M _z (Nm)	M _x (Nm)	M _y (Nm)	M _z (Nm)
200	400	-500	250	0	400	90	100	-170	100	0	85

$$|-500| + |400| = 900 \leq 2200 \text{ N}$$

$$[200^2 + 400^2]^{1/2} + [250^2 + 0^2]^{1/2} = 697 \leq 1300 \text{ N}$$

$$[90^2 + 100^2 + (-170)^2]^{1/2} + [100^2 + 0^2 + 85^2]^{1/2} = 348 \leq 650 \text{ Nm}$$

$$[900 / 2200]^2 + [697 / 1300]^2 + [348 / 650]^2 = 0.74 \leq 1$$

L- PUMP DIMENSION GROUPS AND WEIGHTS

1450 RPM

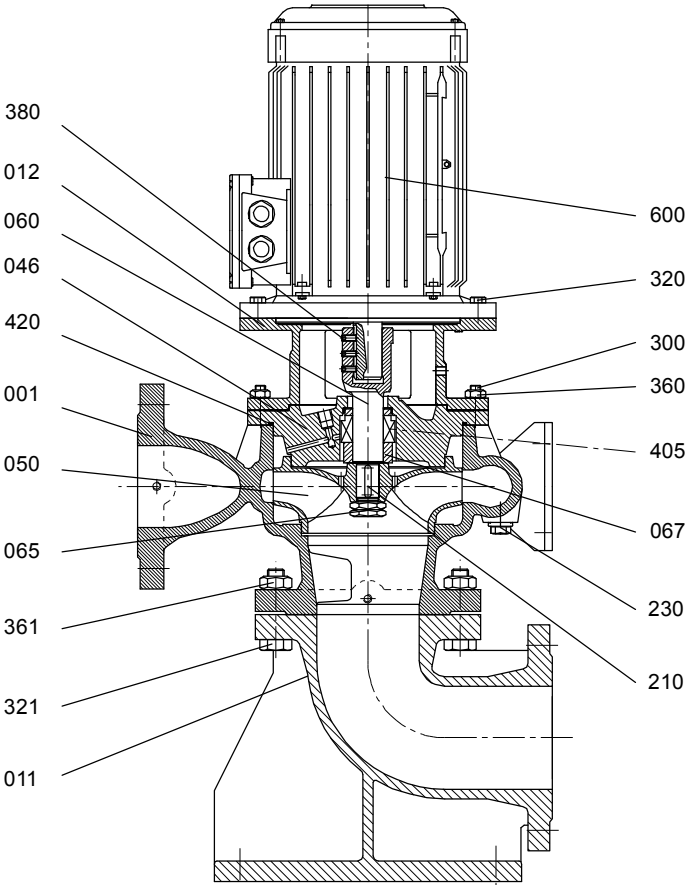
Pump Type	Motor		Horizontal Inst. Form	Dimension Group	S mm	Weight	
	kW	IEC				Horizon. Inst. kg	Vertical Inst. kg
32-125	0,25	71M	P	A	50	39	67
	0,37	71M				40	68
32-160	0,37	71M	P		50	44	72
	0,55	80M				46	74
	0,75	80M				47	75
32-200	0,55	80M	P		50	53	81
	0,75	80M				54	82
	1,1	90S				56	84
32-250	1,1	90S	P		50	66	94
	1,5	90L				68	96
	2,2	100L				76	104
	3	100L				79	107
40-125	0,25	71M	P		50	44	75
	0,37	71M				45	76
	0,55	80M				47	78
40-160	0,55	80M	P		50	48	79
	0,75	80M				49	80
	1,1	90S				51	82
40-200	0,75	80M	P		50	57	88
	1,1	90S				59	90
	1,5	90L				61	92
	2,2	100L				69	100
40-250	1,1	90S	P		50	72	103
	1,5	90L				74	105
	2,2	100L		82		113	
	3	100L		85		116	
40-315	2,2	100L	P	50	91	122	
	3	100L			94	125	
	4	112M			101	132	
	5,5	132S			111	142	
50-125	0,37	71M	P	50	46	77	
	0,55	80M			48	79	
	0,75	80M			49	80	
50-160	0,75	80M	P	50	52	83	
	1,1	90S			54	85	
	1,5	90L			56	87	
50-200	1,1	90S	P	50	62	93	
	1,5	90L			64	95	
	2,2	100L			72	103	
	3	100L			75	106	
50-250	2,2	100L	P	50	85	116	
	3	100L			88	119	
	4	112M			95	126	
	5,5	132S			105	136	
	4	112M			119	157	
50-315	5,5	132S	P	B	129	167	
	7,5	132M			150	188	
	11	160M			175	213	
	0,55	80M			55	93	
	0,75	80M			56	94	
65-125	1,1	90S	P	50	58	96	
	1,1	90S			58	96	
	1,5	90L			60	98	
65-160	2,2	100L	P	50	68	106	
	1,5	90L			70	108	
	2,2	100L			78	116	
65-200	3	100L	P	50	81	119	
	4	112M			88	126	
	3	100L			100	138	
	4	112M			107	145	
65-250	5,5	132S	P	55	117	155	
	7,5	132M			138	176	
	5,5	132S			117	155	
	7,5	132M			138	176	
	11	160M			163	201	
65-315	15	160L	P	55	177	215	
	11	160M			208	-	
	15	160L			222	-	
65-400	18,5	180M	P	B	251	-	
	22	180L			259	-	
	30	200L			311	-	
	30	200L			311	-	

Pump Type	Motor		Horizontal Inst. Form	Dimension Group	S mm	Weight	
	kW	IEC				Horizon. Inst. kg	Vertical Inst. kg
80-160	1,5	90L	P	A	50	67	110
	2,2	100L				75	118
	3	100L				80	123
80-200	3	100L	P	B	55	97	140
	4	112M				104	147
	5,5	132S				114	157
80-250	4	112M	P	B	55	118	161
	5,5	132S				128	171
	7,5	132M				149	192
	11	160M				174	217
80-315	7,5	132M	P	B	55	175	218
	11	160M				200	243
	15	160L				214	257
	18,5	180M				243	286
80-400	18,5	180M	P	C	60	274	-
	22	180L				282	-
	30	200L				334	-
	37	225S				384	-
	3	100L				103	167
100-160	4	112M	P	B	55	110	174
	5,5	132S				120	184
	3	100L				111	175
100-200	4	112M	P	B	55	118	182
	5,5	132S				128	192
	7,5	132M				149	213
	5,5	132S				137	201
100-250	7,5	132M	P	B	55	158	222
	11	160M				183	247
	15	160L				197	261
	11	160M				207	271
100-315	15	160L	P	B	55	221	285
	18,5	180M				250	314
	22	180L				258	322
	30	200L				310	374
	22	180L				306	-
100-400	30	200L	P	C	60	358	-
	37	225S				408	-
	45	225M				445	-
	55	250M				470	-
	7,5	132M				157	237
	11	160M				182	262
125-200	15	160L	P	B	55	196	276
	11	160M				198	278
	15	160L				212	292
125-250	18,5	180M	P	B	55	241	321
	22	180L				249	329
	15	160L				249	329
	18,5	180M				278	358
125-315	22	180L	P	C	55	286	366
	30	200L				338	418
	37	225S				388	468
	37	225S				413	-
	45	225M				450	-
125-400	55	250M	P	C	60	475	-
	11	160M				221	336
	15	160L				235	350
150-200	18,5	180M	P	B	65	264	379
	15	160L				265	380
	18,5	180M				294	409
150-250	22	180L	P	B	55	302	417
	30	200L				354	469
	22	180L				306	421
	30	200L				358	473
150-315	37	225S	P	C	60	408	523
	45	225M				445	560
	45	225M				472	-
150-400	55	250M	P	C	60	497	-

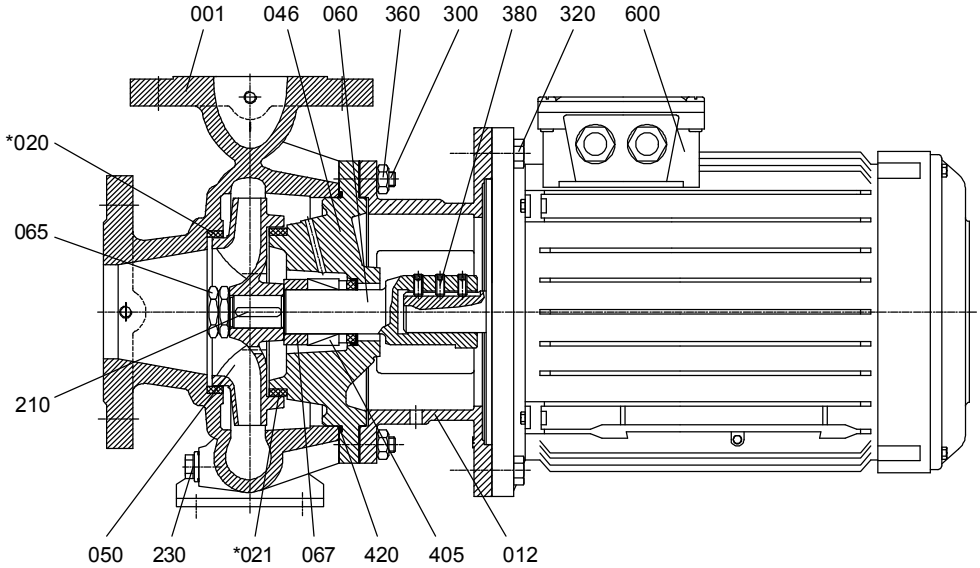
Pump Type	Motor		Horizontal Inst. Form	Dimension Group	S mm	Weight	
	kW	IEC				Horizon. Inst. kg	Vertical Inst. kg
32-125	1.1	80M	P	A	50	43	71
	1.5	90S				46	74
	2.2	90L				48	76
	3	100L				55	83
32-160	3	100L	P		50	59	87
	4	112M				67	95
	5.5	132S				69	97
	7.5	132S				74	102
32-200	5.5	132S	P		50	76	104
	7.5	132S				81	109
	11	160M				125	153
32-250	7.5	132S	P		50	91	119
	11	160M				135	163
	15	160M				142	170
40-125	2.2	90L	P		50	53	84
	3	100L				60	91
	4	112M				68	99
	5.5	132S				70	101
40-160	4	112M	P		50	69	100
	5.5	132S				71	102
	7.5	132S		76		107	
40-200	11	160M	M	50	120	151	
	7.5	132S			84	115	
	11	160M			128	159	
40-250	15	160M	P	50	135	166	
	11	160M			141	172	
	15	160M			148	179	
	18.5	160L			163	194	
	22	180M			186	217	
50-125	3	100L	P	50	223	254	
	4	112M			61	92	
	5.5	132S			69	100	
	7.5	132S			71	102	
50-160	5.5	132S	P	50	76	107	
	7.5	132S			74	105	
	11	160M			79	110	
50-200	11	160M	M	50	123	154	
	15	160M			131	162	
	18.5	160L			138	169	
	22	180M			153	184	
50-250	18.5	160L	P	50	176	207	
	22	180M			166	197	
	30	200L			189	220	
	37	200L			226	257	
65-125	4	112M	P	50	245	276	
	5.5	132S			76	114	
	7.5	132S			78	116	
	11	C132M			83	121	
65-160	11	160M	M	50	103	165	
	15	160M			127	165	
	18.5	160L			134	172	
65-200	18.5	160L	P	50	149	187	
	22	180M			159	197	
	30	200L			182	220	
65-250	30	200L	M	50	219	257	
	22	180M			201	239	
	30	200L			238	276	
	37	200L			257	295	
	45	225M			299	337	
80-160	55	250M	P	50	333	371	
	11	160M			134	177	
	15	160M			141	184	
	18.5	160L			156	199	
80-200	22	180M	M	55	179	222	
	22	180M			198	-	
	30	200L			235	-	
	37	200L			254	-	
	45	225M			296	-	

Pump Type	Motor		Horizontal Inst. Form	Dimension Group	S mm	Weight	
	kW	IEC				Horizon. Inst. kg	Vertical Inst. kg
80-250	37	200L	M	B	55	268	-
	45	225M				310	-
	55	250M				344	-
100-160	30	200L	M		55	241	-
	37	200L				260	-
	45	225M				302	-
100-200	30	200L	M		55	249	-
	37	200L				268	-
	45	225M				310	-
	55	250M				344	-
100-250	45	225M	M		55	319	-
	55	250M				353	-

M1- SECTIONAL DRAWINGS (VERTICAL INSTALLATION)



M2- SECTIONAL DRAWINGS (FOR MOTOR FRAME SIZE UP TO 200)

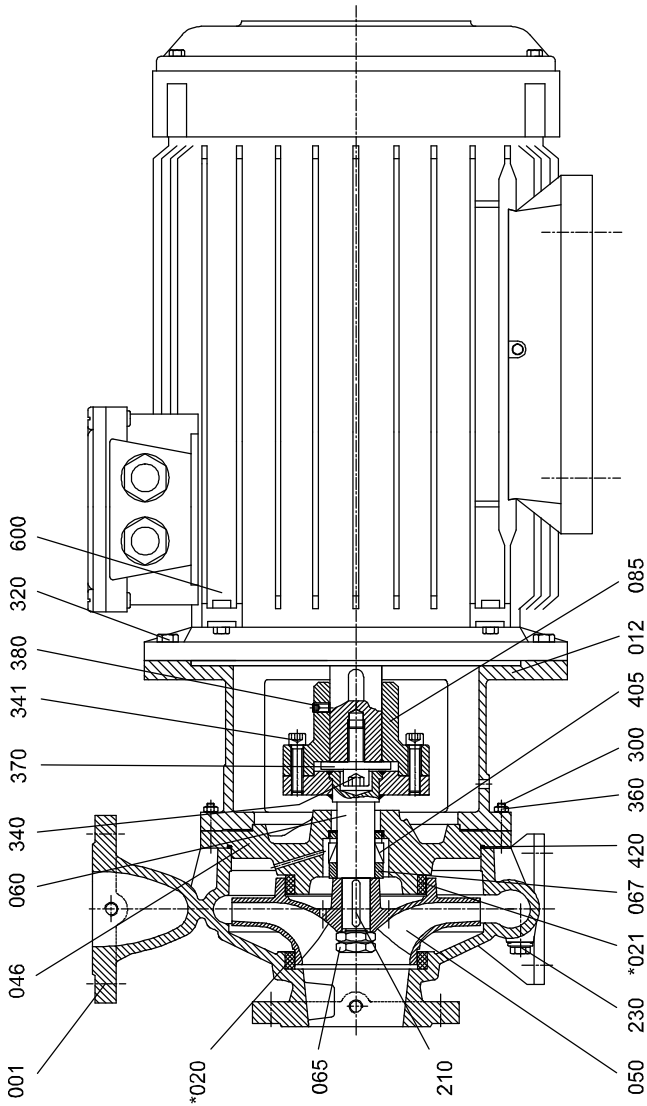


PARTS LIST

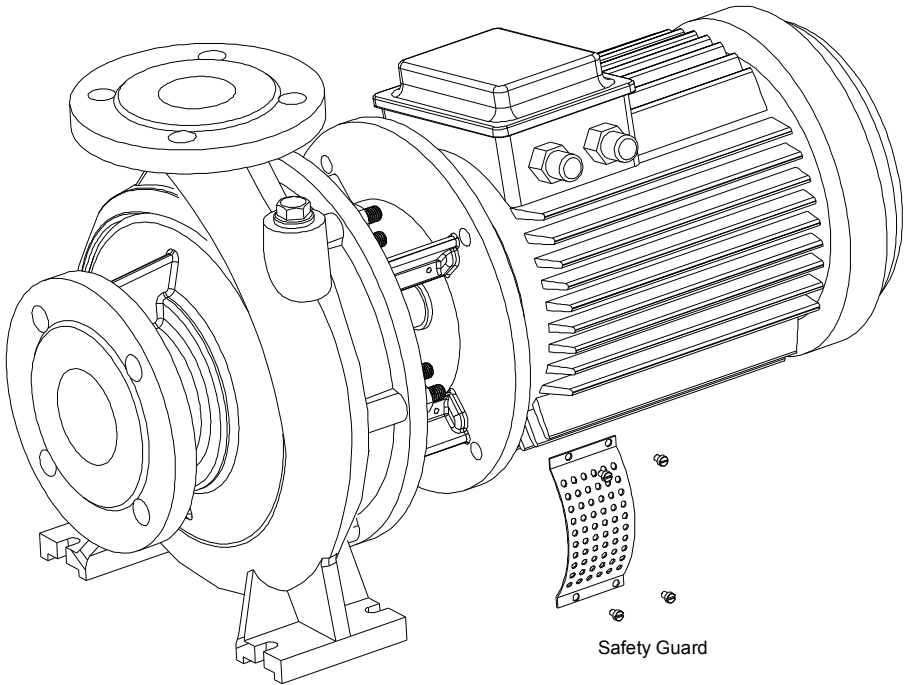
001	Volute Casing	300	Stud
011	Suction Elbow	320	Hex. Head Bolt
012	Motor Pedestal	321	Hex. Head Bolt
*020	Wear Ring (Casing)	340	Allen Bolt
*021	Wear Ring (Casing Cover)	341	Allen Bolt
046	Casing Cover	360	Hex. Nut
050	Impeller	361	Hex. Nut
060	Pump Shaft	370	Washer
065	Impeller Nut	380	Set-Screw
067	Sepecer Sieve	405	Mechanical Seal
085	Rigid Coupling	420	O-Ring
210	Impeller Key	600	Electric Motor
230	Draing Plug		

* Optional

M3- SECTIONAL DRAWINGS (FOR MOTOR FRAME ABOVE 200)



N- COUPLING GUARD AND SAFETY GUARD



Safety Guard

Note: All guards are conforming to EN 294.

EC DECLARATION OF CONFORMITY

Products: Pumps of type **SNM** with motor

Manufacturer:

Standart Pompa ve Makina San. Tic. A.Ş.

Organize San. Bölgesi 2. Cad. No:9

34775 Esenkent / Ümraniye / İSTANBUL / TURKEY

t: +90 216 466 89 00 f: +90 216 499 05 59

www.standartpompa.com / info@standartpompa.com

The manufacturer herewith declares that the described products meet the essential requirements of **Machinery Directive 2006/42/EC and Low Voltage Directive 2006/95/EC.**

Harmonised standards applied are;

- EN 809

- EN ISO 12100-1

- EN ISO 14121-1

- EN ISO 12100-2

- EN 60204-1



Şeref T. ÇELEBİ
General Vice Manager
İstanbul, 12th January 2011

The product is marked with **CE** on its name plate.

MANUFACTURER DECLARATION OF CONFORMITY

Products: Pumps of type **SNM** (bareshaft)

Manufacturer:

Standart Pompa ve Makina San. Tic. A.Ş.

Organize San. Bölgesi 2. Cad. No:9

34775 Esenkent / Ümraniye / İSTANBUL / TURKEY

t: +90 216 466 89 00 f: +90 216 499 05 59

www.standartpompa.com / info@standartpompa.com

The manufacturer herewith declares that the described products meet the essential requirements of **Machinery Directive 2006/42/EC.**

Before the pump is put into operation, the machinery unit in which the pump is functioning to be declared in conformity to relevant regulations.

Harmonised standards applied are;

- EN 809

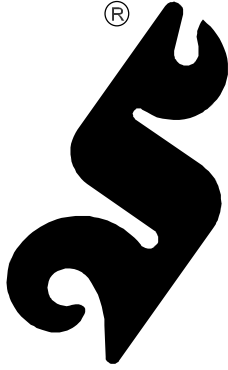
- EN ISO 12100-1

- EN ISO 14121-1

- EN ISO 12100-2



Şeref T. ÇELEBİ
General Vice Manager
İstanbul, 12th January 2011



Standart
POMPA ve MAKİNA SANAYİ TİC. A.Ş.

www.standartpompa.com / e-mail: info@standartpompa.com.tr

Fabrika - Merkez

İdos Organize Sanayi Bölgesi
2.Cad No:9 34775
İstanbul - TÜRKİYE
Pbx: +90 216 466 89 00
Fax: +90 216 415 88 60

Servis ve Yedek Parça

İdos Organize Sanayi Bölgesi
2.Cad No:9 34775
İstanbul - TÜRKİYE
Pbx: +90 216 466 89 00
Fax: +90 216 466 89 13