



## **SPARE PARTS LIST**

# **SELF PRIMING DIAPHRAGM PUMP**

# **1.4"**



# **CONTRACTOR AND INDUSTRIAL VERSION**

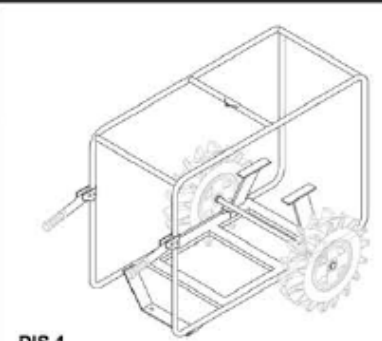
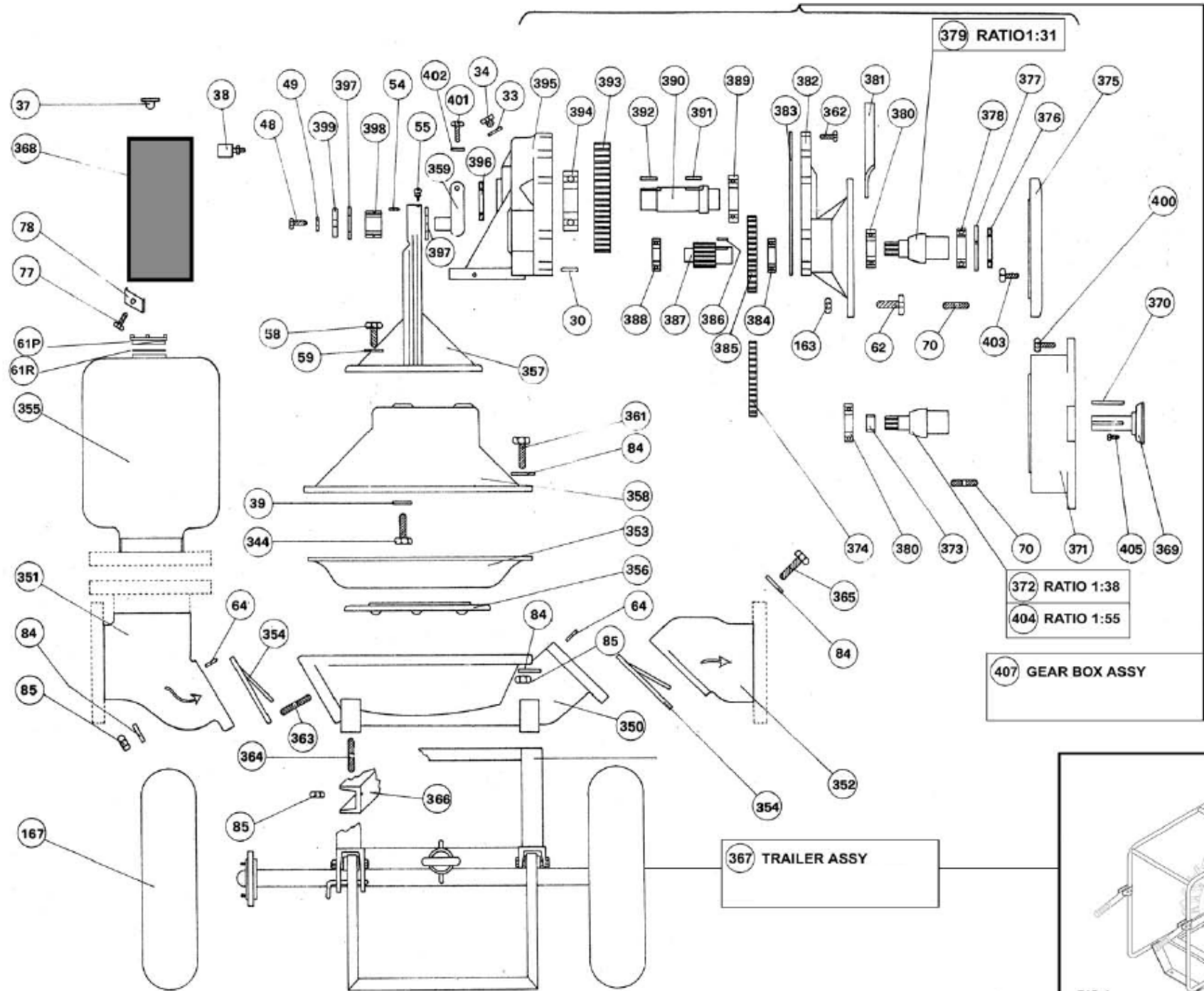


FIG	PART NUMBER	DESCRIPTION
30	030L06301	DOWEL PIN GEAR BOX
33	033L05332	WASHER FOR OIL FIELD PLUG
34	034L0102	OIL FIELD PLUG
37	037L70376	PLUG FOR PLASTIC PROTECTION
38	038L33381	AIR DISCHARGE VALVE
39	039L05393	WASHER
48	048L01484	BOLT CLAMPING COVER
49	049L05495	WASHER FOR BOLT
54	054L06542	DOWEL PIN WASHER
55	055L33552	GREASE NIPPLE
58	058L01586	BOLT FASTENING DIAPHRAGM
59	059L05597	WASHER FOR BOLT
61R	061L43	O RING FOR BRONZE PLUG
61P	061L44	1"BRONZE PLUG
62	062L01627	BOLT FASTENING BRANCHES
64	064L06643	DOWEL PIN FOR BRANCHES
70	070L01708	STUD FASTENING PUMP CASE
77	077L01779	SCREW FASTENING PROTECTION
78	078L31782	PLATE FOR PROTECTION
84	084L05849	WASHER
85	085L07851	NUT
163	163L71637	NUT
167	167L271673	PNEUMATIC WHEEL FOR TRAILER
167	167L271674	PNEUMATIC WHEEL FOR WRAPAROUND
344	344L13441	BOLT
350	350L11	PUMP CASE ALUMINIUM
350	350L12	PUMP CASE ANTICORODAL
350	350L13	PUMP CASE CAST IRON
350	350L14	PUMP CASE SS AISI 304
350	350L15	PUMP CASE SS AISI 316
350	350L16	PUMP CASE RILSAN COATED
350	350L18	PUMP CASE BLU ARMOR COATED
351	351L11	SUCTION BRANCH THREAD 4"BSP ALUMINIUM
351	351L102	SUCTION BRANCH THREAD 4"BSP ANTICORODAL
351	351L103	SUCTION BRANCH THREAD 4"BSP CAST IRON
351	351L21	SUCTION BRANCH THREAD 4"NPT ALUMINIUM
351	351L106	SUCTION BRANCH FLANGED DIA100PN10 ALUMINIUM
351	351L107	SUCTION BRANCH FLANGED DIA100PN10 ANTICORODAL
351	351L109	SUCTION BRANCH FLANGED DIA100PN10 AISI 304
351	351L110	SUCTION BRANCH FLANGED DIA100PN10 AISI 316
351	351L111	SUCTION BRANCH FLANGED DIA100PN10 RILSAN COATED
351	351L113	SUCT.BRANCH FLANGED DIA100PN10 BLUEARMOR COATED

352	352L11	DELIVERY BRANCH THREAD 4"BSP ALUMINIUM
352	352L102	DELIVERY BRANCH THREAD 4"BSP ANTICORODAL
352	352L103	DELIVERY BRANCH THREAD 4"BSP CAST IRON
352	352L21	DELIVERY BRANCH THREAD 4"NPT ALUMINIUM
352	352L106	DELIVERY BRANCH FLANGED DIA100PN10 ALUMINIUM
352	352L107	DELIVERY BRANCH FLANGED DIA100PN10 ANTICORODAL
352	352L109	DELIVERY BRANCH FLANGED DIA100PN10 AISI 304
352	352L110	DELIVERY BRANCH FLANGED DIA100PN10 AISI 316
352	352L111	DELIVERY BRANCH FLANGED DIA100PN10 RILSAN COATED
352	352L113	DELIVERY BRANCH FLANGED DIA100PN10 BLUEARMOR COATED
353	353L13531	NEOPRENE DIAPHRAGM
353	353L13532	NITRILIC RUBBER DIAPHRAGM
353	353L13533	HYPALON DIAPHRAGM
353	353L13534	DUTRAL DIAPHRAGM
353	353L13535	NON TOXIC DIAPHRAGM
353	353L13536	VITON DIAPHRAGM
354	354L11	NEOPRENE VALVE
354	354L12	NITRILIC RUBBER VALVE
354	354L13	HYPALON VALVE
354	354L14	DUTRAL VALVE
354	354L15	NON TOXIC VALVE
354	354L16	VITON VALVE
355	355L1064	AIR CHAMBER THREADED STEEL STRIP WITH 1"HOLE FOR PLUG
355	355L1065	AIR CHAMBER FLANGED STEEL STRIP WITH 1"HOLE FOR PLUG
355	355L11	AIR CHAMBER THREADED STEEL STRIP WITH BRONZE PLUG
355	355L140	AIR CHAMBER FLANGED STEEL STRIP WITH BRONZE PLUG
355	355L15	AIR CHAMBER FLANGED S.S.AISI 304 (VERSION WITHOUT PLUG)
355	355L16	AIR CHAMBER FLANGED S.S.AISI 316 (VERSION WITHOUT PLUG)
355	355L17	AIR CHAMBER FLANGED RILSAN COATED (VERSION WITHOUT PLUG)
355	355L18	AIR CHAMBER FLANGED BLUE ARMOR COATED (VERSION WITHOUT PLUG)
355	355L13552	CAST IRON THREADED PLUG
356	356L11	DIAPHRAGM LOOKING FLANGE ALUMINIUM
356	356L12	DIAPHRAGM LOOKING FLANGE ANTICORODAL
356	356L13	DIAPHRAGM LOOKING FLANGE CAST IRON
356	356L14	DIAPHRAGM LOOKING FLANGE S.S.AISI 304
356	356L15	DIAPHRAGM LOOKING FLANGE S.S.AISI 316
356	356L16	DIAPHRAGM LOOKING FLANGE RILSAN COATED
356	356L17	DIAPHRAGM LOOK.FLANGE BLUEARMOR COATED
357	357L11	ALUMINIUM CONNECTING ROD
357	357L13	CAST IRON CONNECTING ROD
358	358L11	MOUNTING CASE ALUMINIUM
359	359L11	CRANK
361	361L13611	BOLT

362	362L13621		BOLT	
363	363L13631		STUD	
364	364L13641		STUD	
365	365L13651		BOLT	
366	366L11		SKID BASE FOR ELETRIC MOTOR	
366	366L13H		STATIONNARY FRAME FOR DIESEL ENGINE 1B30	
367	367L12		TRAILER WITH PNEUMATIC WHEELS AND DRAWBAR FOR PUMP DIESEL ENGINE LOMBARDINI 6LD325/C	
367	367L13		TRAILER WITH PNEUMATIC WHEELS AND DRAWBAR FOR PUMP DIESEL ENGINE HATZ 1D41	
367	367L14		TRAILER WITH PNEUMATIC WHEELS AND DRAWBAR FOR PUMP WITH ELECTRIC MOTOR	
367	367L15		TRAILER WITH PNEUMATIC WHEELS AND DRAWBAR FOR PUMP WITH PETROL ENGINE (MODEL TO SPECIFY)	
367	367L54		WRAPAROUND WITH PNEUMATIC WHEELS FOR PUMP WITH DIESEL ENGINE 1B30	
367	367L54/GX270		WRAPAROUND WITH PNEUMATIC WHEELS FOR HONDA GX270	
367	367L54/TPH		WRAPAROUND WITH PNEUMATIC WHEELS AND TWO HANDLES FOR ELECTRIC MOTOR	
367	367L55		WRAPAROUND WITH PNEUMATIC WHEELS FOR LOMBARDINI 15LD315	
368	368L13682		PLASTIC PROTECTION	
369	369L13691		SHAFT FOR HATZ ES79	
370	370L13701		KEY	
371	371L11		ADAPTER COUPLING HATZ ES79	
371	371L12		ADAPTER COUPLING NEMA C184TC	
371	371L16		ADAPTER COUPLING HONDA GX270 R	
371	371L17		ADAPTER COUPLING SAE 609 B – 1" SHAFT FOR HATZ 1B30/1D41/ LOMBARDINI LGA280/HONDA GX270QX	
372	372L11		PINION 1/38 D.25,4 HATZ/INTERMOTOR	
372	372L12		PINION 1/38 NEMA C184TC	
372	372L13		PINION 1/38 D.20 mm. HONDA GX160/270	
372	372L14		PINION 1/38 D.22 mm. HONDA GX160/270	
372	372L15		PINION 1/38 D.25 mm. ROBIN DY27B	
372	372L16		PINION 1/38 D.28 mm. ELECTRIC MOTOR E.SIZE 100 3 KW	
373	373L13731		INTERNAL RING FOR PINION 1/38 - 1/55	
374	374L11		GEAR 1/38	
374	374L12		GEAR 1/55	
375	375L11		ADAPTER COUPLING FOR LOMBARDINI 6LD325C	
375	375L12		ADAPTER COUPLING FOR PETTER AD1	
375	375L13753		ADAPTER COUPLING ROBIN DY27B	
376	376L13761		OIL SEAL RING	
377	377L13771		SEEGER	
378	378L13781		BEARING	
379	379L11		PINION 1/31 D.25,4 LOMBARDINI 6LD325C	
379	379L12		PINION 1/31 D.28 mm. ELECTRIC MOTOR E.SIZE 100 3 KW	

380	380L13801		BEARING	
381	381L13811		LIFTING HOOK	
382	382L11		COVER REDUCTION GEAR ALUMINIUM	
383	383L13831		GASKET	
384	384L13841		BEARING	
385	385L11		GEAR 1/31	
386	386L13861		KEY	
387	387L11		SHAFT WITH GEAR FOR RATIO 1/31 OR 1/38	
387	387L12		SHAFT WITH GEAR FOR RATIO 1/55	
388	388L13881		BEARING	
389	389L11		BEARING	
390	390L11		SHAFT	
391	391L13911		KEY	
392	392L13921		KEY	
393	393L11		GEAR FOR RATIO 1/31 OR 1/38	
393	393L12		GEAR FOR RATIO 1/55	
394	394L13941		BEARING	
395	395L11		GEAR BOX CASE ALUMINIUM	
396	396L13961		OIL SEAL RING	
397	397L11		WASHER	
398	398L13981		NEEDLE BUSHING	
399	399L13991		CONNECTING ROD COVER	
400	400L14001		BOLT	
401	401L14011		BOLT FOR CRANK	
402	402L14021		WASHER	
403	403L14031		BOLT	
404	404L11		PINION 1/55 D. 28 mm. FOR ELECTRIC MOTOR 100/112 SIZE 4 KW	
404	404L12		PINION 1/55 D. 25,4 mm. FOR PETROL OR DIESEL ENGINE	
405	405L14051		BOLT	
407	407L11		ALUMINIUM GEAR BOX ASSY 1/31 FOR DIESEL ENGINE LOMBARDINI 6LD325C	
407	407L12		ALUMINIUM GEAR BOX ASSY 1/31 FOR ELECTRIC MOTOR SIZE 100 – 1450 RPM – 3 KW	
407	407L12/US		ALUMINIUM GEAR BOX ASSY 1/38 FOR NEMAC184TC	
407	407L13		ALUMINIUM GEAR BOX ASSY 1/38 FOR ENGINES AT 1900 RPM HATZ/LOMBARDINI/HONDA WITH SHAFT D. 25, 4 mm.	
407	407L15		ALUMINIUM GEAR BOX ASSY 1/38 FOR ELECTRIC MOTOR SIZE 100 – 1450 RPM – 3KW	
407	407L16		ALUMINIUM GEAR BOX ASSY 1/38 FOR ROBIN DY27B SHAFT D. 25 mm.	
407	407L17		ALUMINIUM GEARBOX ASSY 1/55 FOR ENGINES AT 3000 RPM HATZ/LOMBARDINI/HONDA WITH SHAFT D. 25, 4 mm.	
407	407L18		ALUMINIUM GEAR BOX ASSY 1/55 FOR ELECTRIC MOTOR SIZE 100/112 – 2900 RPM – 4 KW	