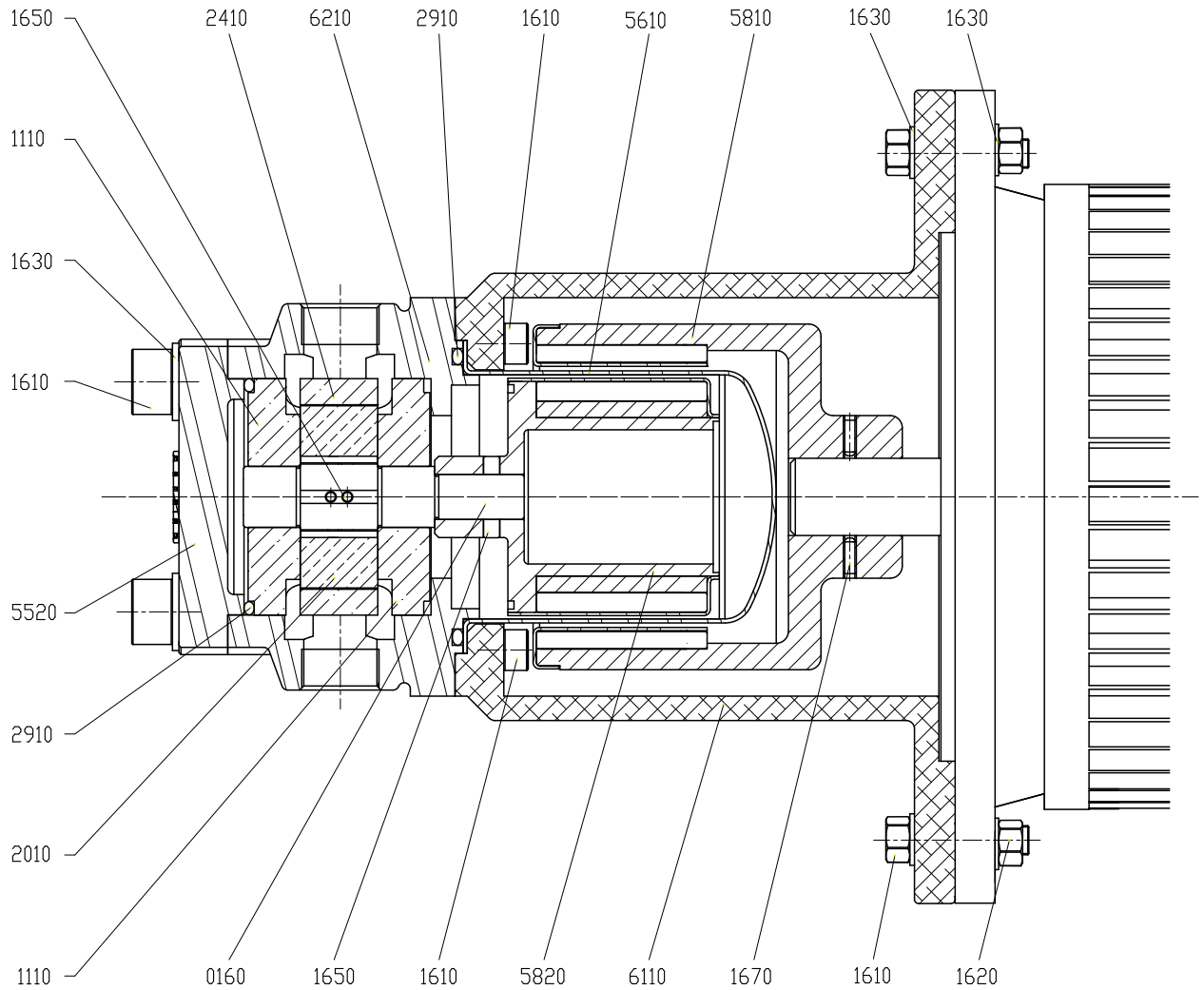


**CROSS**  
**SECTION AND PART LIST**  
 SERIE/PUMP SERIES: VA/VB/VM IN LINE



N°	DESCRIPTION
0160	Rotor
1110	Disc
1610	Screw
1620	Nut
1630	Washer
1650	Pins
2010	Vanes
2410	Stator
2910	O-Ring
5520	Pump Casing Cover
1670	Exagon Socket Set Screw
5610	Rear Casing
5810	External Magnet
5820	Internal Magnet
6110	Bracket
6210	Pump Casing