

Figure 1 - Single Seal

PART LIST FIG. 1

ITEM	Q.TY		DESCRIPTION
1	1		Seal cover
2	1		Front cover
3	1		Main body
4	1		Back cover without valve
5	1		Driving shaft
6	1		Driven shaft
7	1		Driving gear
8	1		Driven gear
9	4		Bush
10	1		Mechanical seal
13	1		Spring ring (optional)
14	1		Ball bearing (optional)
15	4 (6)		Socket head screw
16	3		Socket head screw
17	2		Dowel pin
22	2		Gear feather key
23	1		Feather key
24	2		O-ring
25	2		Spring clip
26	1		O-ring
27	1		Adapting flange
28	4		Socket head screw
29	1		Grub screw

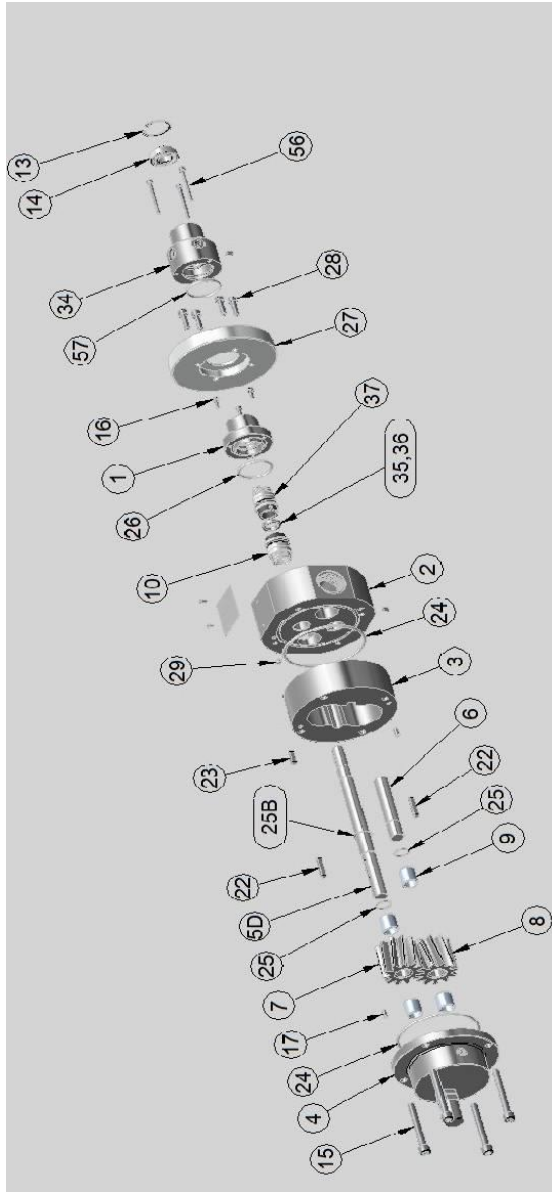


Figure 2 - Double Back-to-Back Seals

PART LIST FIG. 2

ITEM	Q.TY	DESCRIPTION
1	1	Seal cover
2	1	Front cover
3	1	Main body
4	1	Back cover without valve
5	1	Driving shaft
6	1	Driven shaft
7	1	Driving gear
8	1	Driven gear
9	4	Bush
10	1	Inner mechanical seal
13	1	Spring ring (optional)
14	1	Ball bearing (optional)
15	4 (6)	Socket head screw
16	3	Socket head screw
17	2	Dowel pin
22	2	Gear feather key
23	1	Feather key
24	2	O-ring
25	2	Spring clip
25B	1	Seeger ring
26	1	O-ring
27	1	Adapting flange
28	4	Socket head screw
29	1	Grub screw
34	1	Double mechanical seal cover
35	1	Ring
36	1	Grub screw
37	1	Outer mechanical seal
56	3	Socket head screw
57	1	O-ring

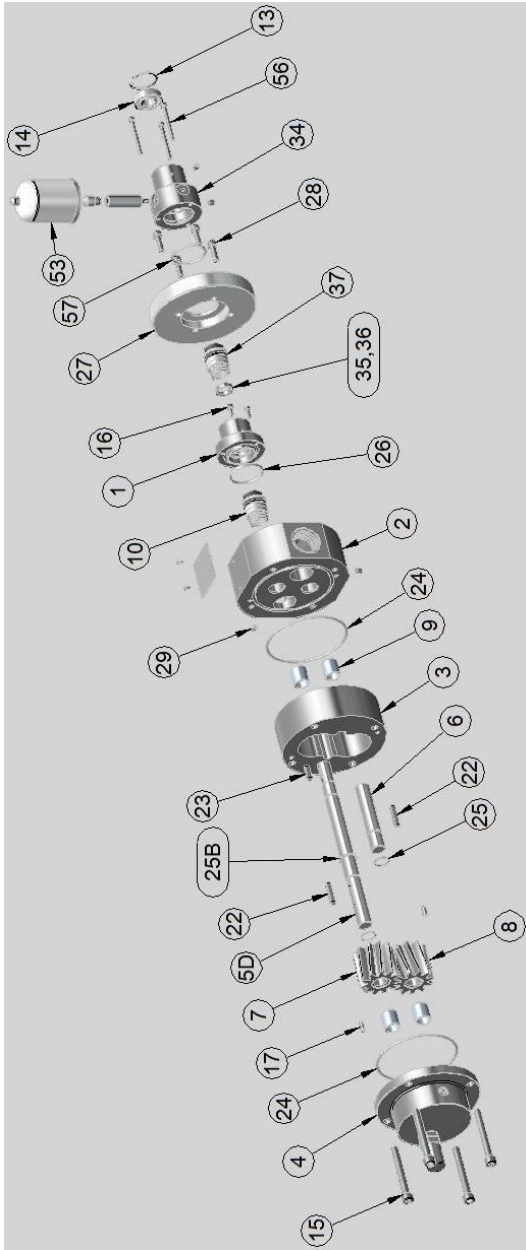


Figure 3 - Double Tandem Seals

PART LIST FIG. 3

ITEM	Q.TY	DESCRIPTION
1	1	Seal cover
2	1	Front cover
3	1	Main body
4	1	Back cover without valve
5	1	Driving shaft
6	1	Driven shaft
7	1	Driving gear
8	1	Driven gear
9	4	Bush
10	1	Inner mechanical seal
13	1	Spring ring (optional)
14	1	Ball bearing (optional)
15	4 (6)	Socket head screw
16	3	Socket head screw
17	2	Dowel pin
22	2	Gear feather key
23	1	Feather key
24	2	O-ring
25	2	Spring clip
25B	1	Seeger ring
26	1	O-ring
27	1	Adapting flange
28	4	Socket head screw
29	1	Grub screw
34	1	Double mechanical seal cover
35	1	Ring
36	1	Grub screw
37	1	Outer mechanical seal
53	1	Flushing pot
56	3	Socket head screw
57	1	O-ring

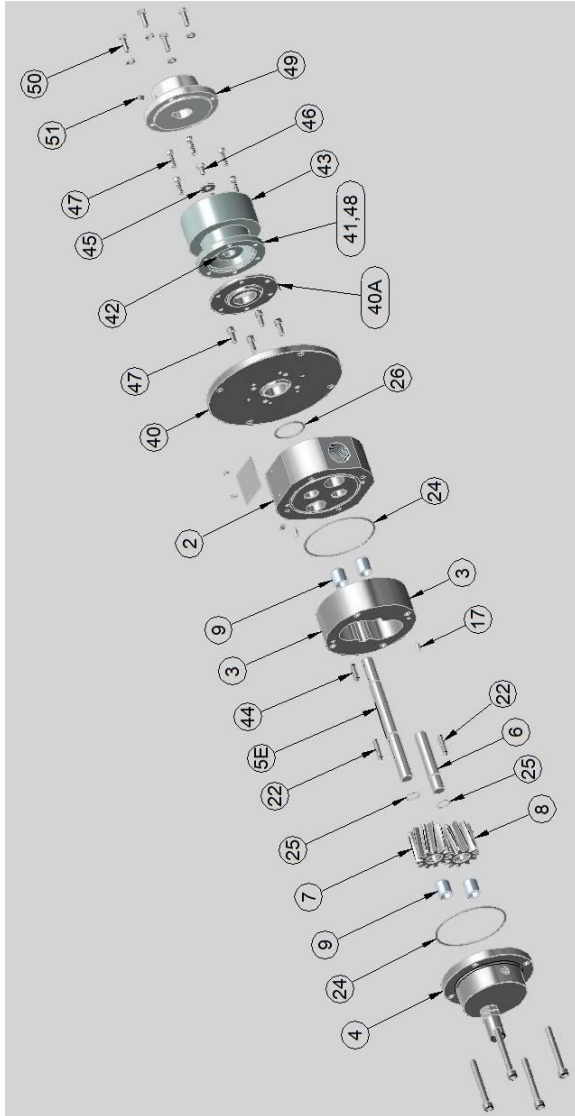


Figure 4 - Magnetic Drive Coupling

PART LIST FIG. 4

ITEM	Q.TY	DESCRIPTION
1	1	Seal cover
2	1	Front cover
3	1	Main body
4	1	Back cover without valve
5E	1	Driving shaft
6	1	Driven shaft
7	1	Driving gear
8	1	Driven gear
9	4	Bush
10	1	Mechanical seal
13	1	Spring ring (optional)
14	1	Ball bearing (optional)
15	4 (6)	Socket head screw
16	3	Socket head screw
17	2	Dowel pin
22	2	Gear feather key
24	2	O-ring
25	2	Spring clip
26	1	O-ring
40	1	Adapting flange
40A	1	Adapting flange
41	1	Magnatic coupling cover
42	1	Inner magnet
43	1	Outer magnet
44	1	Feather key
45	1	Washer
46	1	Hexagonal head screw
47	6 (8)	Socket head screw
48	1	O-ring
49	1	Coupling
50	4	Hexagonal head screw

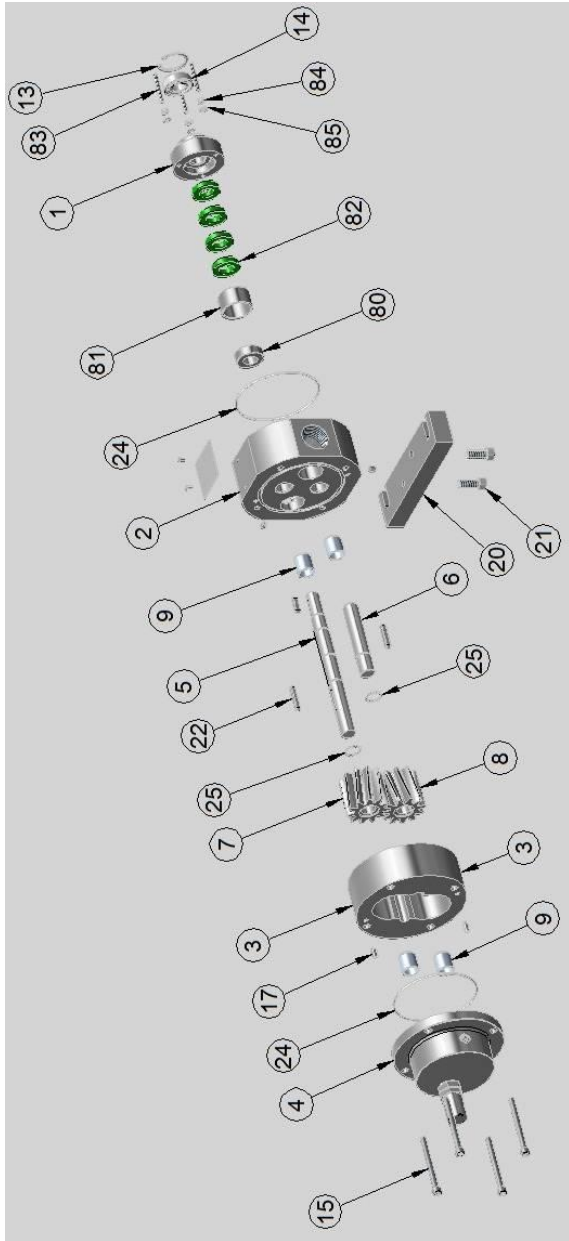


Figure 5 - Packing seal

PART LIST FIG. 5

ITEM	Q.TY	DESCRIPTION
1	1	Seal cover
2	1	Front cover
3	1	Main body
4	1	Back cover without valve
5	1	Driving shaft
6	1	Driven shaft
7	1	Driving gear
8	1	Driven gear
9	4	Bush
10	1	Mechanical seal
13	1	Spring ring (optional)
14	1	Ball bearing (optional)
15	4(6)	Socket head screw
16	3	Socket head screw
17	2	Dowel pin
20	1	Foot
21	2	Socket head screw
22	2	Gear feather key
23	1	Feather key
24	2	O-ring
80	1	Ring
81	1	Centring ring
82	4(6)	Packing seal
83	3(4)	Stud
84	3(4)	Nut
85	3(4)	Plane washer

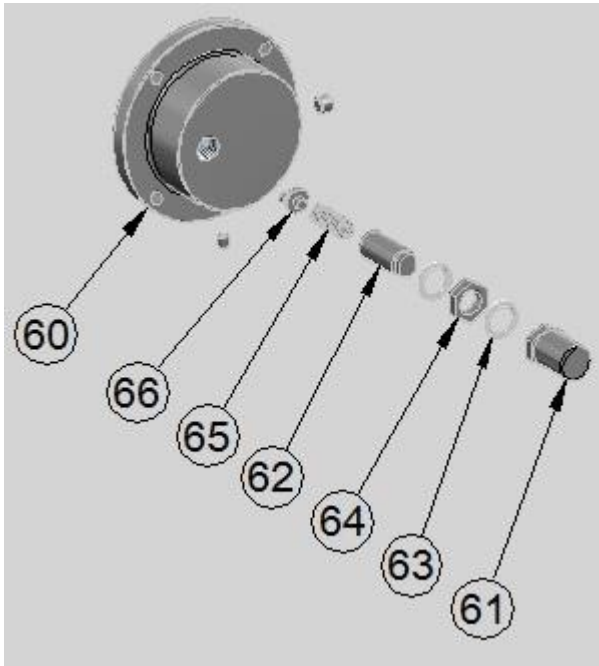


Figure 5 - Valve cover

PART LIST FIG. 6			
ITEM	Q.TY		DESCRIPTION
60	1		Valve cover
61	1		Cap
62	1		Adjusting screw
63	2		Washer
64	1		Nut
65	1		Spring
66	1		Shutter