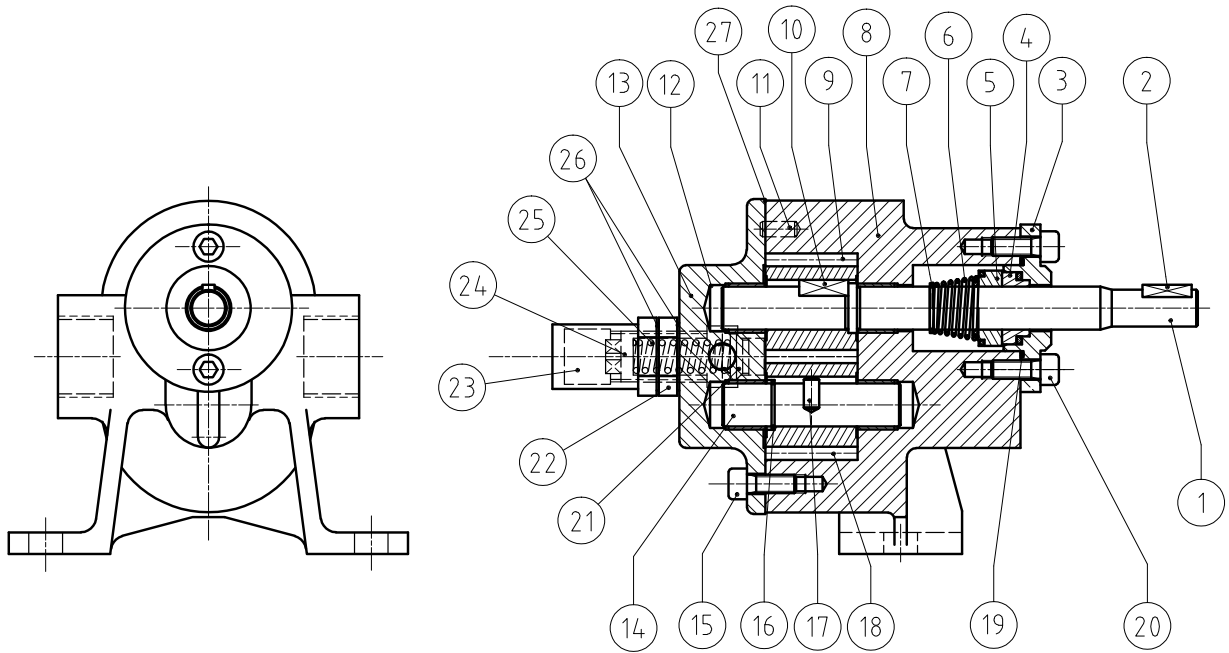
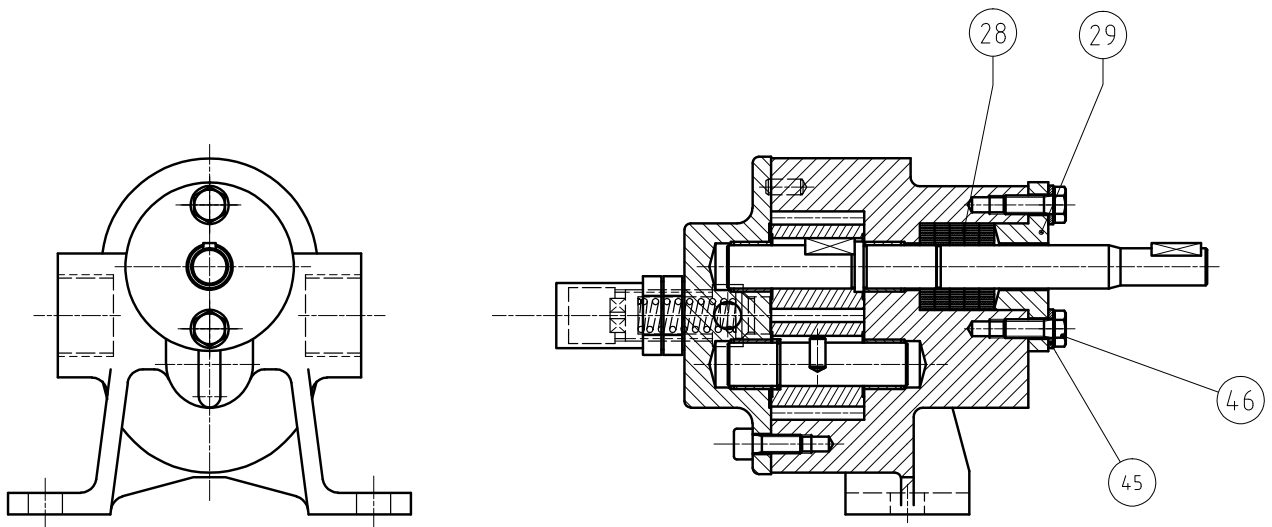


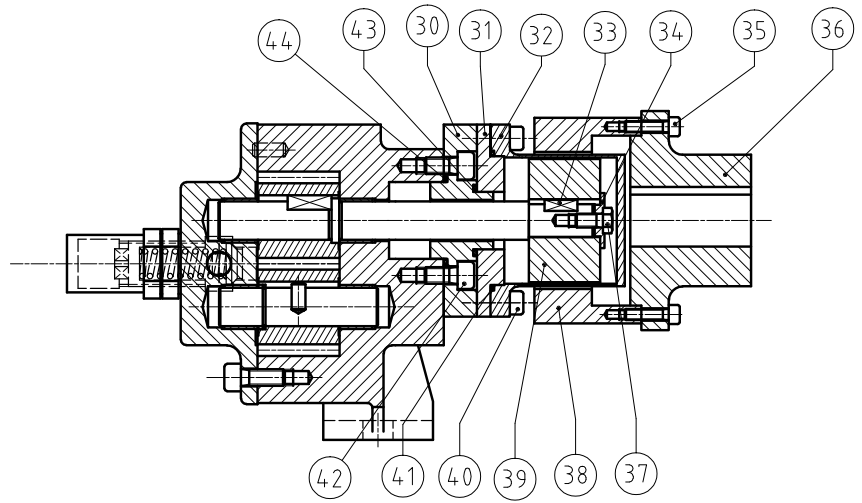
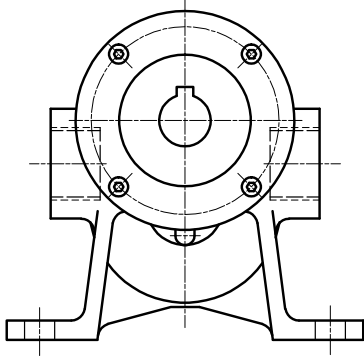
GEAR PUMP TYPE MX WITH MECHANICAL SEAL



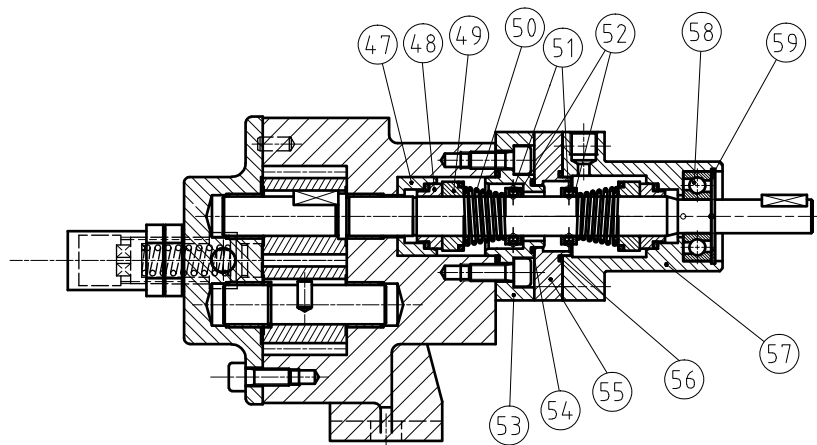
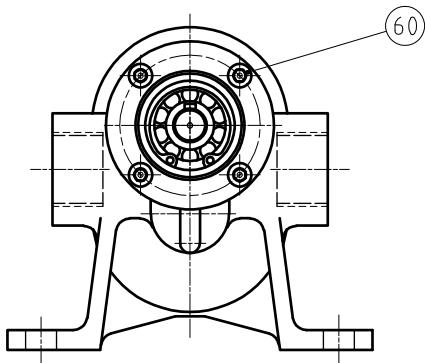
GEAR PUMP TYPE MX WITH PACKING



GEAR PUMP TYPE MX WITH MAGNETIC COUPLING



GEAR PUMP TYPE MX WITH DOUBLE MECHANICAL SEAL



GEAR PUMPS TYPE MX - Parts List

Item	Description	Material
1	Driving shaft	AISI 316L
2	Feather key	AISI 316
3	Seal cover	AISI 316L
4	Mechanical seal (fixed ring)	Carbon Graphite
5	Mechanical seal (rotating ring)	Ceramic
6	Spring	AISI 316Ti
7	External retaining ring	AISI 304
8	Central body	AISI 316
9	Driving gear	AISI 316L
10	Feather key	AISI 316
11	Dowel pin	AISI 316
12	Supporting bush	P.T.F.E.
13	Back cover	AISI 316
14	Driven gear	AISI 316L
15	Socket screw	AISI 316
16	Spring clip *	AISI 316
17	Pin **	AISI 316
18	Driven gear	AISI 316L
19	O-ring	FPM
20	Socket screw	AISI 316
21	Shutter	AISI 316
22	Nut	AISI 316
23	Security cap	AISI 316
24	Regulating screw	AISI 316
25	Valve spring	AISI 302
26	Gasket	P.T.F.E.
27	Gasket	P.T.F.E.
28	Packing	P.T.F.E.
29	Stuffing box	AISI 316L
30	Centering ring	AISI 316L
31	Centering ring	AISI 316L
32	Magnetic coupling cover	DIN 1.4571 (AISI 316Ti)
33	Feather key	AISI 316
34	Washer	AISI 316
35	Hexagonal-head screw	Carbon steel
36	Coupling	Carbon steel
37	Hexagonal-head screw	AISI 316
38	Outer magnet	St-37 DIN 17100
39	Inner magnet	DIN 1.4571 (AISI 316Ti)
40	Socket screw	AISI 316
41	O-ring	FPM
42	Socket screw	AISI 316
43	O-ring	FPM
44	O-ring	FPM
45	Washer	AISI 316
46	Hexagonal-head screw	AISI 316
47	Mechanical seal seat	AISI 316L
48	Mechanical seal (fixed ring)	Carbon Graphite
49	Mechanical seal (rotating ring)	Ceramic
50	Spring	AISI 316Ti
51	Grub screw	AISI 316
52	Ring	AISI 316L
53	Centering ring	AISI 316L
54	O-ring	FPM
55	Intermediate ring	AISI 316L
56	O-ring	FPM
57	External seal cover	AISI 316L
58	Radial ball bearing	AISI 440
59	External retaining ring	AISI 304
60	Socket screw	AISI 316

* Only for MX5 - MX25

** Feather key for MX40 - MX150



MX pumps in a chemical plant