

Figure 1 - Single Seal

Parts list		
ITEM	Q.TY	DESCRIPTION
①	1	Seal cover
②	1	Front cover
③	1	Main body
④	1	Back cover
⑤	1	Driving shaft
⑥	1	Driven shaft
⑦	1	Driving gear
⑧	1	Driven gear
⑨	4	Bush
⑩	1	Stationary ring (mech. seal)
⑪	1	Rotating ring (mech. seal)
⑫	1	Spring (mech. seal)
⑬	1	Internal retaining ring
⑭	1	Ball bearing
⑮	8	Socket screw
⑯	3	Socket screw
⑰	4	Dowel pin
⑱	2	S.A.E. flange (weld-on)
⑲	8	Socket screw
⑳	1	Foot
㉑	2	Socket screw
㉒	2	Feather key
㉓	1	Feather key
㉔	2	Gasket
㉕	1	O-Ring
㉖A	2	O-Ring
㉖A	4	Spring clip
㉖B	1	External retaining ring

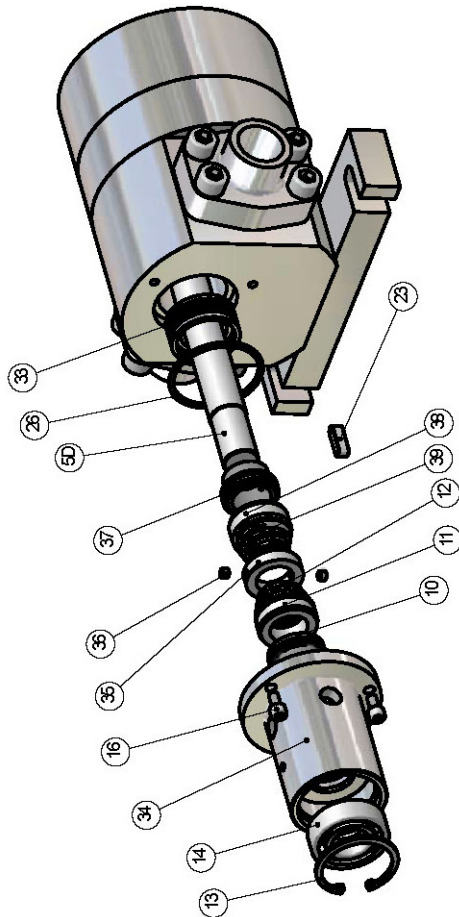


Figure 2 - Double Back-to-Back Seals

<b>Parts list</b>		
<b>ITEM</b>	<b>Q.TY</b>	<b>DESCRIPTION</b>
⑩	1	Stationary ring (ext. mech. seal)
⑪	1	Rotating ring (ext. mech. seal)
⑫	1	Spring (ext. mech. seal)
⑬	1	Internal retaining ring
⑭	1	Ball bearing
⑯	3	Socket screw
⑰	1	Feather key
⑱	1	O-Ring
⑳	1	Inner seat bush
㉑	1	Seal cover
㉒	1	Ring
㉓	2	Grub screw
㉔	1	Stationary ring (int. mech. seal)
㉕	1	Rotating ring (int. mech. seal)
㉖	1	Spring (int. mech. seal)
⑤D	1	Driving shaft

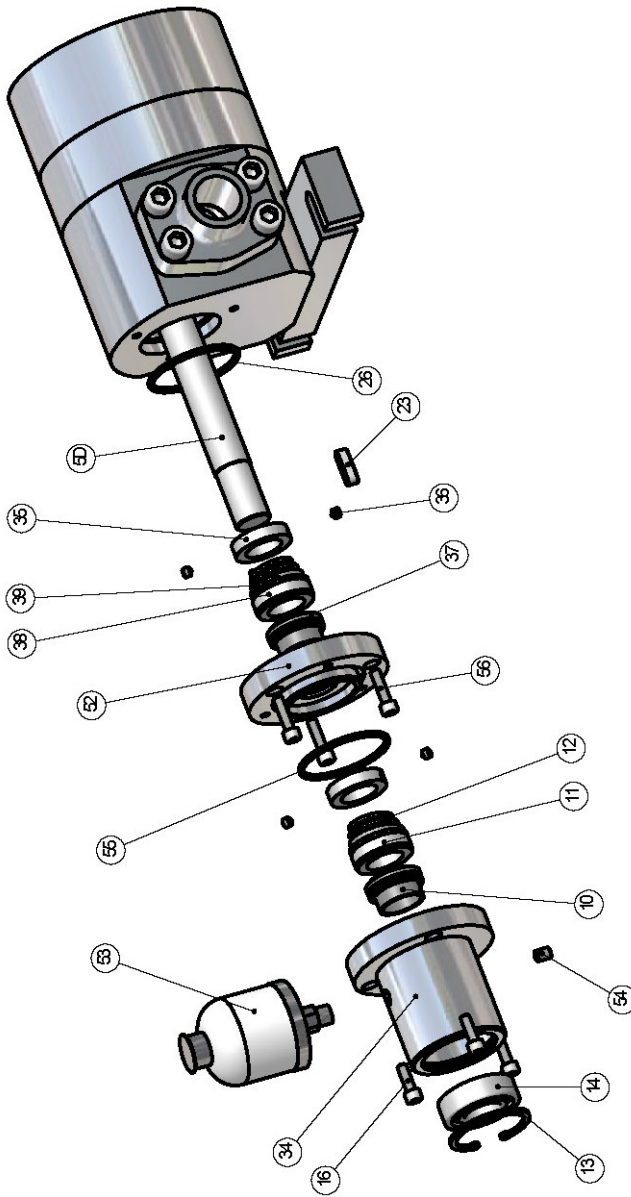


Figure 3 - Double Tandem Seals

Parts list		
ITEM	Q.TY	DESCRIPTION
⑩	1	Stationary ring (ext. mech. seal)
⑪	1	Rotating ring (ext. mech. seal)
⑫	1	Spring (ext. mech. seal)
⑬	1	Internal retaining ring
⑭	1	Ball bearing
⑮	3	Socket screw
⑰	1	Feather key
⑱	1	O-Ring
⑳	1	Seal cover
㉑	2	Ring
㉒	4	Grub screw
㉓	1	Stationary ring (int. mech. seal)
㉔	1	Rotating ring (int. mech. seal)
㉕	1	Spring (int. mech. seal)
㉖	1	Inner seat flange
㉗	1	Tank
㉘	1	Grub screw
㉙	1	O-Ring
㉚	3	Socket screw
㉛D	1	Driving shaft

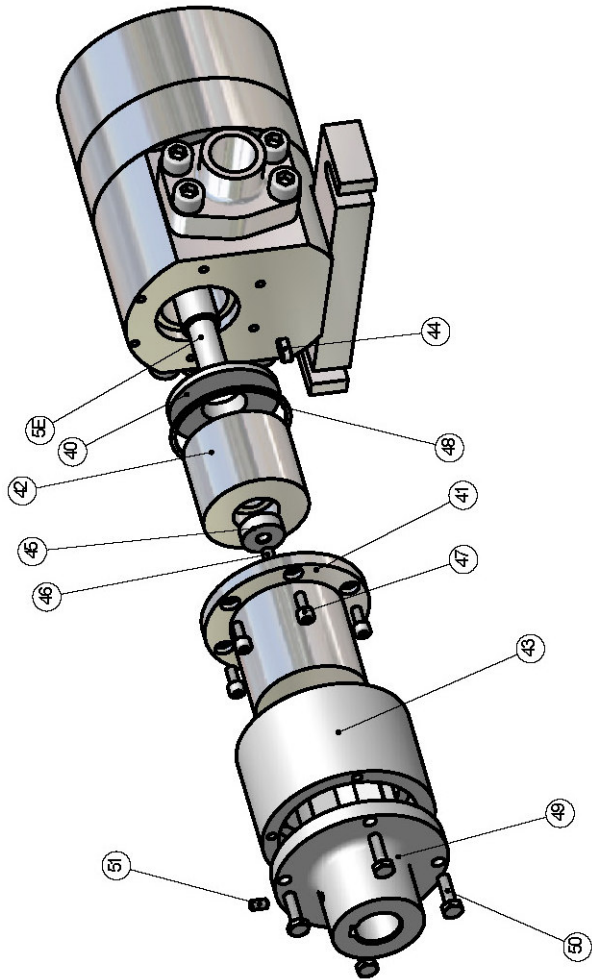


Figure 4 - Magnetic Drive Coupling

Parts list		
ITEM	Q.TY	DESCRIPTION
④①	1	Centering ring
④①	1	Inner magnet cover
④②	1	Inner magnet
④③	1	Outer magnet
④④	1	Feather key
④⑤	1	Washer
④⑥	1	Hexagonal head screw
④⑦	6	Socket screw
④⑧	1	O-Ring
④⑨	1	Coupling
⑤①	4	Hexagonal head screw
⑤②	1	Grub screw
⑤E	1	Driving shaft