

HORIZONTAL MULTISTAGE CENTRIFUGAL ELECTRIC PUMPS

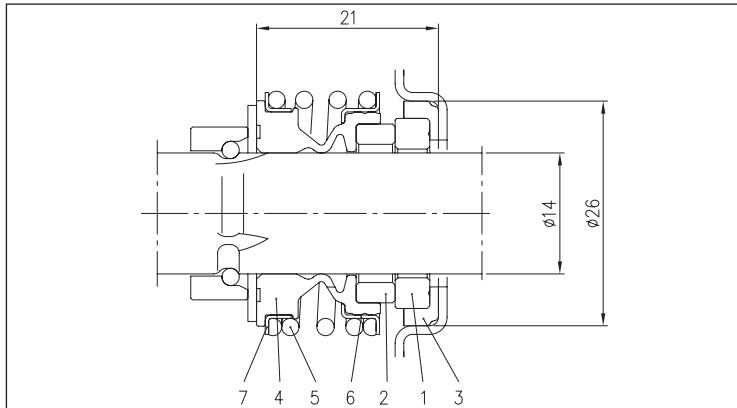
in AISI 304

MATERIALS TABLE

Ref.	Name	Material	Ref.	Name	Material
1	Pump body	EN 1.4301 (AISI 304)	42	Foot	Aluminium
3	Motor support	EN AB-AISI11Cu2(Fe)	50	Motor spacer [2]	Aluminium
4	Seal housing disc	EN 1.4301 (AISI 304)	52	Capacitor-holder box [1]	ABS
6	Rotor shaft	-	53	Capacitor-holder box cover [1]	ABS
6-1	Pump shaft	EN 1.4301 (AISI 304)	56	Box gasket	NBR
7	Impeller	EN 1.4301 (AISI 304)	58	Nut ring	-
11	Mechanical seal	Ceramic/Carbon/EPDM	59	Conic gasket	NBR
12	Motor case	-	60	Intermediate stage	EN 1.4301 (AISI 304)+PTFE
13	Motor cover	Aluminium	61	Intermediate stage (suction)	EN 1.4301 (AISI 304)+PTFE
14	Fan	PA	62	Intermediate stage (bearing)	EN 1.4301 (AISI 304) + PTFE + Ceramic
15	Fan cover	Galvanised Fe P04	63	Intermediate stage (discharge)	EN 1.4301 (AISI 304) + PTFE
16	Terminal box	-	68	Shaft casing (intermediate)	EN 1.4301 (AISI 304)
17	Terminal box cover	Aluminium	69	Impeller spacer	EN 1.4301 (AISI 304)
18	Spray protector ring	NBR	69-1	Shaft casing (adapter)	EN 1.4301 (AISI 304)
19	Bearing (pump side)	-	69-2	Shaft casing (adapter)	EN 1.4301 (AISI 304)
20	Bearing (motor side)	-	75	Washer	EN 1.4301 (AISI 304)
21	Adjusting ring	Steel C70	76	Washer	EN 1.4301 (AISI 304)
22	Tie-rod	Galvanised Fe 42	77	O-Ring	EPDM
24	Filler cap	EN 1.4301 (AISI 304)	78	O-Ring	EPDM
25	Drain plug	EN 1.4301 (AISI 304)	90	Terminal box cover [1]	NBR
26	O-Ring	EPDM	91	Shaft washer	EN 1.4301 (AISI 304)
29	Washer	EN 1.4301 (AISI 304)	92	Sealing ring	-
30	Holding ring	EN 1.4301 (AISI 304)	93	Sealing ring	-
30-1/2	Shaft casing	EN 1.4301 (AISI 304)	94	Guide bush	WC - Tungsten carbide
33	Ring	EN 1.4301 (AISI 304)	200	Screw (Pump body)	EN 1.4301 (AISI 304)
34	Screw	EN 1.4301 (AISI 304)	233	Plate	EN 1.4301 (AISI 304)

[1]= Single phase only

[2]= MATRIX 18-5T/4 and MATRIX 18-6T/4 only

MECHANICAL SEAL standard

MATERIALS TABLE standard

Ref.	Name	Material
1	Fixed part	Ceramic
2	Rotating part	Carbon
3	Gasket	EPDM
4	Diaphragm	EPDM
5	Spring	EN 1.4402 (AISI 316)
6	Structure/frame	EN 1.4402 (AISI 316)
7	Retainer ring	EN 1.4402 (AISI 316)

SPECIAL MECHANICAL SEALS (on request)

Ref.	Name	Material			
		Version TE	Version H	Version HS	Version U3Q1EGG
1	Fixed part	Ceramic	Carbon	SiC	Tungsten carbide
2	Rotating part	Carbon	Ceramic	SiC	SiC
3	Gasket	EPDM	FPM	FPM	EPDM
4	Diaphragm	EPDM	FPM	FPM	EPDM
5	Spring	EPDM	EN 1.4402 (AISI 316)	EN 1.4402 (AISI 316)	EN 1.4402 (AISI 316)
6	Structure/frame	EN 1.4402 (AISI 316)	EN 1.4402 (AISI 316)	EN 1.4402 (AISI 316)	EN 1.4402 (AISI 316)
7	Retainer ring	EN 1.4402 (AISI 304)	EN 1.4402 (AISI 316)	EN 1.4402 (AISI 316)	EN 1.4402 (AISI 316)