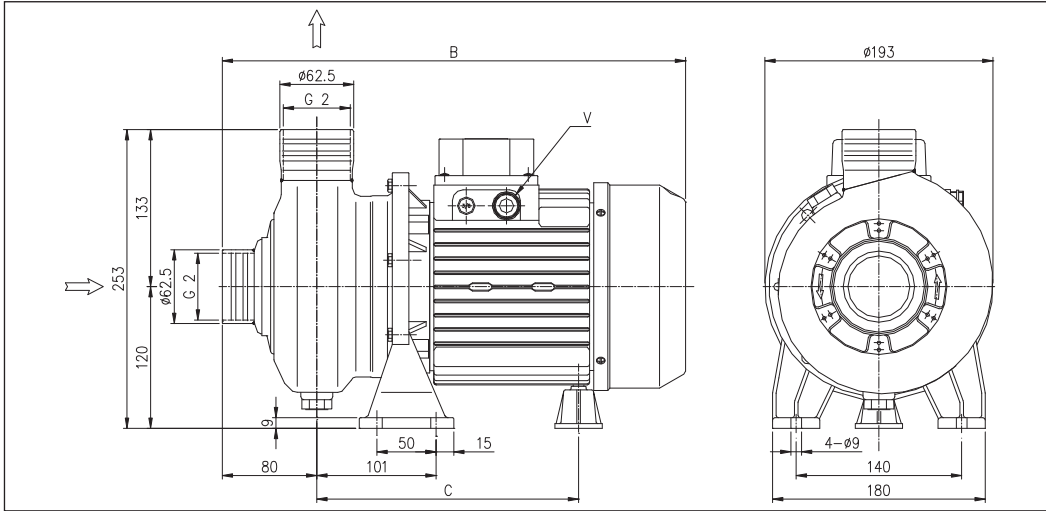


CLOSED IMPELLER CENTRIFUGAL ELECTRIC PUMPS

in AISI 304

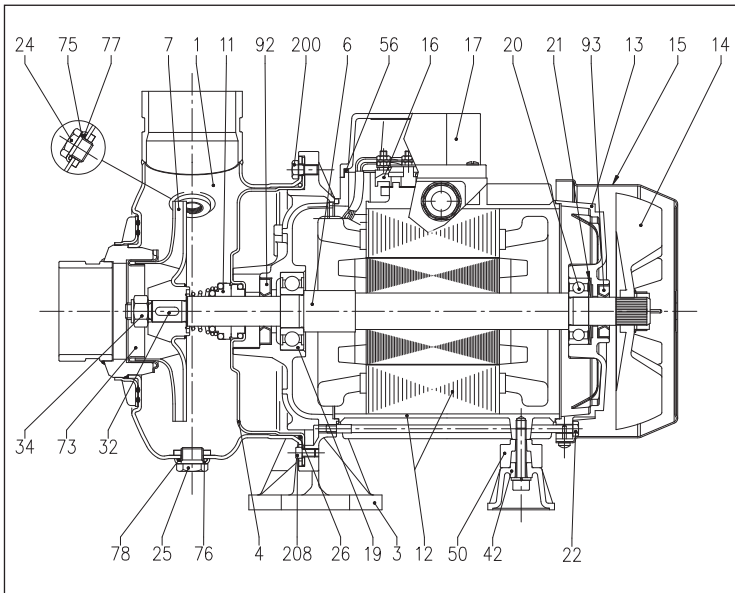
DWC-N DIMENSIONS (THREADED CONNECTION)



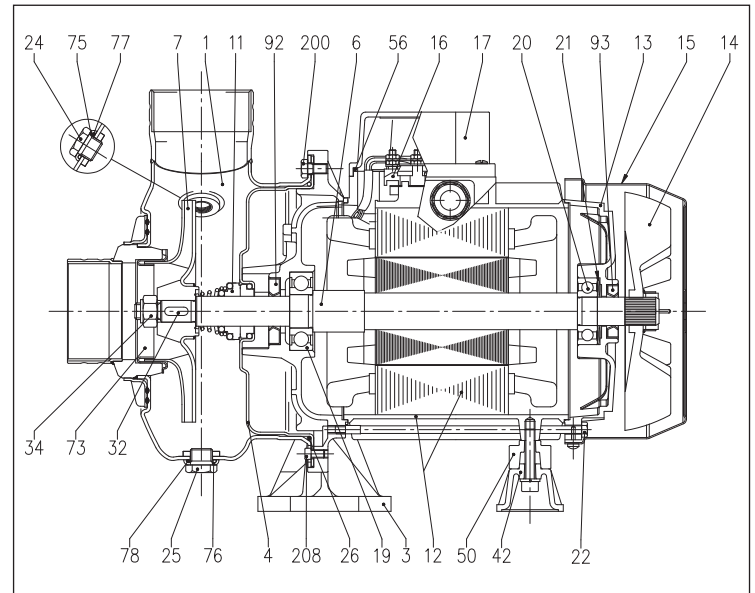
DIMENSIONS TABLE

Model	Dimensions [mm]			Weight [kg]
	B	C	V	
DWC 300/1,1	371,5	197,5	PG11	13,6
DWC 300/1,5	371,5	197,5	PG11	14,2
DWC 500/1,5	371,5	197,5	PG11	15,0
DWC 500/2,2	392	221,5	PG13,5	17,1
DWC 500/3,0	392	221,5	PG13,5	20,0

DWC-V SECTIONAL VIEW (VICTAULIC CONNECTION)



DWC-N SECTIONAL VIEW (THREADED CONNECTION)



MATERIALS TABLE

Ref.	Name	Material	Ref.	Name	Material
001	Pump body	EN 1.4301 (AISI 304)	025	Drain plug	EN 1.4301 (AISI 304)
003	Motor support	Aluminium	026	O-Ring	EPDM / FPM (H and W versions)
004	Seal housing disc	EN 1.4301 (AISI 304)	032	Key	EN 1.4401 (AISI 316)
006	Shaft	EN 1.4301 (AISI 304)	034	Impeller nut	EN 1.4301 (AISI 304)
007	Impeller	EN 1.4301 (AISI 304)	042	Foot	Aluminium / Galvanised Steel
011	Mechanical seal	Ceramic/Carbon/EPDM	050	Spacer	-
012	Motor case	-	056	Terminal box cover gasket	NBR
013	Motor cover	Aluminium	073	Wear ring	EN 1.4301 (AISI 304)
014	Fan	Polyamide	075	Washer	AISI 304
015	Fan cover	Galvanised steel Fe P04	076	Washer	AISI 304
016	Terminal box	-	077	O-Ring	EPDM / FPM (H and W versions)
017	Terminal box cover box	Aluminium	078	O-Ring	EPDM / FPM (H and W versions)
019	Bearing (pump side)	-	092	Sealing ring	-
020	Bearing (motor side)	-	093	Sealing ring	-
021	Adjusting ring	Steel C70	200	Screw (pump body)	Stainless steel A2-70 class ISO 3506/1
022	Tie-rod	Galvanised Fe 42	208	Screw	Stainless steel A2-70 class ISO 3506/1
024	Filler cap	EN 1.4301 (AISI 304)			