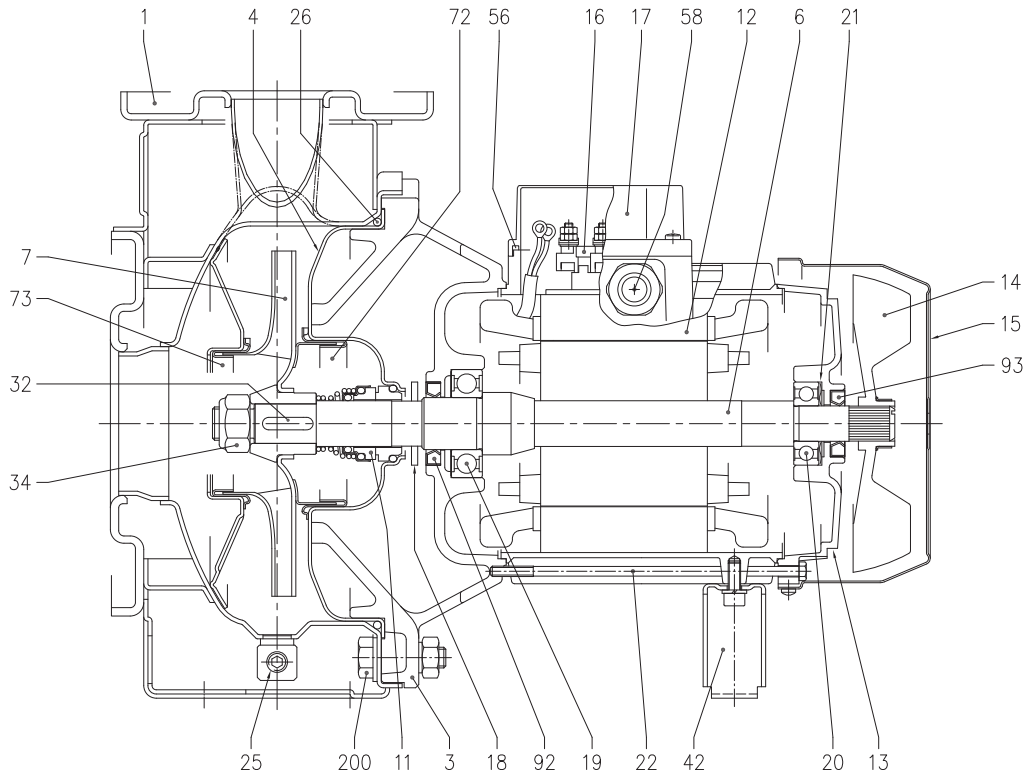


SECTIONAL VIEW 3(L)M4 SERIES 32, 40, 50, 65

4 Poles



MATERIALS TABLE

Ref.	Name	Materials	
		3M4	3LM4
001	Pump casing	EN 1.4301 (AISI 304)	EN 1.4404 (AISI 316L)
003	Motor bracket	Cast iron EN-GJL-200-EN 1561	
004	Casing cover	EN 1.4301 (AISI 304)	EN 1.4404 (AISI 316L)
006	Shaft (part in contact with the liquid)	EN 1.4301 (AISI 304)	EN 1.4404 (AISI 316L)
007	Impeller 32, 40, 50 65-125/160/200	EN 1.4301 (AISI 304)	EN 1.4404 (AISI 316L)
011	Mechanical seal	Carbon/Ceramic/NBR	SiC/SiC/FPM
012	Motor frame	-	
013	Motor cover	Aluminium	
014	Fan	Polyamide	
015	Fan cover	Galvanised steel Fe P04	
016	Terminal box	-	
017	Terminal box cover	Aluminium (three phase version)	
018	Spray protector washer	NBR	-
019	Bearing (pump side)	-	
020	Bearing (motor side)	-	
021	Adjusting ring	Steel C70	
022	Tie-rod	Galvanised steel Fe 42	
025	Plug	EN 1.4401 (AISI 316) / PTFE	
026	O-Ring	NBR	FPM
032	Key	EN 1.4401 (AISI 316)	
034	Impeller nut	EN 1.4301 (AISI 304)	EN 1.4404 (AISI 316L)
042	Motor support	Aluminium / Galvanised Steel	
056	Terminal box cover gasket	NBR	
058	Cable gland	-	
072	Casing ring [1]	EN 1.4301 (AISI 304)	EN 1.4404 (AISI 316L)
073	Casing ring	EN 1.4301 (AISI 304)	EN 1.4404 (AISI 316L)
092	Seal ring	-	-
093	Seal ring	-	-
200	Screw (pump body)	Stainless steel A2 70 class ISO 3506/1	

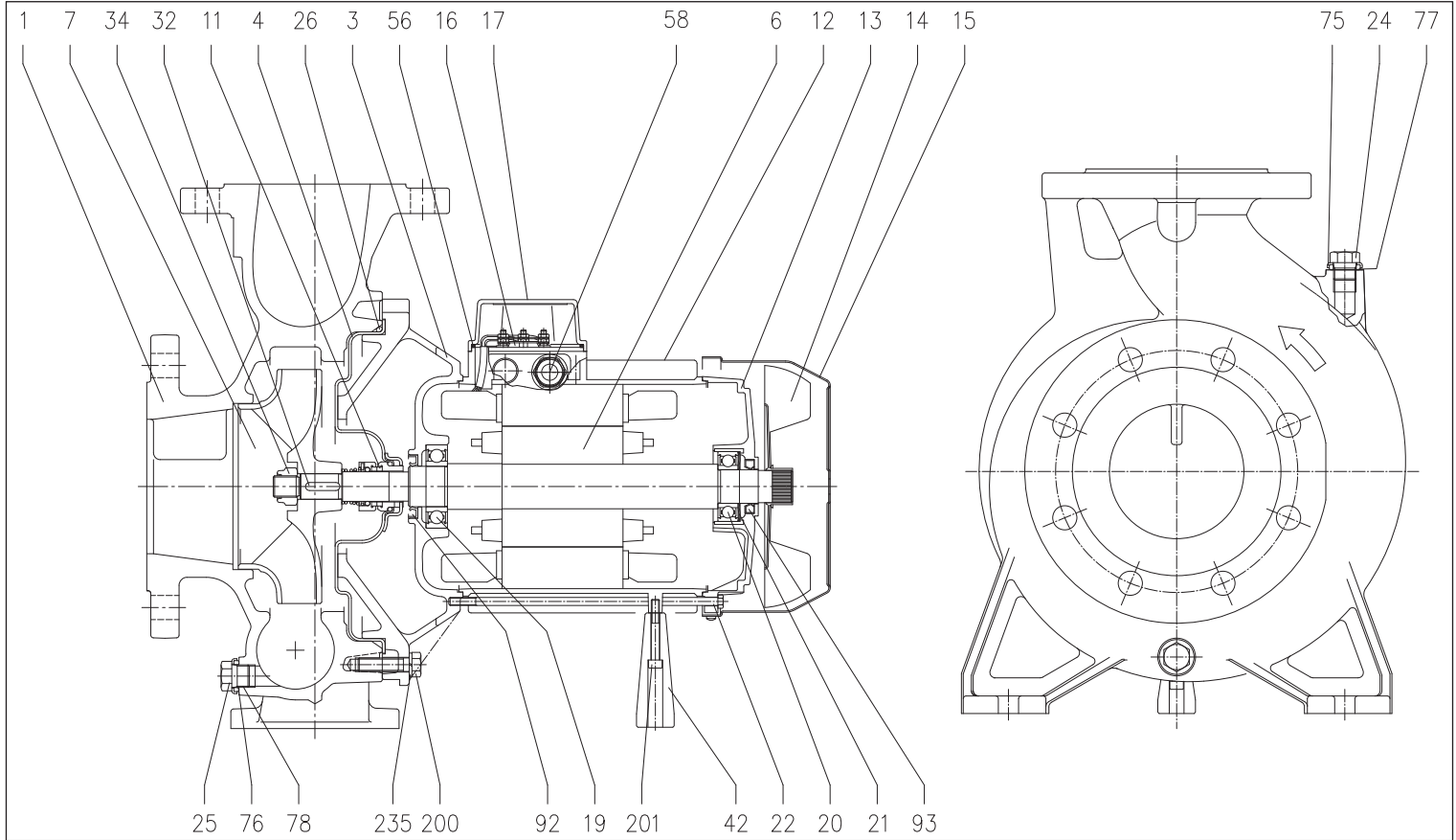
[1]= For 32-200, 40-200, 50-160, 50-200 versions

3LM4 series

CENTRIFUGAL ELECTRIC PUMPS STANDARDISED IN COMPLIANCE WITH EN 733 (EX DIN 24255)

SECTIONAL VIEW 3LM4 SERIES 80-160

4 Poles

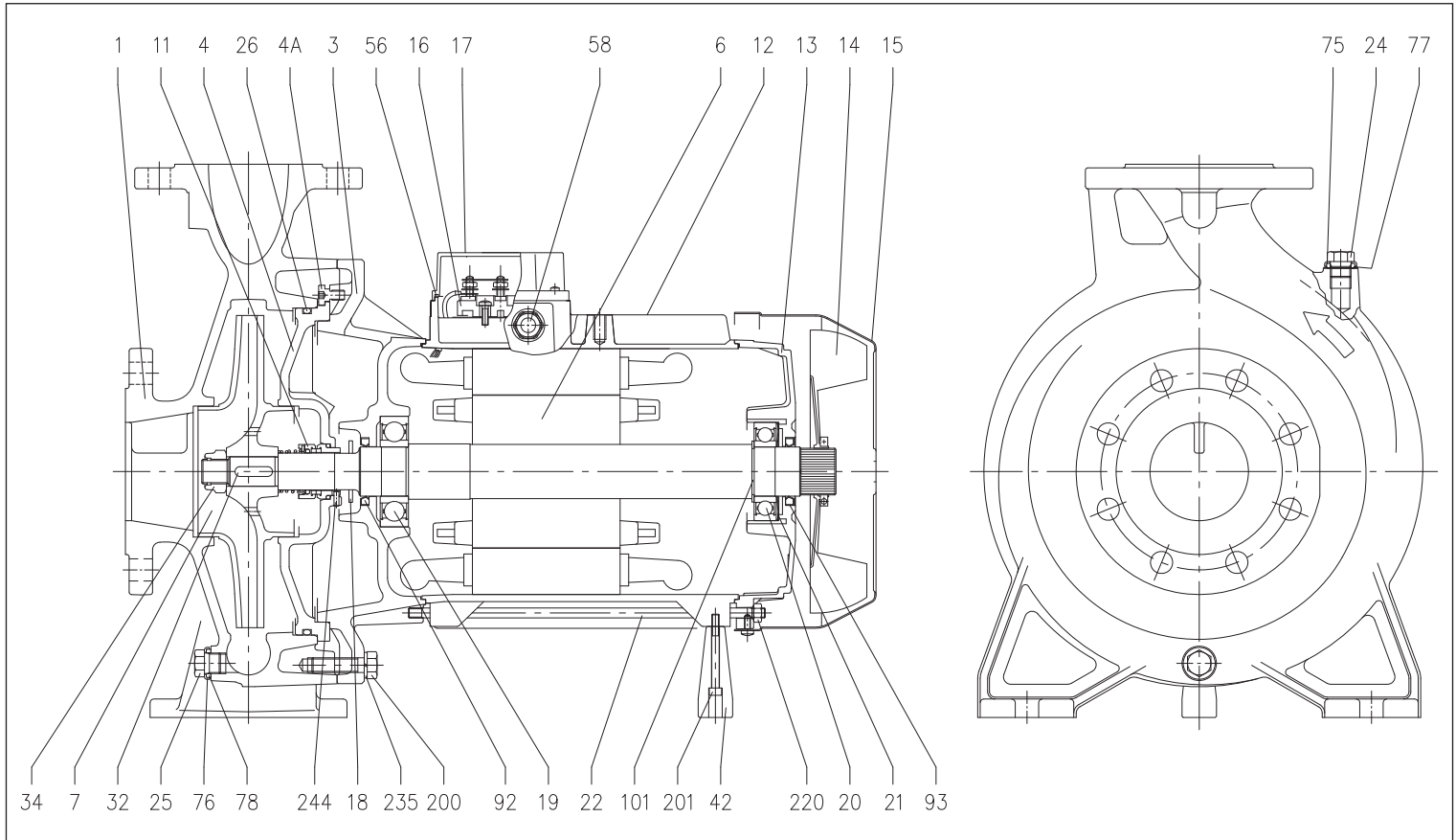


MATERIALS TABLE

Ref.	Name	Materials	Ref.	Name	Materials
001	Pump casing	EN 1.4401 (AISI 316)	025	Plug	EN 1.4404 (AISI 316L)
003	Motor bracket	Cast iron EN-GJL-200-EN 1561	026	O-Ring	FPM
004	Casing cover	EN 1.4404 (AISI 316L)	032	Key	EN 1.4404 (AISI 316L)
006	Shaft	EN 1.4404 (AISI 316L) Part in contact with the liquid	034	Impeller nut	EN 1.4404 (AISI 316L)
007	Impeller	EN 1.4401 (AISI 316)	042	Motor support	Aluminium
011	Mechanical seal	SiC/SiC/FPM	056	Terminal box cover gasket	NBR
012	Motor frame	-	058	Cable gland	-
013	Motor cover	Aluminium	075	Washer	EN 1.4404 (AISI 316L)
014	Fan	Polyamide	076	Washer	EN 1.4404 (AISI 316L)
015	Fan cover	Galvanised steel Fe P04	077	O-Ring	FPM
016	Terminal box	-	078	O-Ring	
017	Terminal box cover	Aluminium	092	Seal ring	-
019	Bearing (pump side)	-		093	Seal ring
020	Bearing (motor side)	-	200		Screw (pump body)
021	Adjusting ring	Steel C70	201	Foot screw	Stainless steel A2-70 class ISO 3506/1
022	Tie-rod	Galvanised steel Fe 42	235	Washer	EN 1.4301 (AISI 304)
024	Plug	EN 1.4404 (AISI 316L)			

CENTRIFUGAL ELECTRIC PUMPS STANDARDISED IN COMPLIANCE WITH EN 733 (EX DIN 24255)

SECTIONAL VIEW 3LM4 SERIES 65-250, 80

4 Poles


MATERIALS TABLE

Ref.	Name	Materials	Ref.	Name	Materials
001	Pump casing	EN 1.4401 (AISI 316)	032	Key	EN 1.4404 (AISI 316L)
003	Motor bracket	Cast iron EN-GJL-200-EN 1561	034	Impeller nut	Aluminium
004	Casing cover	EN 1.4401 (AISI 316)	042	Motor support	Aluminium
004A	Casing cover screw	EN 1.4301 (AISI 304)	056	Terminal box cover gasket	NBR
006	Shaft	EN 1.4404 (AISI 316L) Part in contact with the liquid	058	Cable gland	-
007	Impeller	EN 1.4401 (AISI 316)	075	Washer	EN 1.4404 (AISI 316L)
011	Mechanical seal	SiC/SiC/FPM	076	Washer	
012	Motor frame	-	077	O-Ring	
013	Motor cover	Aluminium	078	O-Ring	FPM
014	Fan	Polyamide	092	Seal ring (3-4 kW, 5,5-7,5 kW)	-
015	Fan cover	Galvanised steel Fe P04			
016	Terminal box	-	093	Seal ring (3 kW, 4 kW, 5,5-7,5 kW)	-
017	Terminal box cover	Aluminium			
018	Spray protector washer	NBR	101	Seeger ring (only for 5,5-7,5 kW)	Carbon steel TC 80
019	Bearing (pump side)	-	200	Screw (pump body)	Stainless steel A2-70 class ISO 3506/1
020	Bearing (motor side)	-	201	Foot screw	Stainless steel A2-70 class ISO 3506/1
021	Adjusting ring	Steel C70	220	Tie-rod nut	Galvanised Steel
022	Tie-rod	Galvanised steel Fe 42	235	Washer	EN 1.4301(AISI 304)
024	Plug	EN 1.4404 (AISI 316L)	244	Plug [1]	EN 1.4301(AISI 304)
025	Plug	EN 1.4404 (AISI 316L)			
026	O-Ring	FPM			

[1]= Not for H and E versions