

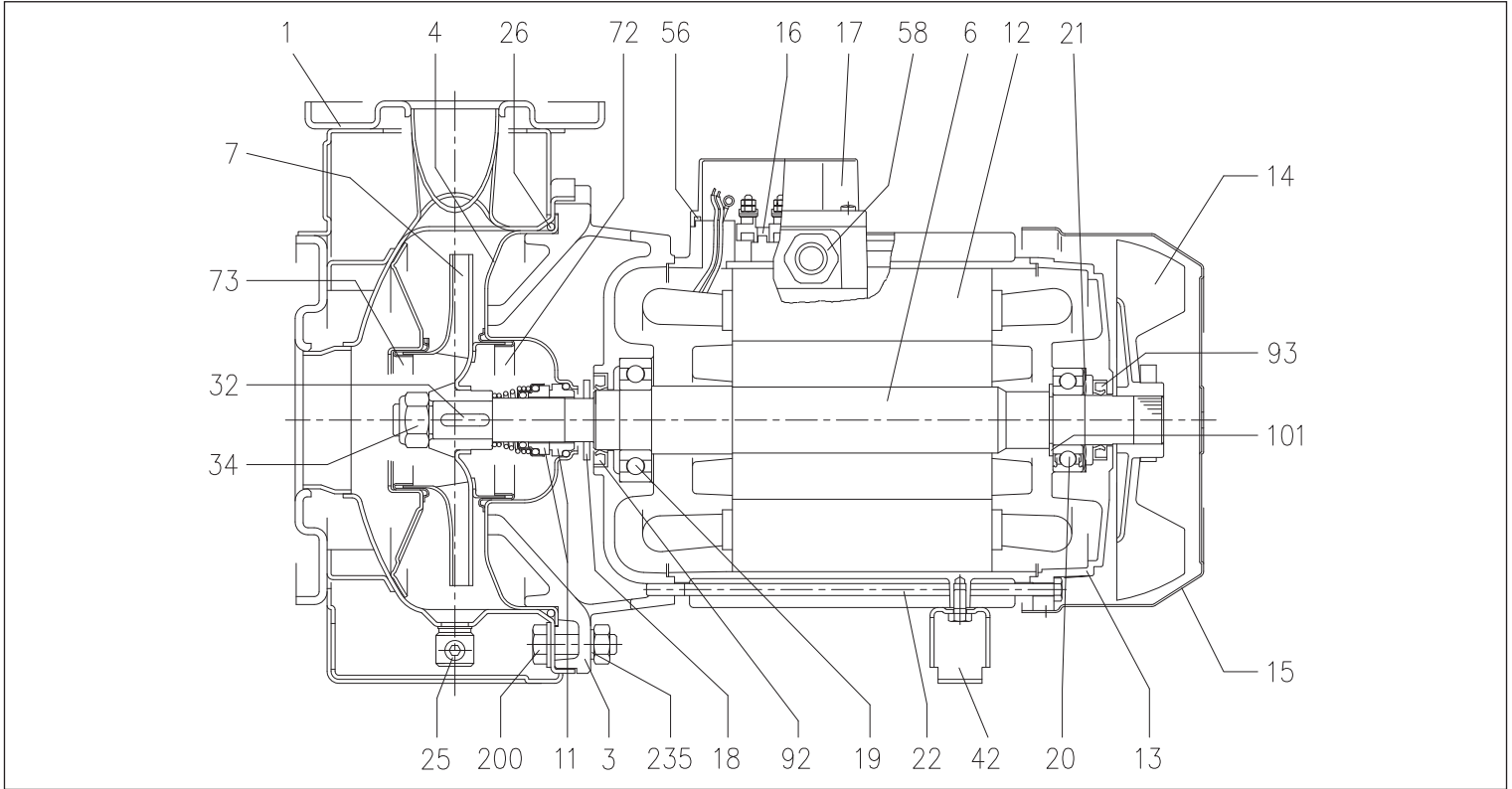
# 3(L)M series



CENTRIFUGAL ELECTRIC PUMPS STANDARDISED IN COMPLIANCE WITH EN 733  
(EX DIN 24255)

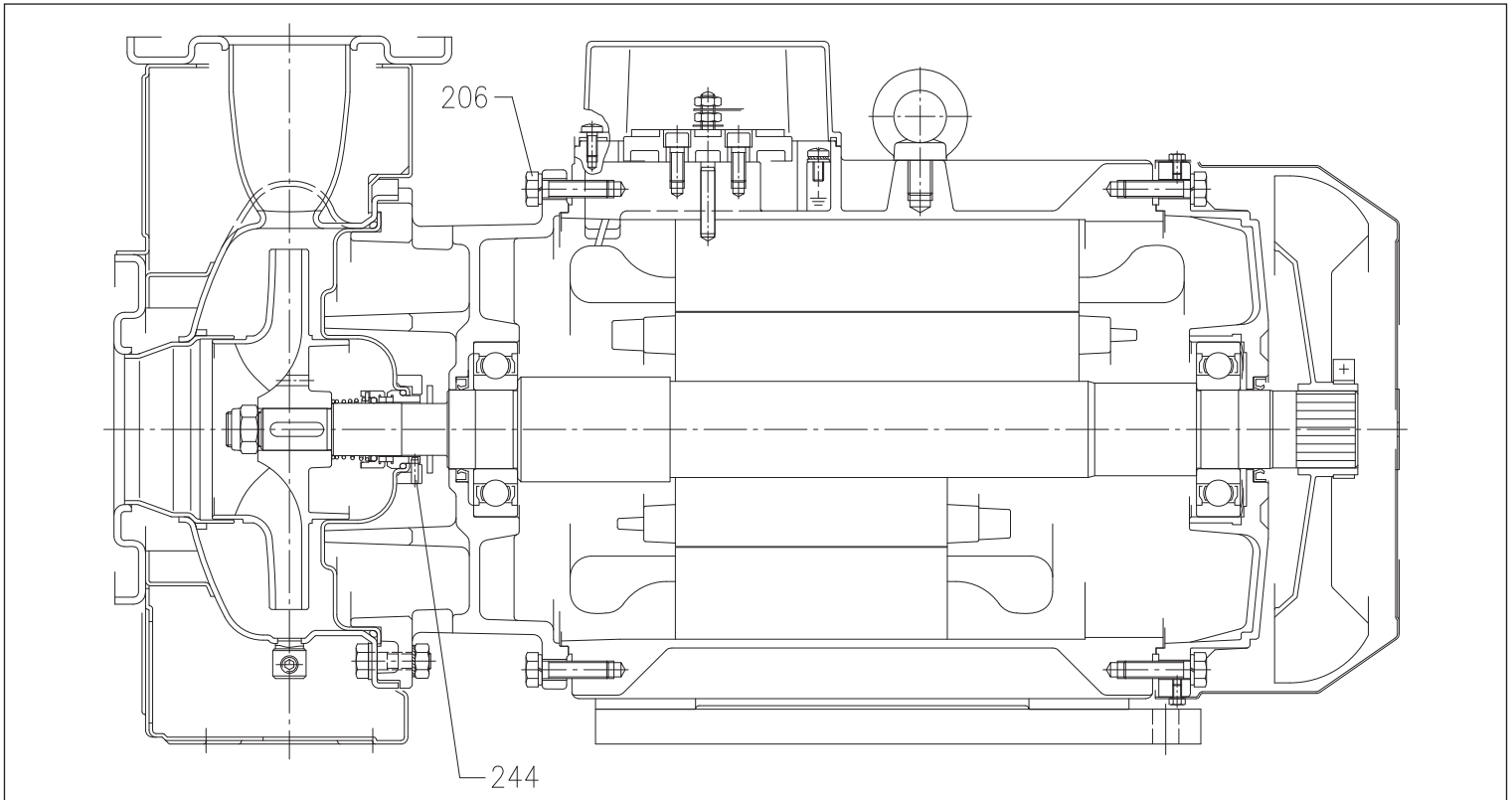
SECTIONAL VIEW 3(L)M SERIES 32, 40, 50, 65 - up to 11 kW

2 Poles



SECTIONAL VIEW 3(L)M 32, 40, 50, 65 SERIES - from 15 kW and over

2 Poles



## CENTRIFUGAL ELECTRIC PUMPS STANDARDISED IN COMPLIANCE WITH EN 733 (EX DIN 24255)

### MATERIALS TABLE

Ref.	Name	Materials	
		3M	3LM
001	Pump casing	EN 1.4301 (AISI 304)	EN 1.4404 (AISI 316L)
003	Motor bracket	Cast iron EN-GJL-200-EN 1561	
004	Casing cover	EN 1.4301 (AISI 304)	EN 1.4404 (AISI 316L)
006	Shaft	EN 1.4301 (AISI 304)	EN 1.4404 (AISI 316L)
007	Impeller	EN 1.4301 (AISI 304)	EN 1.4404 (AISI 316L)
011	Mechanical seal	Carbon/Ceramic/NBR	SiC/SiC/FPM
012	Motor frame	-	
013	Motor cover	Aluminium	
014	Fan	PA	
015	Fan cover	Galvanised steel Fe P04	
016	Terminal box	-	
017	Terminal box cover	Aluminium (three phase version)	
018	Spray protector washer	NBR	-
019	Bearing (pump side)	-	
020	Bearing (motor side)	-	
021	Adjusting ring	Steel C70	
022	Tie-rod	Galvanised steel Fe 42	
	Screw	Galvanised Steel	
025	Plug	EN 1.4401 (AISI 316) / PTFE	
026	O-Ring	NBR	FPM
032	Key	EN 1.4401 (AISI 316)	
034	Impeller nut	EN 1.4301 (AISI 304)	EN 1.4404 (AISI 316L)
042	Motor support	Aluminium / Galvanised Steel	
056	Terminal box gasket	NBR	
058	Cable gland	-	
072	Casing ring [1]	EN 1.4301 (AISI 304)	EN 1.4404 (AISI 316L)
073	Casing ring	EN 1.4301 (AISI 304)	EN 1.4404 (AISI 316L)
092	Seal ring	-	-
093	Seal ring	-	-
101	Seeger ring	Carbon steel TC 80	
200	Screw (pump body)	Stainless steel A2 70 class ISO 3506/1	
206	Support screw [2]	Galvanised Steel	
244	Plug [3]	-	EN 1.4301 (AISI 304)

[1]= For 32-200/3, 32-200/4, 32-200/5.5, 40-200/5.5, 40-200/7.5, 40-200/11, 50-160/5.5, 50-160/7.5, 50-200/9.2, 50-200/11, 50-200/15

[2]= For 15 kW and over

[3]= Only for 65-160/15 and 65-200

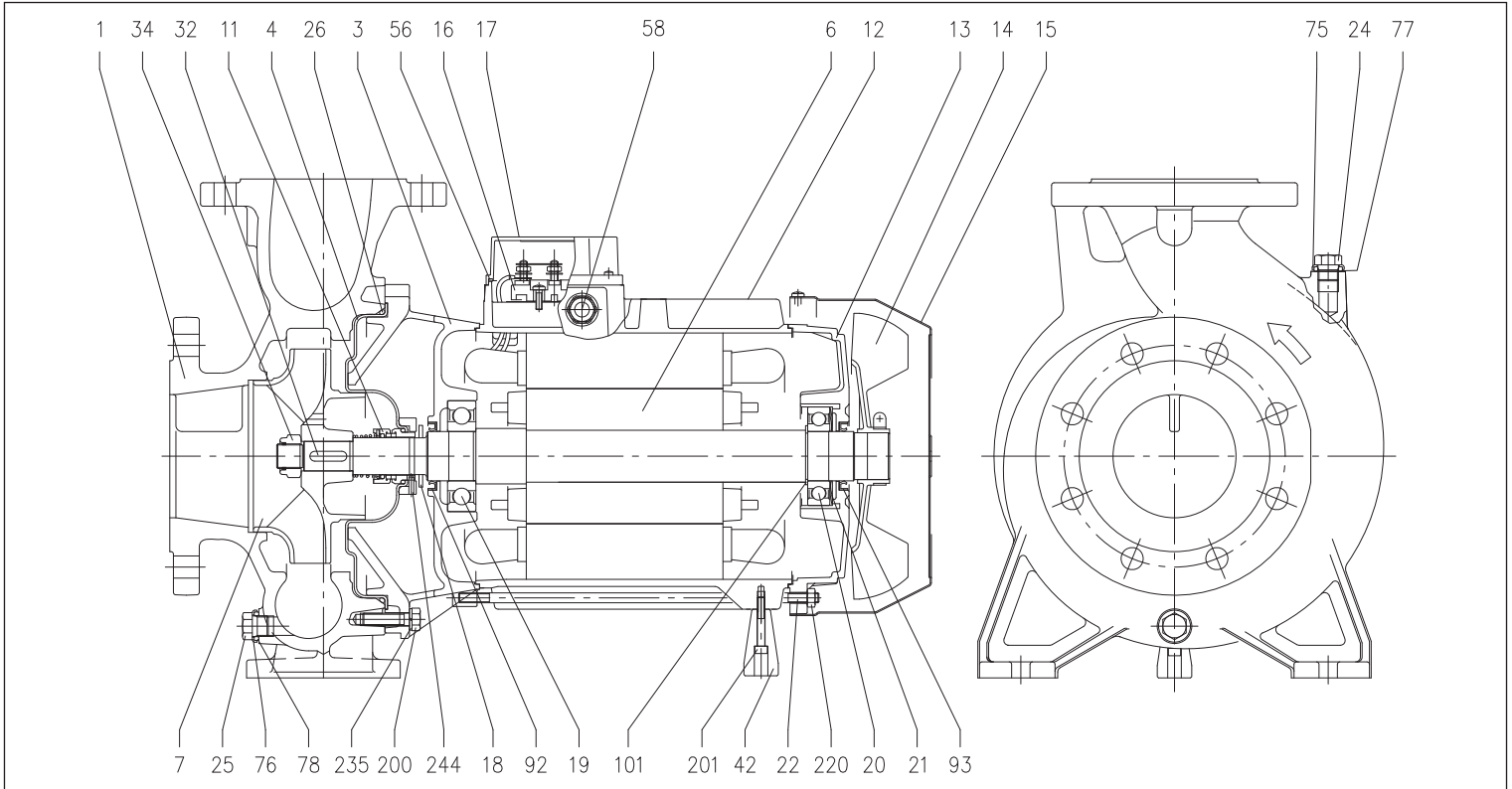
# 3LM series



CENTRIFUGAL ELECTRIC PUMPS STANDARDISED IN COMPLIANCE WITH EN 733  
(EX DIN 24255)

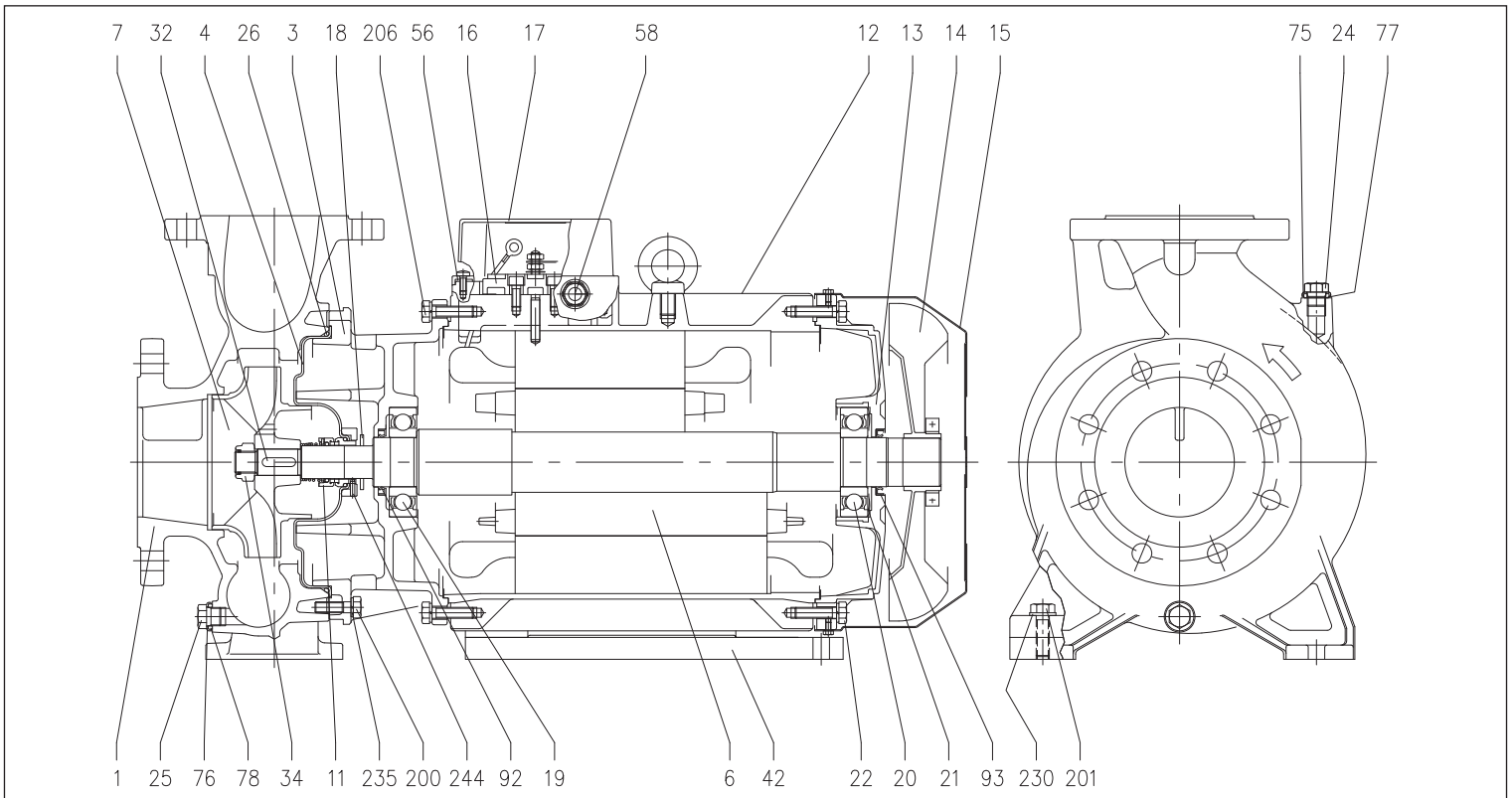
SECTIONAL VIEW 3LM SERIES 80-160/11 - 80-160/13

2 Poles



SECTIONAL VIEW 3LM SERIES 80-160/15 - 80-160/18,5

2 Poles



## CENTRIFUGAL ELECTRIC PUMPS STANDARDISED IN COMPLIANCE WITH EN 733 (EX DIN 24255)

### MATERIALS TABLE

Ref.	Name	Materials	Ref.	Name	Materials
001	Pump casing	EN 1.4401 (AISI 316)	032	Key	EN 1.4404 (AISI 316L)
003	Motor bracket	Cast iron EN-GJL-200-EN 1561	034	Impeller nut	Aluminium
004	Casing cover	EN 1.4404 (AISI 316L)	042	Motor support	Aluminium
006	Shaft	EN 1.4404 (AISI 316L) - Part in contact with the liquid	056	Terminal box gasket	NBR
007	Impeller	EN 1.4401 (AISI 316)	058	Cable gland	-
011	Mechanical seal	SIC/SIC/FPM	075	Washer	EN 1.4404 (AISI 316L)
012	Motor frame	-	076	Washer	EN 1.4404 (AISI 316L)
013	Motor cover	Aluminium	077	O-Ring	FPM
014	Fan	PA	078	O-Ring	
015	Fan cover	Galvanised steel Fe P04	092	Seal ring (11-13 kW, 15-18,5 kW)	-
016	Terminal box	-	093	Seal ring (11-13 kW, 15-18,5 kW)	-
017	Terminal box cover	Aluminium	101	Seeger ring (only for 11-13 kW)	Carbon steel TC 80
018	Spray protector washer	NBR	200	Screw (pump body)	Stainless steel A2-70 class ISO 3506/1
019	Bearing (pump side)	-	201	Screw (11-13 kW, 15-18,5 kW)	Stainless steel A2-70 class ISO 3506/1
020	Bearing (motor side)	-	206	Support screw motor (only for 15-18,5 kW)	Galvanised Steel
021	Adjusting ring	Steel C70	220	Tie-rod nut (only for 11-13 kW)	Galvanised Steel
022	Tie-rod	Galvanised Steel	230	Washer (11-13 kW, 15-18,5 kW)	Galvanised Steel
024	Plug	EN 1.4404 (AISI 316L)	235	Washer	EN 1.4301(AISI 304)
025	Plug	EN 1.4404 (AISI 316L)	244	Plug [1]	EN 1.4301(AISI 304)
026	O-Ring	FPM			

[1]= Not for H and E versions