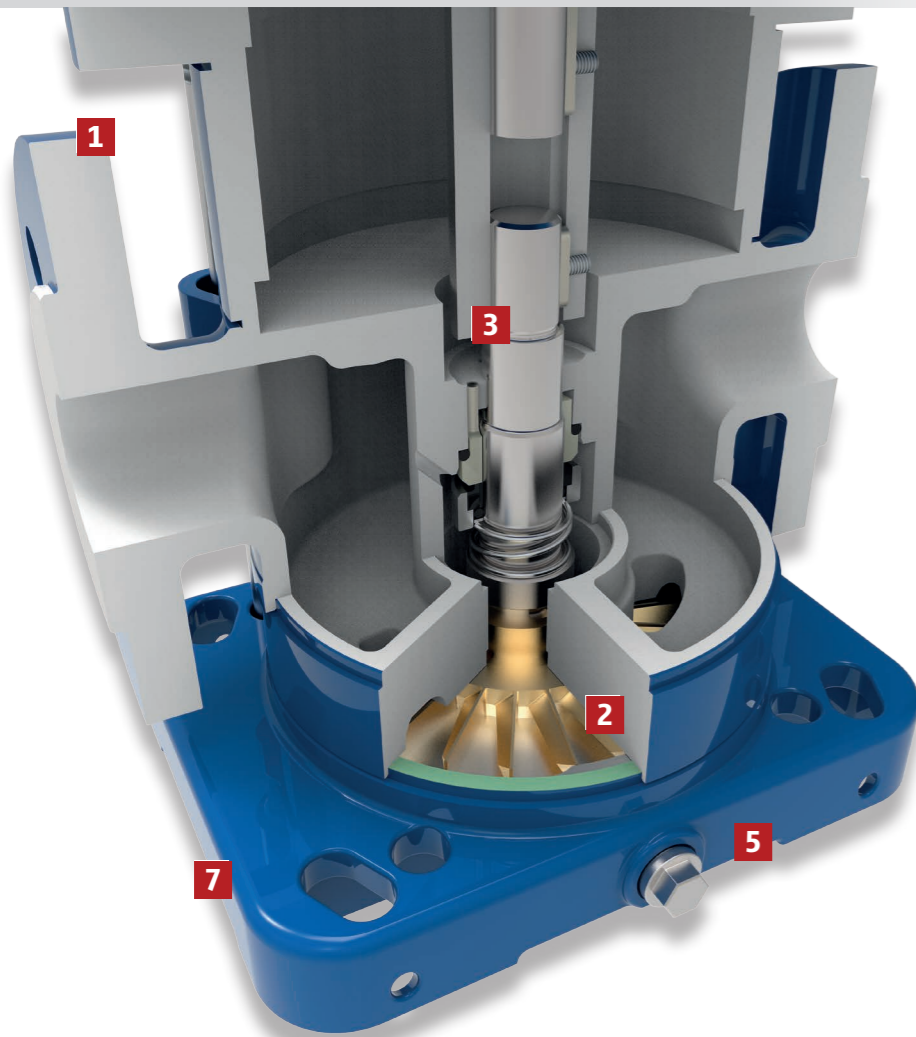


Vertical – Space-saving installation.
Handling of explosive, aggressive or toxic fluids.

SVG | SVM

SVG with mechanical seal



Features

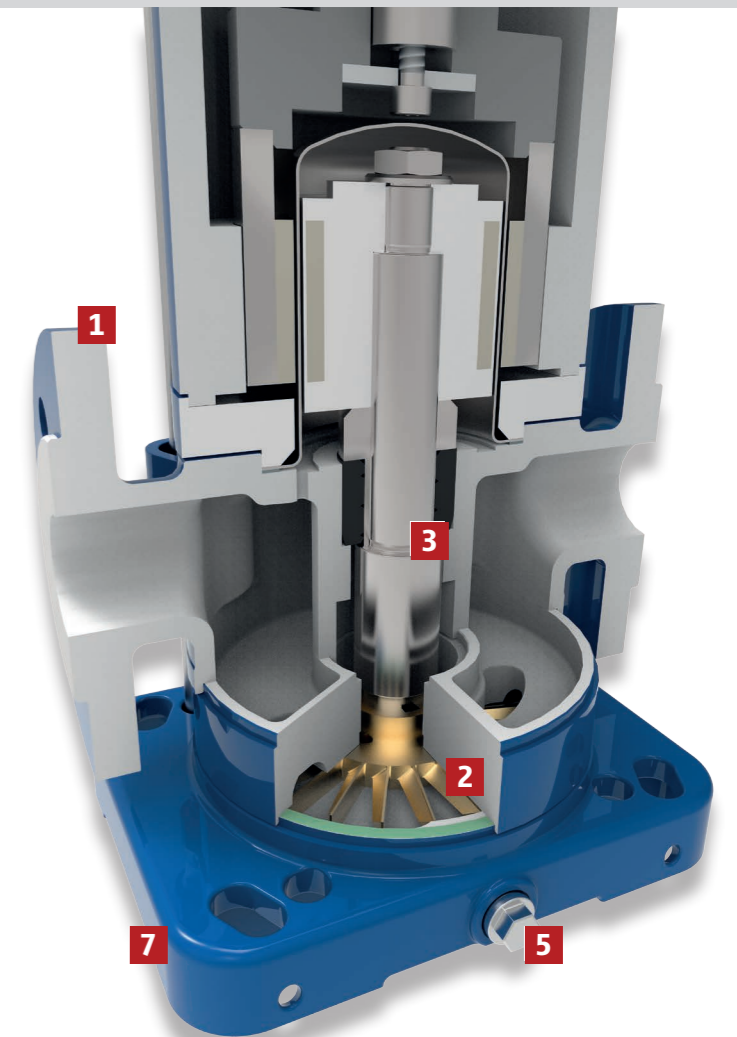
- 1** Inline-design (vertical) for limited space. Flanges acc. to DIN 1092 PN16.
- 2** Open star impeller with balance holes. Axial thrust forces are effectively balanced.
- 3** SVG – Short, rigid shaft and sleeve coupling for ideal quiet running at every load phase.
SVM – Low integrated axial-radial bearing bushing.

Operating Data

SVG SVM 110–550	
Flow rates	0,3 up to 20 m ³ /h (1450 1/min) 0,3 up to 24 m ³ /h (1750 1/min)
Heads	up to 51 m (1450 1/min) up to 74 m (1750 1/min)
Speed	900 - 1800 1/min
Temperature	-20 °C up to +120 °C
Nom. Pressure	up to 16 bar



SVM with magnetic drive



- 4** Medium lubricated bearing bushing made of special carbon at lower base center.
- 5** Drain connection at the base.
- 6** Connection to monitor the split can temperature.
- 7** Vertical design for small foot print.

Construction

SVG SVM 110–550	
Nozzle position	Inline
Flanges	acc. to DIN 1092 PN16
Shaft seal	single, unbalanced mechanical seal magnetic drive
Bearing	Medium lubricated bearing bushing at base. SVG - Motor bearing (with rigid coupling) SVM - Oversized axial-radial bearing bushing
Direction of rotation	counterclockwise (seen from drive end)

