

**Versa-Matic Pump Company**  
**Model E1, 1" Elima-Matic**  
**Plastic Pump Parts List**

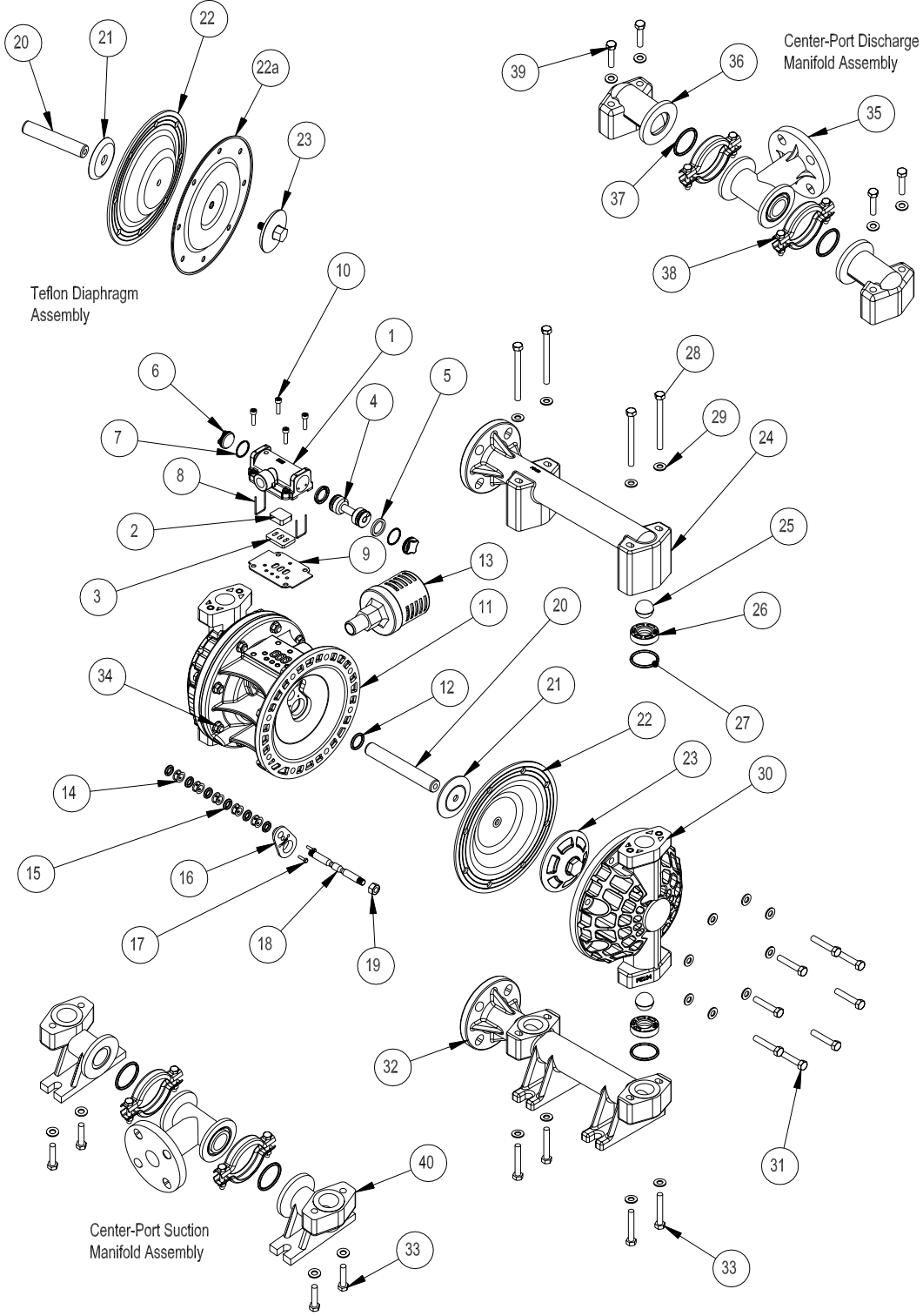
Pump Model Number			
With Rubber & XL Elastomers		With Teflon Elastomers	
E1PP Polypropylene	E1KP Kynar (PVDF)	E1PP5_5T Polypropylene	E1KP5_5T Kynar (PVDF)

Item	Description	Qty.	Applicable Part Number			
	Air Valve Assembly	1	E100			
1	Valve Body	1	E100A			
2	Air Diverter	1	E100G			
3	Valve Insert	1	E100H			
4	Valve Spool	1	E100B			
5	U-Cup	2	P98-104A			
6	End Cap	2	E500D			
7	End Cap O-Ring	2	E500E			
8	Staple Retainer	2	E500F			
9	Air Valve Gasket	1	E100J			
10	Sk Head Cap Screw	4	P24-208			
11	Center Section	1	E101A			
12	Main Shaft O-Ring	2	P50-403			
13	Muffler	1	VTM-4			
14	Pilot Spacer	5	P24-106P			
15	Pilot O-Ring	6	P24-107			
16	Shaft Retainer	2	E101B			
17	Self-Tapping Screw	4	E101C			
18	Pilot Shaft	1	P50-112			
19	Elastic Stop Nut	2	P24-108			
20	Shaft	1	P50-107		P50-108	
21	Inner Diaphragm Plate	2	V181C		V181TI	
22	Diaphragm (see below for material selection)	2	V183xx-1		V183TF-1 or V183TX	
22a	Back-Up Diaphragm	2	N/R		V183TB (use with V183TF-1)	
23	Outer Diaphragm Plate	2	PE113	KE113	PV181TO	KV181TO
24	Discharge Manifold	1	PE120	KE120	PE120	KE120
25	Valve Ball (see below for material selection)	4	V191xx		V191TF	
26	Valve Seat	4	PE108	KE108	PE108	KE108
27	Valve Seat O-Ring (see below for material selection)	4	V90xx			
28	Discharge Manifold Bolt	4	E120A			
29	Washer	24	SV189C			
30	Water Chamber	2	PE104	KE104	PE104	KE104
31	Water Chamber Bolt	16	SV187A			
32	Inlet Manifold	1	PE120F	KE120F	PE120F	KE120F
33	Inlet Manifold Bolt	4	SV187A			
34	Flange Nut	16	SV185B			
35	Manifold Tee	2	PV188	KV188	PV188	KV188
36	Discharge Elbow	2	PV186	KV186	PV186	KV186
37	Manifold Tee O-Ring	4	V188TF (Teflon) or V188XL (XL)			
38	Small Clamp Assembly	4	SV189			
39	Manifold Bolt	4	SV186A			
40	Inlet Elbow	2	PV187	KV187	PV187	KV187

Diaphragm Part Number & Material	Valve Ball Part Number & Material	Valve Seat O-Ring Part Number & Material
V183N-1 (Neoprene)	V191N (Neoprene)	V190TES (Teflon Encap. Silicone)
V183BN-1 (Buna-N)	V191BN (Buna-N)	V90BN (Buna-N)
V183ND-1 (Nordel)	V191ND (Nordel)	V90ND (Nordel)
V183VT-1 (Viton)	V191VT (Viton)	V90VT (Viton)
V183TPEXL-1 (XL)	V191TPEXL (XL)	
V183TPEFG (Hytrel FDA)	V191TPEFG (Hytrel FDA)	
V183TX (One Piece Teflon)		



# 1" Plastic Bolted Pump Exploded View

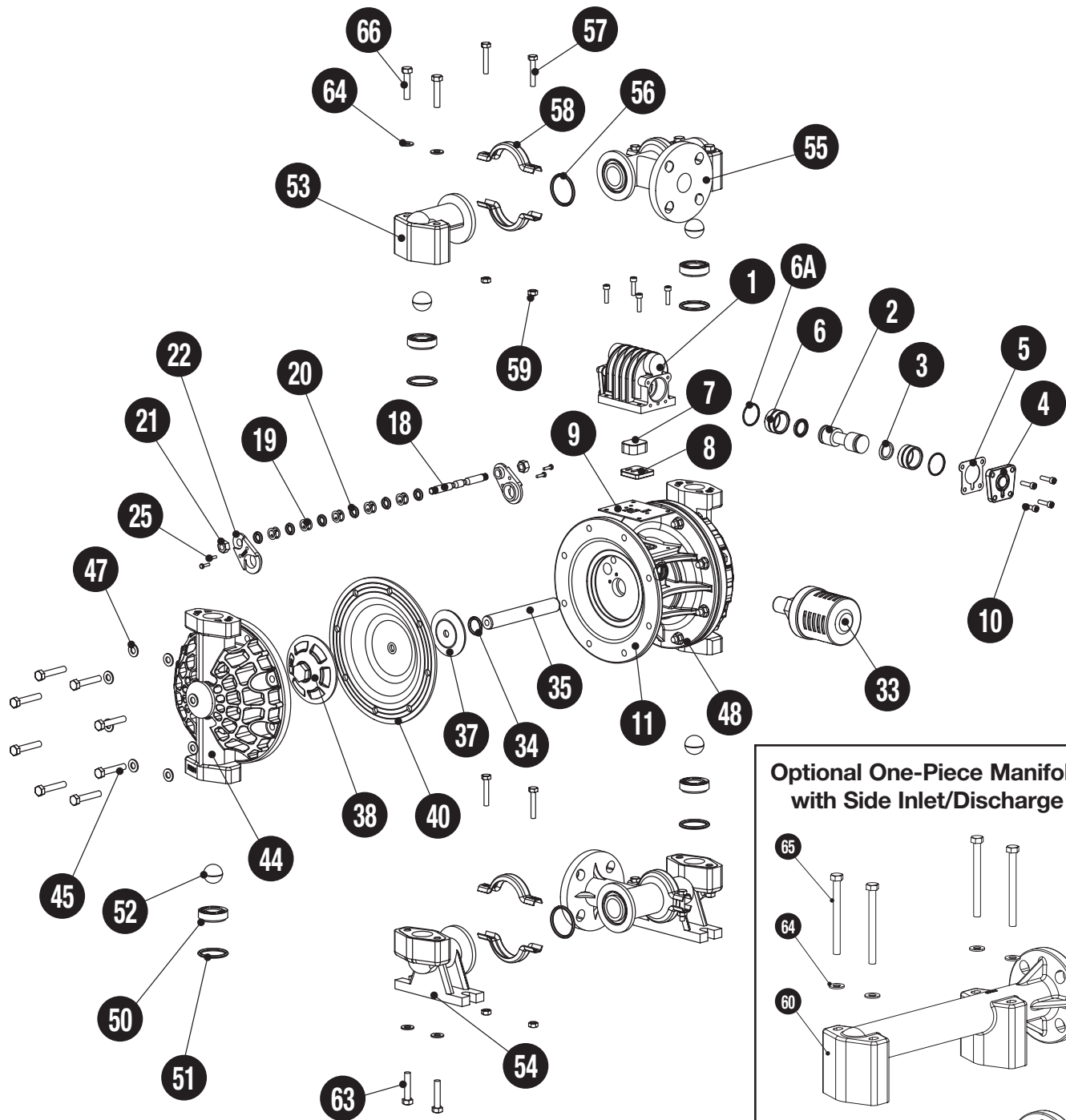


# PARTS LIST

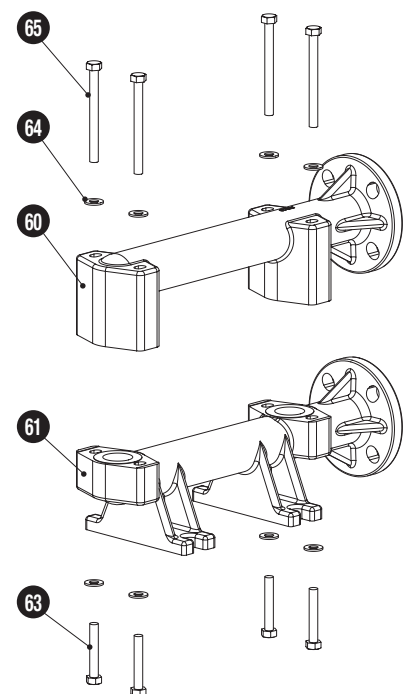
AIR VALVE ASSEMBLY					
Item	Description	Qty	Aluminum		
1	Valve Body	1	P50-102A		
2	Valve Spool	1	P98-104		
3	Valve Spool U-cup	2	P098-104A		
4	End Cap	2	P98-300		
5	End Cap Gasket	2	P98-110		
6	Bearing Sleeve	2	P98-103		
6A	Bearing Sleeve O-ring	2	P98-103A		
7	Air Diverter	1	P98-105		
8	Valve Insert	1	P98-106		
9	Valve Gasket	1	P98-111		
10	Valve Cap Screw	12	P24-208		
AIR END ASSEMBLY					
Item	Description	Qty	Aluminum		
11	Center Section	1	P50-101SC		
18	Pilot Shaft	1	P50-112		
19	Pilot Shaft Spacer	5	P24-106		
20	Pilot Shaft O-Ring	6	P24-107		
21	Nut	2	P24-108		
22	Shaft Retainer	2	E101B		
25	Shaft Retainer Screw	4	P24-208		
33	Muffler	1	VTM-4		
	Grounding Strap (not shown)	1	E518 (Poly Conductive model only)		
DIAPHRAGM ASSEMBLY					
Item	Description	Qty	TPE Rugged	Teflon Bonded	Teflon 2-Piece
34	Main Shaft O-Ring	2	P50-403	P50-403	P50-403
35	Main Shaft	1	P50-107	P50-108	P50-108
37	Inner Diaphragm Plate	2	V181C	V181TI	V181TI
38	Outer Diaphragm Plate	2	PE113, KE113	PV181TO, KV181TO	PV181TO, KV181TO
40	Diaphragm	2	V183BN-1, V183N-1, V183ND-1, V183TPEXL-1, V183TPEFG-1, V183VT	V183TX	V183TF-1
41	Back-up Diaphragm	2	N/A	N/A	V183TB
WET END ASSEMBLY					
Item	Description	Qty	Polypropylene	Kynar	Poly Conductive
44	Water Chamber	2	PE104	KE104	PE104-ATEX
45	Water Chamber Bolt	16	SV187A	SV187A	SV187A
47	Water Chamber Washer	16	SV189C	SV189C	SV189C
48	Water Chamber Nut	16	SV185B	SV185B	SV185B
50	Valve Seat	4	PE108	KE108	PE108-ATEX
51	Valve Seat O-Ring	4	V90BN, V90ND, V90VT, V190TES		
52	Valve Ball	4	V191BN, V191N, V191ND, V191TF, V191TPEFG, V191TPEXL, V191VT		
Port Option 1: Center port					
53	Manifold Discharge Elbow	2	PV186	KV186	N/A
54	Manifold Inlet Elbow	2	PV187	KV187	N/A
55	Manifold Tee	2	PV188	KV188	N/A
56	Manifold Tee O-Ring	4	V188BN, V188ND, V188VT, V188XL		
57	Manifold Tee Bolt	8	SV189B	SV189B	N/A
58	Manifold Tee Clamp	8	SV189	SV189	N/A
59	Manifold Tee Nut	8	SV162C	SV162C	N/A
63	Inlet Manifold Bolt	4	E120A	E120A	N/A
64	Manifold Washer	8	SV189C	SV189C	N/A
66	Discharge Manifold Bolt	4	E120B	E120B	N/A
Port Option 2: Side port					
60	Discharge Manifold	1	PE120	KE120	PE120-ATEX
61	Inlet Manifold	1	PE120F	KE120F	PE120F-ATEX
63	Inlet Manifold Bolt	8	E120A	E120A	E120A
64	Manifold Washer	8	SV189C	SV189C	SV189C
65	Discharge Manifold Bolt	8	E120B	E120B	E120B

# EXPLODED VIEWS

Exploded View shows Rugged Diaphragm and Three-Piece Manifold for Plastic Pump



## Optional One-Piece Manifold with Side Inlet/Discharge



## Teflon Diaphragms

