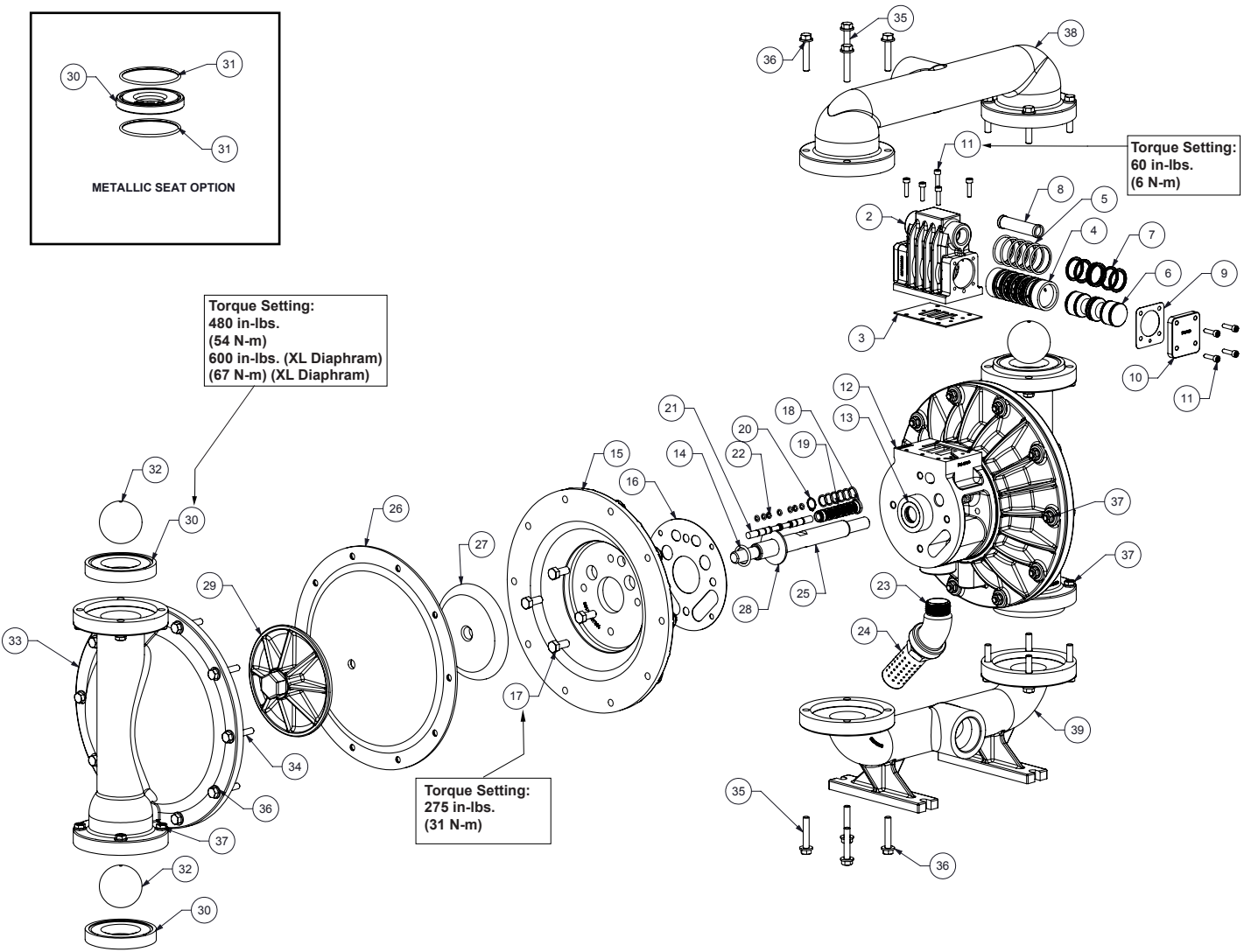
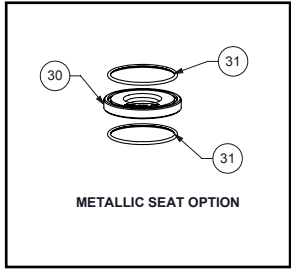


Composite Repair Parts Drawing



3: EXP VIEW

Composite Repair Parts List

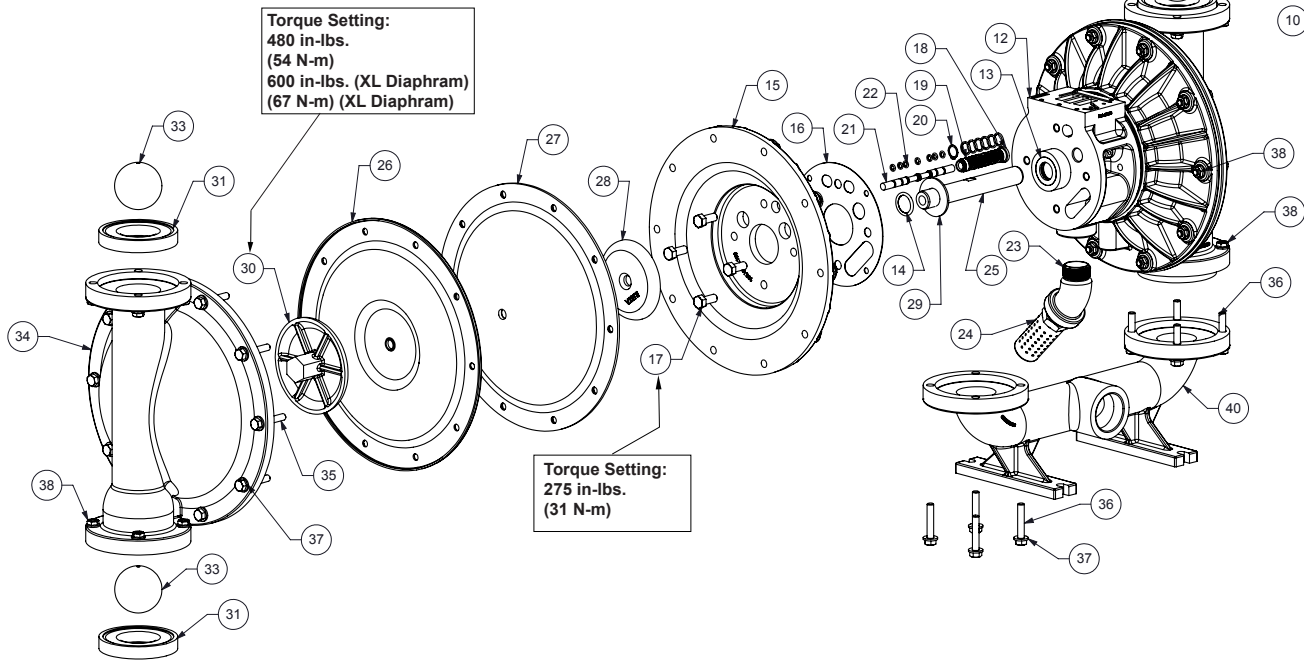
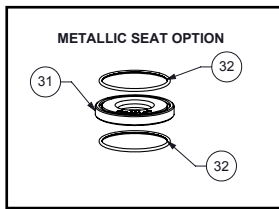
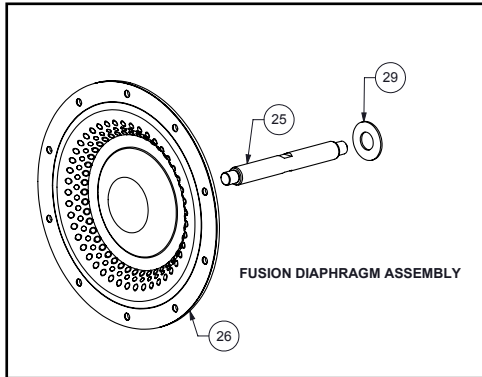
Air Valve Assembly						
Item #	Qty.	Description	Part Number			
			Aluminum	Stainless Steel	Nickle Plated	PTFE Coated
		Air Side Repair Kit (Includes Items 3,5,7,9,14,16,18-22)	476.V019.000			
1	1	Valve Body Assembly (includes items 2-11)	031.V001.156	031.V001.110	031.V001.332	031.V002.309
2	1	Valve Body	095.V001.156	095.V001.110	095.V001.332	095.V001.309
3	1	Valve Body Gasket	P24-202			
4	1	Valve Sleeve	755.V001.148			
5	6	O-ring	560.206.360			
6	1	Valve Spool Assembly (Includes items 7)	775.V001.000			
7	6	Glyde Ring Assembly	P34-204F			
8	1	Air Valve Screen	P24-210	P34-210	P24-210	P24-210
9	2	End Cap Gasket	P24-205			
10	2	End Cap	P34-300	SP34-300		P34-300TC
11	13	Mounting Screws	S1001			
Center Section Assembly						
Item #	Qty.	Description	Part Number			
			Aluminum	Stainless Steel	Nickle Plated	
12	1	Center Block Assembly (Includes item 13 & 14)	P24-400DC ASY	SP24-400	P24-401NP	
13	2	Bearing Sleeve	P31-403			
14	2	Main Shaft O-Ring	P24-403			
15	2	Air Chamber	196.V003.156	196.V003.110	196.V003.332	
16	2	Air Chamber Gasket	360.V001.465			
17	8	Bolt	P24-110	SP24-110		
		Pilot Repair Kit (Includes Items 18-22)	476.V018.000			
18	1	Pilot Sleeve Assembly (includes item 19)	755.V002.000			
19	6	O-ring	560.101.358			
20	1	Retaining Ring	675.037.080			
21	1	Pilot Spool Assembly (Includes item 22)	775.V002.000			
22	8	O-ring	560.023.358			
23	1	Muffler Elbow	P126-0072			
24	1	Muffler	530.033.000			
Diaphragm Assembly / Elastomers						
Item #	Qty.	Description	Part Number			
			Aluminum	Cast Iron	Stainless	
25	1	Main Shaft	P24-103			
26	2	Diaphragm (See Below Material Chart)	V227xx			
27	2	Inner Diaphragm Plate (See Note 3)	V226B, V226BNP, V226BTC, SV226B			
28	2	Bumper Washer	P24-501			
29	2	Outer Diaphragm Plate	VB226	SVB226		
30	4	Valve Seat (See Below Material Chart)	722.091.xxx			
31	8	Valve Seat O-Ring (See Below Material Chart)	(See Note 2)			
32	4	Valve Ball (See Below Material Chart)	050.005.xxx			
Wet End Assembly						
Item #	Qty.	Description	Part Number			
			Aluminum	Cast Iron	Stainless	
33	2	Water Chamber	196.V001.156	196.V001.010	196.V001.110	
34	20	Water Chamber Bolt	170.069.330		170.069.115	
35	16	Manifold Bolt	170.085.330		170.085.115	
36	36	Washer	901.038.330		901.038.115	
37	36	Nut	V185B		SV185B	
38	1	Discharge Manifold	518.V008.156	518.V008.010	518.V008.110	
39	1	Suction Manifold	518.V009.156	518.V009.010	518.V009.110	
Elastomer Material Specifications						
Material	"Versa-Dome Diaphragm P/N"	"Ball P/N"	Seat P/N		"Seat O-ring (See Note 2 Below)"	
Neoprene	V227N	050.005.365	722.091.365		560.084.365	
Nitrile	V227BN	050.005.360	722.091.360		560.084.360	
FKM	V227VT	050.005.363	722.091.363		560.084.363	
EPDM	V227ND	050.005.364	722.091.364		560.084.364	
PTFE	N/A (see PTFE fitted manual)	050.010.600	722.091.600		720.061.608	
Santoprene	V227TPEXL	050.005.354	N/A		560.084.354	
Hytre	V227TPEFG	N/A	N/A		720.061.608	
Aluminum	N/A	N/A	722.091.150 (See Note 1 Below)		720.061.608	
Carbon Steel	N/A	N/A	722.091.080 (See Note 1 Below)		720.061.608	
Stainless Steel	N/A	050.026.110	722.091.110 (See Note 1 Below)		720.061.608	

Notes:

- 1.) The metallic seat material is to match the water chamber material. In addition to this seat, (8) O-Rings are needed.(Ref Note 2)
- 2.) These (8) O-Rings are only used with metallic fitted seats. The O-Ring material is to match the diaphragm material.
- 3.) The inner diaphragm plate is to match the inner chamber material (Ref. Note 4)
- 4.) V = Aluminum, TC = PTFE Coated, NP = Nickel Plated, SV = Stainless Steel

3: EXP VIEW

Composite Repair Parts Drawing - PTFE Fitted



3: EXP VIEW

Composite Repair Parts List - PTFE Fitted

Air Valve Assembly						
Item #	Qty.	Description	Part Number			
			Aluminum	Stainless Steel	Nickle Plated	PTFE Coated
		Air Side Repair Kit (Includes Items 3,5,7,9,14,16,18-22)	476.V019.000			
1	1	Valve Body (includes items 2-11)	031.V001.156	031.V001.110	031.V001.332	031.V001.309
2	1	Valve Body	095.V001.156	095.V001.110	095.V001.332	095.V001.309
3	1	Valve Body Gasket	P24-202			
4	1	Valve Sleeve	755.V001.148			
5	6	O-ring	560.206.360			
6	1	Valve Spool Assembly (Includes items 7)	775.V001.000			
7	6	Glyde Ring Assembly	P34-204F			
8	1	Air Valve Screen	P24-210	P34-210	P24-210	
9	2	End Cap Gasket	P24-205			
10	2	End Cap	P34-300	SP34-300	P34-300TC	
11	13	Mounting Screws	S1001			

Center Section Assembly						
Item #	Qty.	Description	Part Number			
			Aluminum	Stainless Steel	Nickle Plated	PTFE Coated
12	1	Center Block Assembly (Includes item 13 & 14)	P24-400DC ASY	SP24-400	P24-401NP	P24-401TC
13	2	Bearing Sleeve	P31-403			
14	2	Main Shaft O-Ring	P24-403			
15	2	Air Chamber	P24-111	SP24-111	P24-111NP	P24-111TC
16	2	Air Chamber Gasket	360.V001.360			
17	8	Bolt	P24-110	SP24-110		
		Pilot Repair Kit (Includes Items 18-22)	476.V018.000			
18	1	Pilot Shaft Assembly (includes item 19)	P24-104			
19	6	O-ring	560.101.358			
20	1	Retaining Ring	P24-106			
21	1	Pilot Spool Assembly (Includes item 22)	775.V002.000			
22	8	O-ring	560.023.358			
23	1	Muffler Elbow	P126-0072			
24	1	Muffler	530.033.000			

Diaphragm Assembly / Elastomers								
Item #	Qty.	Description	Part Number					
			PTFE 2 Piece			Fusion		
			Aluminum	Cast Iron	Stainless	Aluminum	Cast Iron	Stainless
25	1	Main Shaft	P24-102			P24-103F		
26	2	Diaphragm	V227TF			V227F		
27	2	Back Up Diaphragm	V227TFB			N/A		
28	2	Inner Diaphragm Plate (See Note 3)	V221TI, V221TINP, V221TINP, SV221TI* (See note 5)			N/A		
29	2*	Bumper Washer	P24-501* (See note 5)			N/A		
30	2	Outer Diaphragm Plate	SVB226			N/A		
31	4	Valve Seat (See Below Material Chart)	722.091.xxx			(See Note 2)		
32	8	Valve Seat O-Ring (See Below Material Chart)	050.005.xxx			(See Note 2)		
33	4	Valve Ball (See Below Material Chart)	050.005.xxx			(See Note 2)		

Wet End Assembly						
Item #	Qty.	Description	Part Number			
			Aluminum	Cast Iron	Stainless	Stainless
34	2	Water Chamber	196.V001.156	196.V001.010	196.V001.110	
35	20	Water Chamber Bolt	170.069.330		170.069.115	
36	16	Manifold Bolt	170.085.330		170.085.115	
37	36	Washer	901.038.330		901.038.115	
38	36	Nut	V185B		SV185B	
39	1	Discharge Manifold	518.V008.156	518.V008.010	518.V008.110	
40	1	Suction Manifold	518.V009.156	518.V009.010	518.V009.110	

Elastomer Material Specifications				
Material	"Versa-Dome Diaphragm P/N"	"Ball P/N"	"Seat P/N"	"Seat O-ring (See Note 2 Below)"
PTFE	N/A (see PTFE fitted manual)	050.010.600	722.091.600	N/A
Aluminum	N/A	N/A	722.091.150 (See Note 1 Below)	720.061.608
Carbon Steel	N/A	N/A	722.091.080 (See Note 1 Below)	720.061.608
Stainless Steel	N/A	V241SS	722.091.110 (See Note 1 Below)	720.061.608

Notes:

- 1.) The metallic seat material is to match the water chamber material. In addition to this seat, (8) O-Rings are needed. (Ref Note 2)
- 2.) These (8) O-Rings are only used with metallic fitted seats. The O-Ring material is to match the diaphragm material.
- 3.) The inner diaphragm plate is to match the inner chamber material (Ref. Note 4)
- 4.) V = Aluminum, TC = PTFE Coated, NP = Nickel Plated, SV = Stainless Steel
- 5.) For Pumps with Stainless center pumps, increase quantity to 4

3: EXP VIEW