

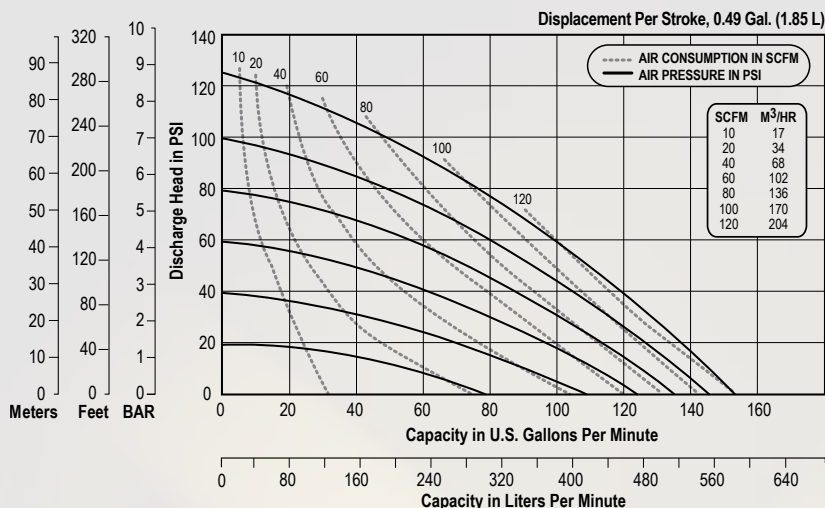
2" Elima-Matic Bolted Metallic – ATEX

with Metallic Center Section

BEDU
POMPEN

E2

Performance



NOTE: Performance based on the following: elastomeric fitted pump, flooded suction, water at ambient conditions. The use of other materials and varying hydraulic conditions may result in deviations in excess of 5%.

Specifications

Flow Rate

Adjustable to 0-160 gpm (606 lpm)

Port Size

Suction 2" ANSI Flange (DIN Compatible)

Discharge 2" ANSI Flange (DIN Compatible)

Air Inlet 1/2" NPT

Air Exhaust 1" NPT

Suction Lift

Dry 14' (4.3 m)

Wet 30' (9.1 m)

Max Solid Size (Diameter)

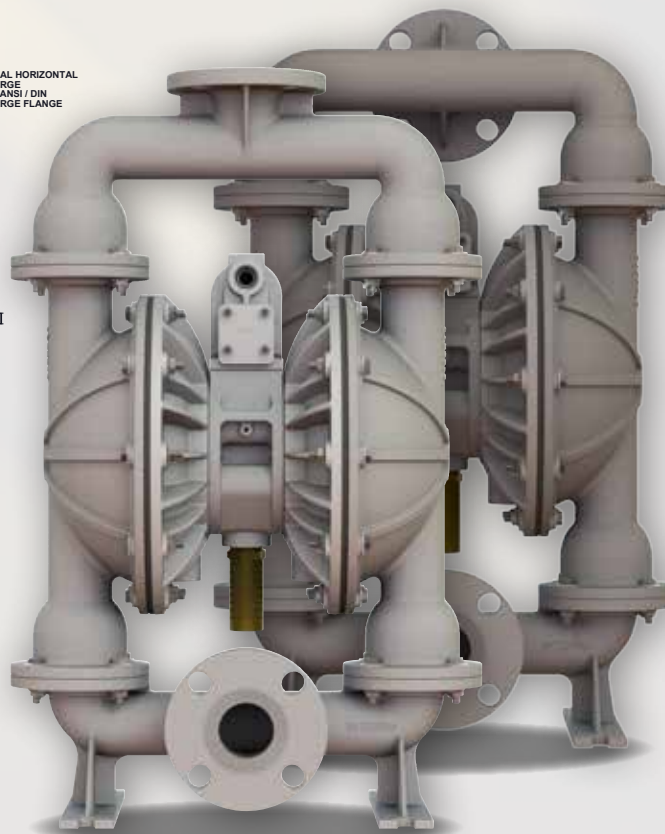
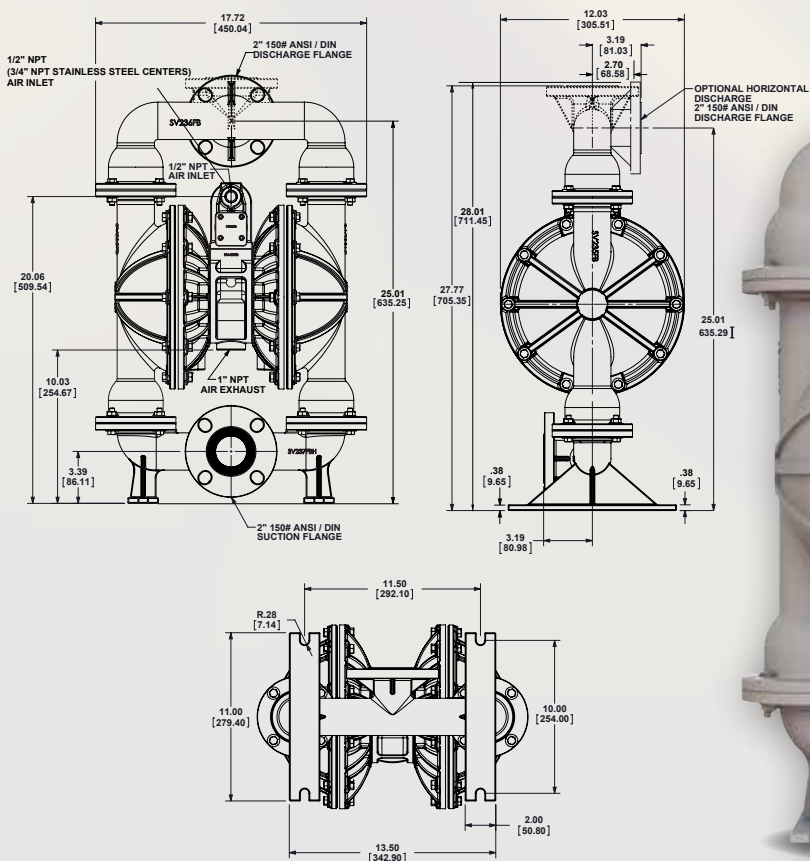
. 1/4" (6 mm)

Max Noise Level 94 dB(A)

Shipping Weights

Stainless 114 lbs (51.7 kg)

Dimensions



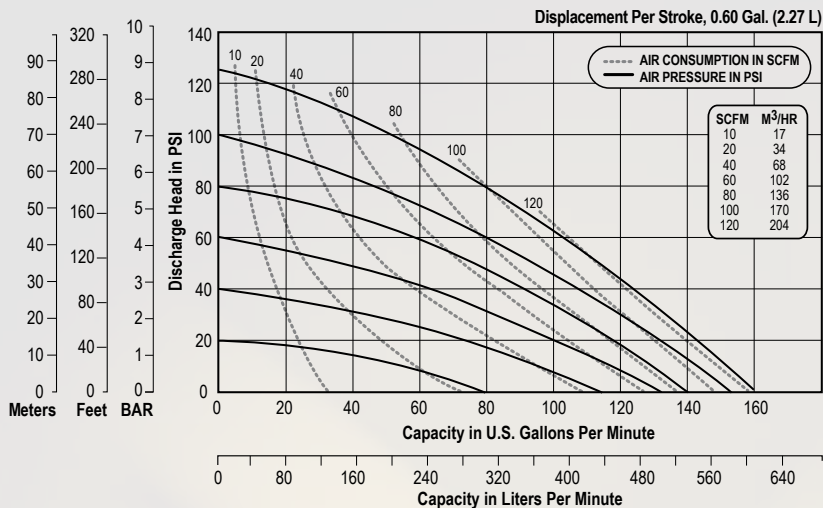
2" Elima-Matic Bolted Aluminum – ATEX

with Metallic Center Section

BEDU
POMPEN

E2

Performance



NOTE: Performance based on the following: elastomeric fitted pump, flooded suction, water at ambient conditions. The use of other materials and varying hydraulic conditions may result in deviations in excess of 5%.

Specifications

Flow Rate

Adjustable to 0-163 gpm (617 lpm)

Port Size

Suction 2" NPT

Discharge 2" NPT

Air Inlet 1/2" NPT

Air Exhaust 1" NPT

Suction Lift

Dry 18' (5.5 m)

Wet 32' (9.8 m)

Max Solid Size (Diameter)

. 7/16" (11.1 mm)

Max Noise Level 92 dB(A)

Shipping Weights

Aluminum 81 lbs (36.7 kg)

Dimensions

