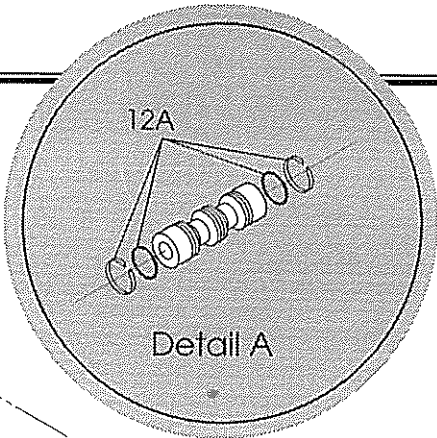


E2P/E2K 2" Pumps with Rubber Elastomers Assembly Drawing & Parts Lists



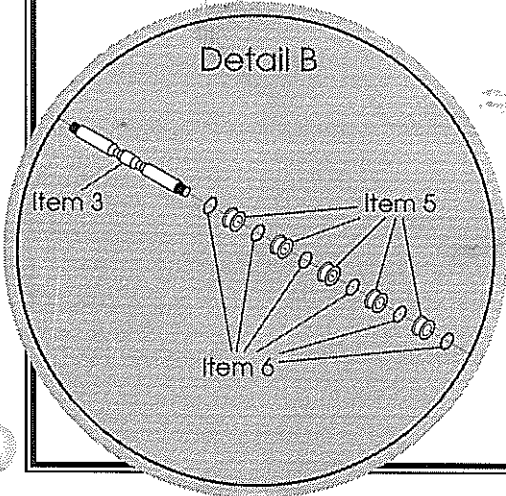
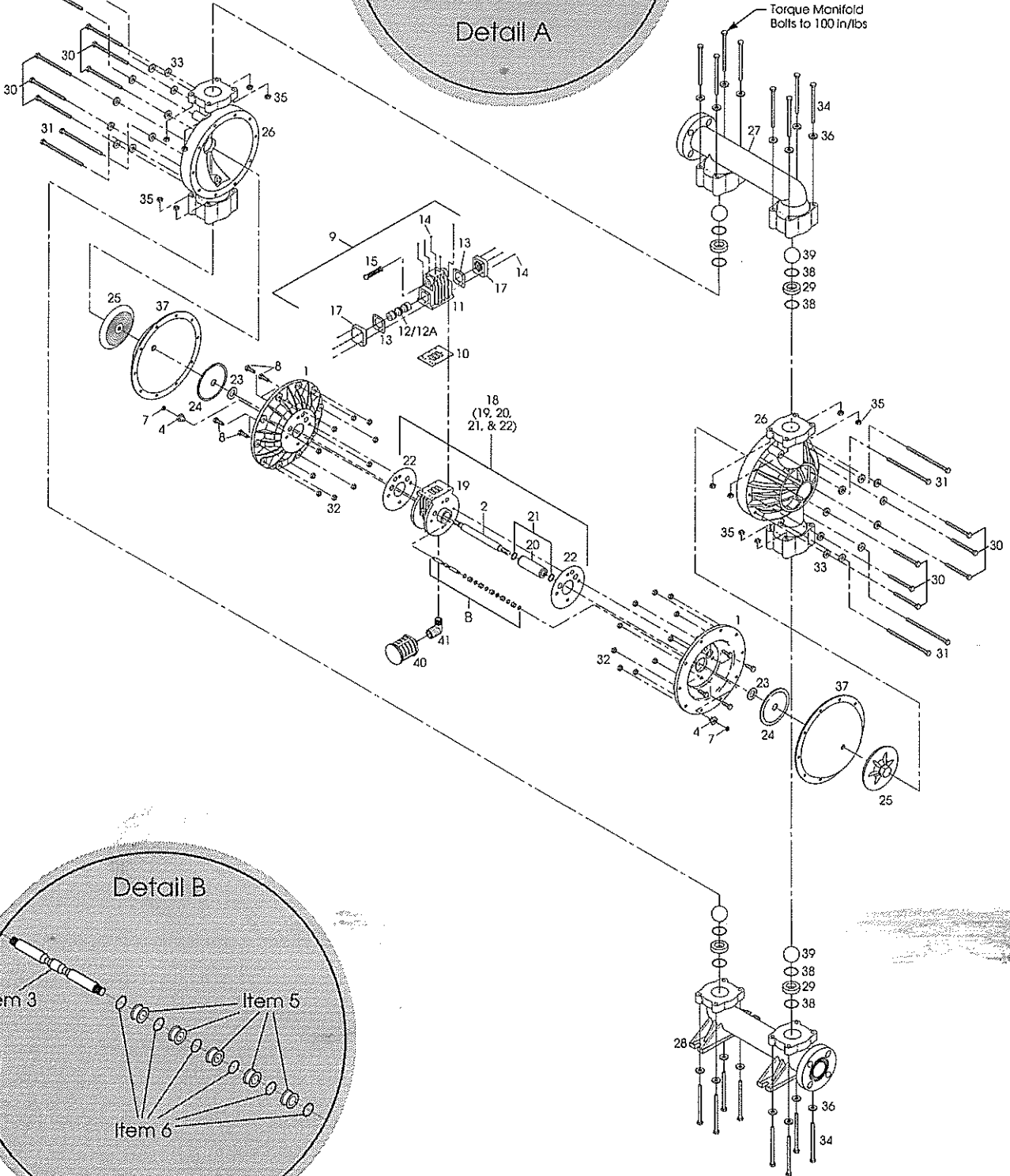
Item	Description	Qty	Pump Model Number			
			E2PA	E2KA	E2PS	E2KS
1	Air Chamber	2	P24-111		SP24-111	
2	Shaft	1	P24-103			
3	Pilot Shaft	1	P24-104			
4	Bushing, Threaded	2	P24-105		SP24-105	
5	Pilot Valve Spacer Rings	5	P24-106			
6	Pilot Valve O-Rings	6	P24-107			
7	Stop Nut	2	P24-108			
8	Bolt	8	P34-110		SP34-110	
9	Valve Assembly (Items 10-17)	1	P34-200		SP34-200	
10	Gasket, Air Valve	1	P24-202			
11	Valve & Sleeve Assembly	1	P34-211		SP34-211	
12	Spool, Air Supply	1	P34-204			
12a	Glyd Ring Assembly	2	P34-204F			
13	Gasket, End Cap	2	P24-205			
14	Cap Screw	13	P24-208			
15	Air Valve Screen	1	P24-210			
16						
17	End Cap Assembly	2	P34-300		SP34-300	
18	Center Block Assembly (Items 19-22)	1	P24-400		SP24-400	
29	Center Block	1	P24-401		SP24-401	
20	Bearing Sleeve	1	P24-402			
21	Center Block O-Ring	2	P24-403			
22	Center Block Gasket	2	P24-109			
23	Bumper Washer	2	P24-501			
24	Inner Diaphragm Plate	2	V226B		SV226B	
25	Outer Diaphragm Plate	2	PV226B	KV226B	PV226B	KV226B
26	Water Chamber	2	PV235	KV235	PV235	KV235
27	Discharge Manifold	1	PV236	KV236	PV236	KV236
28	Suction Manifold	1	PV237	KV237	PV237	KV237
29	Valve Seat	4	PV240	KV240	PV240	KV240
30	Bolt, Water Chamber (Short)	12	SV250A			
31	Bolt, Water Chamber (Long)	8	SV250B			
32	Flange Nut	20	SV185B			
33	Washer	20	SV189C			
34	Bolt, Manifold	16	SV251A			
35	Nut, Manifold	16	SV354B			
36	Washer, Manifold	32	SV302GA			
37	Diaphragm (See Chart)	2	V227 (Elastomer Code Suffix Required, See Chart)			
38	Valve Seat O-Ring (See Chart)	4	V258 (Elastomer Code Suffix Required, See Chart)			
39	Valve Ball	4	V241 (Elastomer Code Suffix Required, See Chart)			
40	Muffler	1	VTM-6			
41	Plastic Elbow	1	PV220G			

Diaphragms Material Codes	Valve Ball Material Code	O-Ring Material Code
V227N (Neoprene) V227BN (Buna-N) V227VT (Viton) V227ND (Nordel) V227TPEFG (Hytrel)	V241N (Neoprene) V241BN (Buna-N) V241VT (Viton) V241ND (Nordel) V241TF (Teflon) V241TPEFG (Hytrel) V241TPEXL (XL) V241P (Polyurethane)	V258ND (Nordel) V258TES (Teflon Encap. Silicone) V258BN (Buna-N) V258VT (Viton)



Torque Water Chamber
 Bolts to 150 in/lbs

Torque Manifold
 Bolts to 100 in/lbs

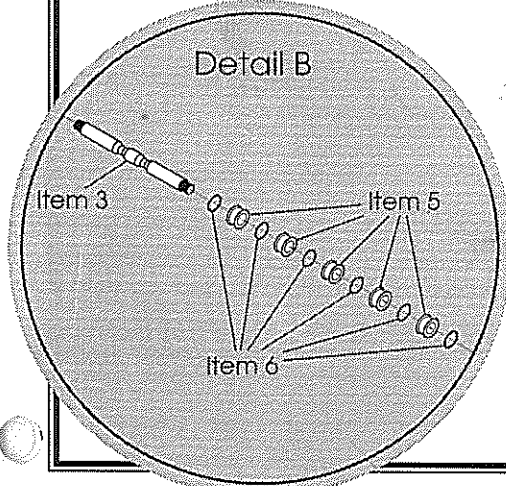
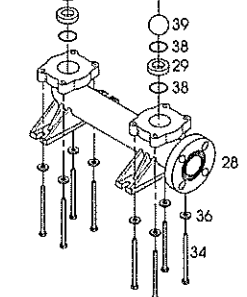
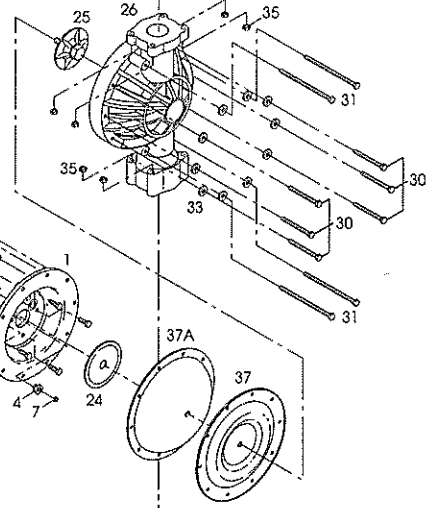
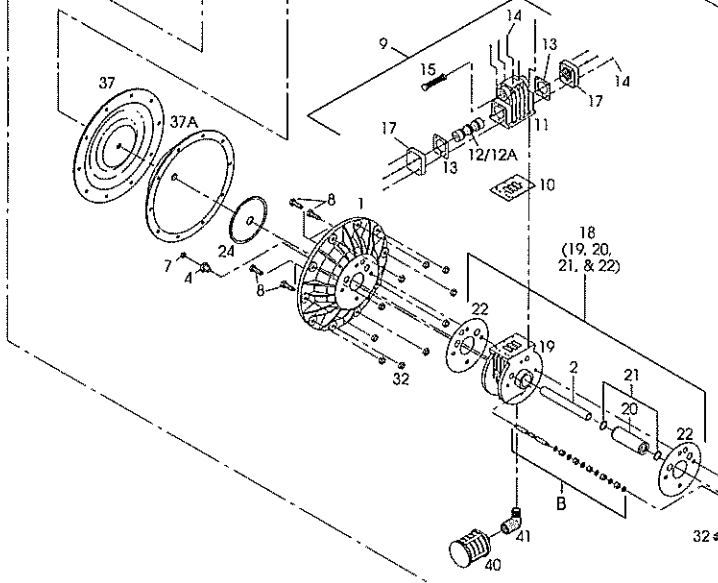
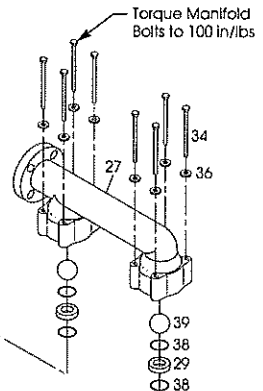
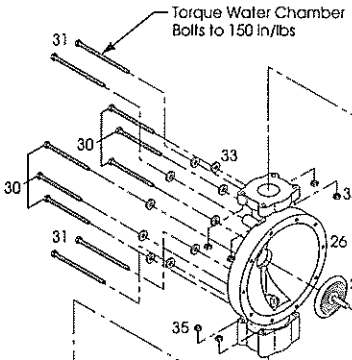
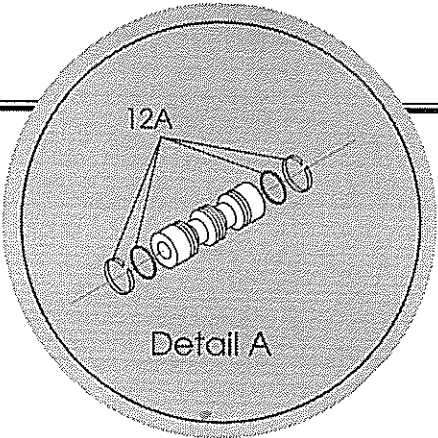


E2P/E2K 2" Pumps with Teflon Elastomers Assembly Drawing & Parts Lists



Item	Description	Qty	Pump Model Number			
			E2PA	E2KA	E2PS	E2KS
1	Air Chamber	2	P24-111		SP24-111	
2	Shaft	1	P24-102			
3	Pilot Shaft	1	P24-104			
4	Bushing, Threaded	2	P24-105		SP24-105	
5	Pilot Valve Spacer Rings	5	P24-106			
6	Pilot Valve O-Rings	6	P24-107			
7	Stop Nut	2	P24-108			
8	Bolt	8	P34-110		SP34-110	
9	Valve Assembly (Items 10-17)	1	P34-200		SP34-200	
10	Gasket, Air Valve	1	P24-202			
11	Valve & Sleeve Assembly	1	P34-211		SP34-211	
12	Spool, Air Supply	1	P34-204			
12a	Glyd Ring Assembly	2	P34-204F			
13	Gasket, End Cap	2	P24-205			
14	Cap Screw	13	P24-208			
15	Air Valve Screen	1	P24-210			
16						
17	End Cap Assembly	2	P34-300		SP34-300	
18	Center Block Assembly (Items 19-22)	1	P24-400		SP24-400	
19	Center Block	1	P24-401		SP24-401	
20	Bearing Sleeve	1	P24-402			
21	Center Block O-Ring	2	P24-403			
22	Center Block Gasket	2	P24-109			
23	Bumper Washer	2	N/R			
24	Inner Diaphragm Plate	2	V221TI		SV221TI	
25	Outer Diaphragm Plate	2	PV221TO	KV221TO	PV221TO	KV221TO
26	Water Chamber	2	PV235	KV235	PV235	KV235
27	Discharge Manifold	1	PV236	KV236	PV236	KV236
28	Suction Manifold	1	PV237	KV237	PV237	KV237
29	Valve Seat	4	PV240	KV240	PV240	KV240
30	Bolt, Water Chamber (Short)	12	SV250A			
31	Bolt, Water Chamber (Long)	8	SV250B			
32	Flange Nut	20	SV185B			
33	Washer	20	SV189C			
34	Bolt, Manifold	16	SV251A			
35	Nut, Manifold	16	SV354B			
36	Washer, Manifold	32	SV302GA			
37	Diaphragm (See Chart)	2	See Chart Below*			
37A	Back-Up Diaphragm	2	See Chart Below*			
38	Valve Seat O-Ring	8	V258TES*			
39	Valve Ball	4	V241TF			
40	Muffler	1	VTM-6			
41	Plastic Elbow	1	PV220G			

Pump Model Number	Diaphragm Part Number	Back-Up Diaphragm Part Number
E2PA5T5T9-OE	V227TF	V227TFB
E2PS5T5T9-OE	V227TF	V227TFB
E2KA5T5T9-OE	V227TF	V227TFB
E2KS5T5T9-OE	V227TF	V227TFB
E2PA5B5T9-OE	V227TX	N/R
E2PS5B5T9-OE	V227TX	N/R
E2KA5B5T9-OE	V227TX	N/R
E2KS5B5T9-OE	V227TX	N/R



U2P PARTS LIST

AIR VALVE ASSEMBLY

Item	Description	Qty	Standard: Polypropylene	Option 1: Conductive Polypropylene (ATEX)
	Air Valve Assembly (Includes items 1-10)	1	E200	E200-ATEX
1	Valve Body	1	E200A	E200A-ATEX
2	Valve Spool	1	E200B ASY (Includes U-Cups)	E200B ASY (Includes U-Cups)
3	Valve Spool U-Cup	2	P98-104A	P98-104A
4	End Cap	2	E500D ASY (Includes O-Rings)	E500D-ATEX ASY (Includes O-Rings)
5	End Cap O-Ring	2	E500E	E500E
6	End Cap Staple	2	E500F	E500F
7	Staple Retainer	2	E200L	E200L
8	Air Diverter	1	E200G	E200G
9	Valve Insert	1	E200H	E200H
10	Valve Gasket	1	E200J	E200J
11	Valve Cap Screw	4	P24-209	P24-209

AIR END ASSEMBLY

Item	Description	Qty	Standard: Polypropylene	Option 1: Conductive Polypropylene (ATEX)
12	Center Section	1	E201A	E201A-ATEX
17	Bushing	2	E201MB	E201MB
18	Pilot Shaft	1	E203A	E203A
19	Pilot Shaft Spacer	5	P24-106P	P24-106P
20	Pilot Shaft O-Ring	6	P24-107	P24-107
21	Stop Nut	2	P24-108	P24-108
22	Shaft Retainer – Left	1	E201B-L ASY (Includes O-Rings)	E201B-L ASY (Includes O-Rings)
23	Shaft Retainer – Right (not shown)	1	E201B-R ASY (Includes O-Rings)	E201B-R ASY (Includes O-Rings)
24	Shaft Retainer O-Ring	4	E201B-5	E201B-5
25	Shaft Retainer Screw	8	10-050	10-050
26	Exhaust Valve	2	E201D ASY	E201D ASY
27	Exhaust Sleeve O-Ring	2	E201M-1	E201M-1
28	Retainer Plate seat	2	E201B-3	E201B-3
29	Muffler Plate	1	E201H	E201H-ATEX
30	Muffler Plate Gasket	1	E200J-1	E200J-1
31	Muffler Plate Cap Screw	4	E201G	E201G
32	Muffler Elbow	1	PE201N	PE201N
33	Muffler	1	V20AEM	V20AEM

DIAPHRAGM ASSEMBLY

Item	Description	Qty	DOME	Teflon Bonded	Teflon 2-Piece
35	Main Shaft	1	P24-103	P24-102	P24-102
37	Inner Diaphragm Plate	2	V226B SV226B V226BTC V226BN	V221T SV221TI V221TITC V221TINP	V221TI SV221TI V221TITC V221TINP
38	Outer Diaphragm Plate	2	PV226B KV226B	PV221TO KV221TO	PV221TO KV221TO
40	Diaphragm	2	V227BN V227N V227ND V227VT V227XL V227FG V227FG	V227TX	V227TF
41	Back-up Diaphragm	2	N/A	N/A	V227TFB

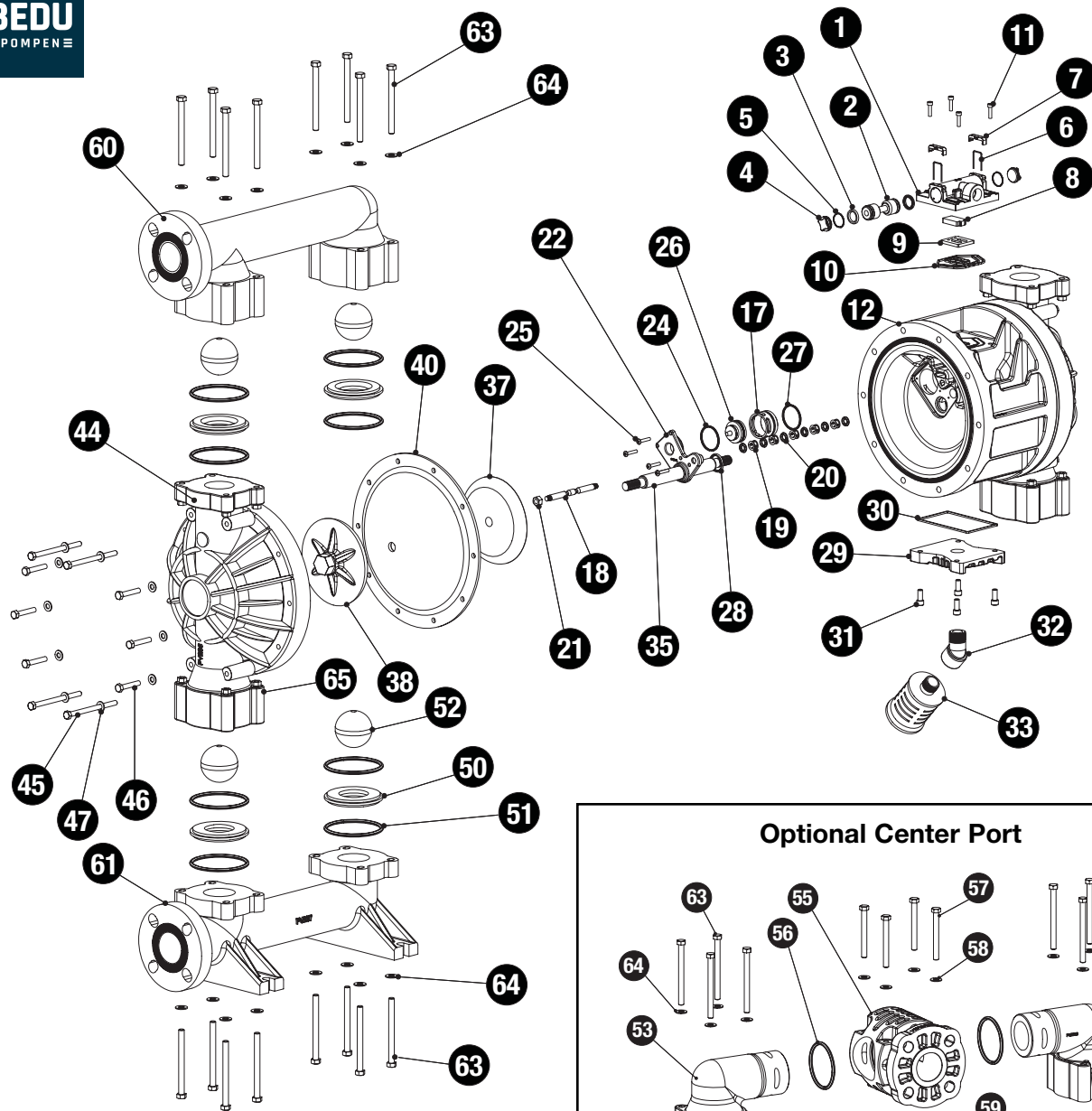
WET END ASSEMBLY

Item	Description	Qty	Standard: Polypropylene	Option 1: Kynar	Option 2: Conductive Polypropylene
44	Water Chamber	2	PV235	KV235	PV235-ATEX
45	Water Chamber Bolt (long)	8	E235A	E235A	E235A
46	Water Chamber Bolt (short)	12	SV186A	SV186A	SV186A
47	Water Chamber Washer	20	SV250C	SV250C	SV250C
50	Valve Seat	4	PV240	KV240	PV240
51	Valve Seat O-Ring	8	V258BN V258ND V258TES V258TEV V258VT V258XL		
52	Valve Ball	4	V241BN V241N V241ND V241P V241TF V241XL V241FG V241VT		
Port Option 1: Side Port					
60	Discharge Manifold	1	PV236	KV236	PV236-ATEX
61	Inlet Manifold	1	PV237	KV237	PV237-ATEX
63	Manifold Bolt	16	SV251A	SV251A	SV251A
64	Manifold Washer	16	SV302GA	SV302GA	SV302GA
65	Manifold Nut	16	SV251B	SV251B	SV251B
Port Option 2: Center Port					
53	Manifold Discharge Elbow	2	PV236E	KV236E	PV236E-ATEX
54	Manifold Inlet Elbow	2	PV237E	KV237E	PV237E-ATEX
55	Manifold Tee	2	PV288	KV288	PV288-ATEX
56	Manifold Tee O-Ring	4	V288BN V288TES V288XL	V288BN V288TES V288XL	V288BN V288TES V288XL
57	Manifold Tee Bolt	8	SV288B	SV288B	SV288B
58	Manifold Tee Washer	8	SV302GA	SV302GA	SV302GA
59	Manifold Tee Nut	8	SV251B	SV251B	SV251B
63	Manifold Bolt	16	SV251A	SV251A	SV251A
64	Manifold Washer	16	SV302GA	SV302GA	SV302GA
65	Manifold Nut	16	SV251B	SV251B	SV251B

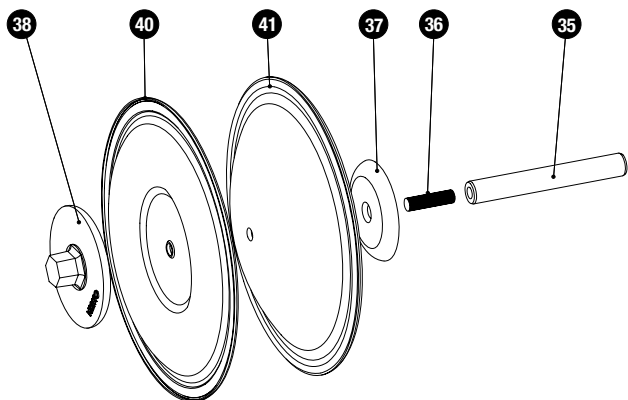
U2P EXPLODED VIEWS

BEDU
POMPE

Standard End Port with Dome Diaphragms



PTFE Diaphragms



Optional Center Port

