

BEDU
≡ POMPEN ≡

SNL
IN LINE PUMPS



made for your process



SNL

IN-LINE PUMPS



Handled Liquids

Clean or slightly contaminated low viscosity liquids without solid & fibrous particles.

Technical Data

Discharge Flange _____ DN 100.....DN 200 mm

Capacity _____ up to 500 m³/h

Head _____ up to 70 m

Speed _____ up to 1450 rpm

Motor Rating _____ up to 90 kW

Design Temperature _____ -10 °C' to +110 °C*

Casing Pressure (Pmax) _____ 10 bar (16 bar)*

(Pmax: Suction Pressure + Shut off Head)

(*) The Material of pumps differ according to the type of pumped liquid, operating temperature and pressure. Contact for detailed information.

- SNL pumps are rigidly coupled with electric motors of IEC frame sizes with high efficiency class.
- All impellers are balanced dynamically or statically according to ISO 1940 class 6.3.
- Axial thrust is balanced by impeller balancing holes system.
- The pump and motor have separate shafts connected by a rigid coupling and motor bearings absorb all pump axial thrust loads and radial load.
- Direction of rotation is clockwise viewed from drive end.

Design Features

- Volute casing, single stage, rigidly coupled in-line centrifugal pump with closed impeller.
- Suction and discharge flanges conform to EN 1092-2 / PN 16. (EN 1092-1 / PN 16 for steel or stainless steel casing)

Shaft Sealing

- Single mechanical seal, flushed by pumped liquid, uncooled and unbalanced.

Pump Designation

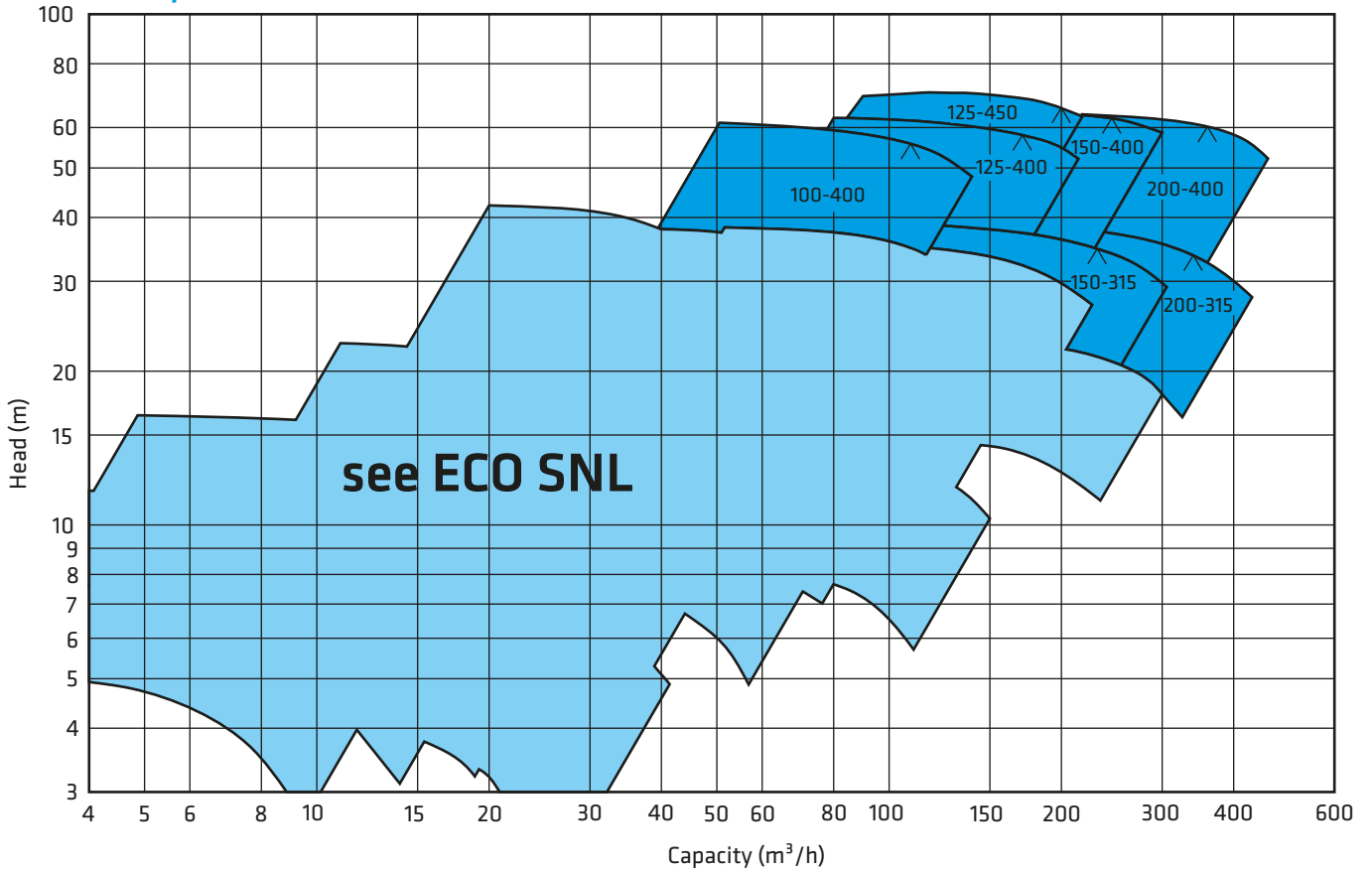
SNL 100 - 250

Pump Type _____

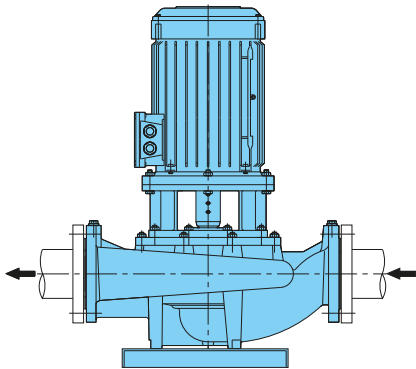
Suction and Discharge Nozzle (DN-mm) _____

Nominal Impeller Diameter (mm) _____

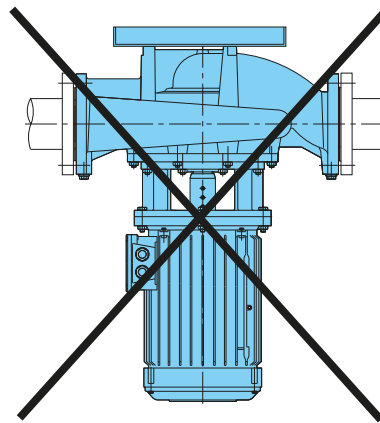
1450 rpm



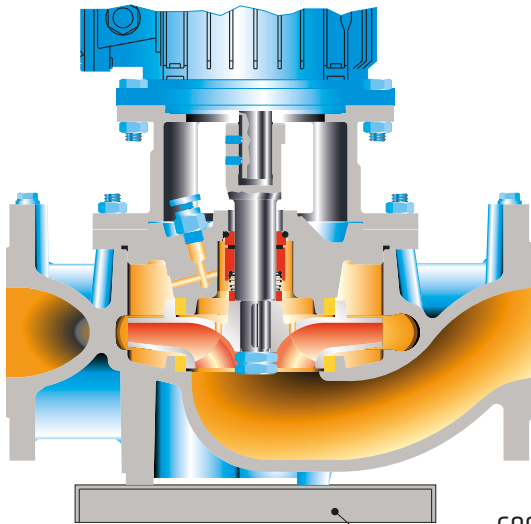
Installation Arrangements



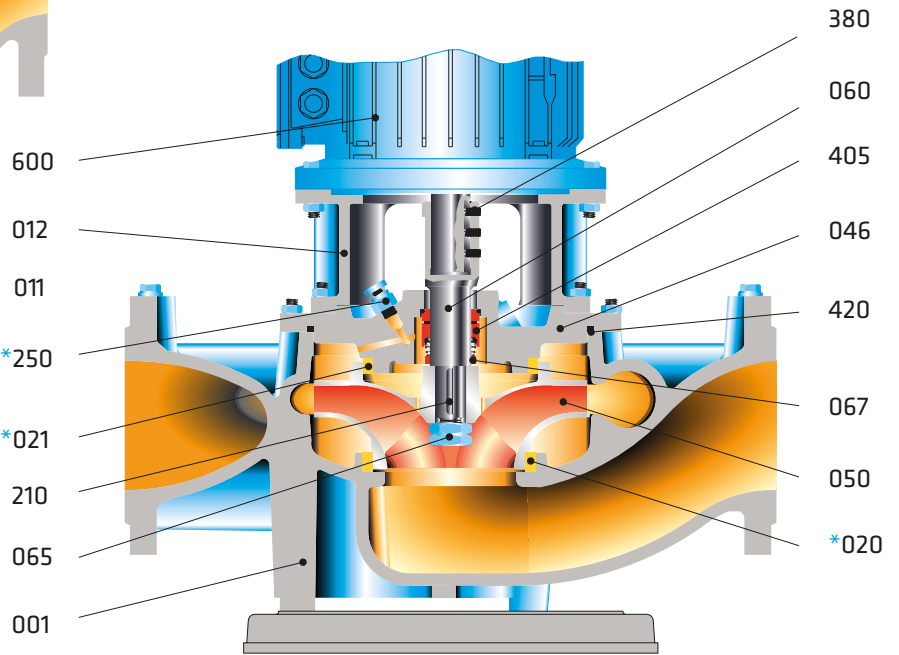
Standard installation type to horizontal pipe. (on ground)



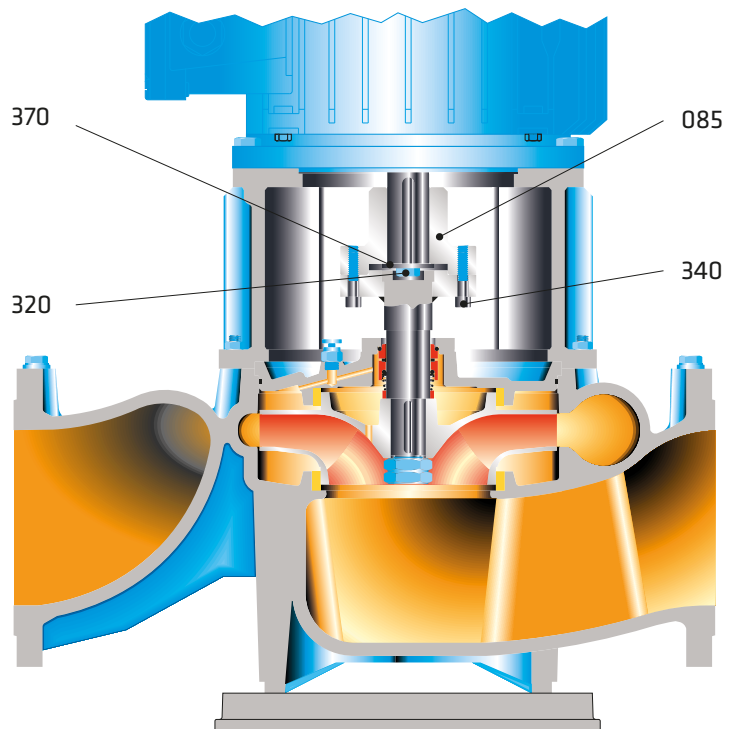
The axis of motor below the horizontal line is not admissible.



Form D1



Form D2

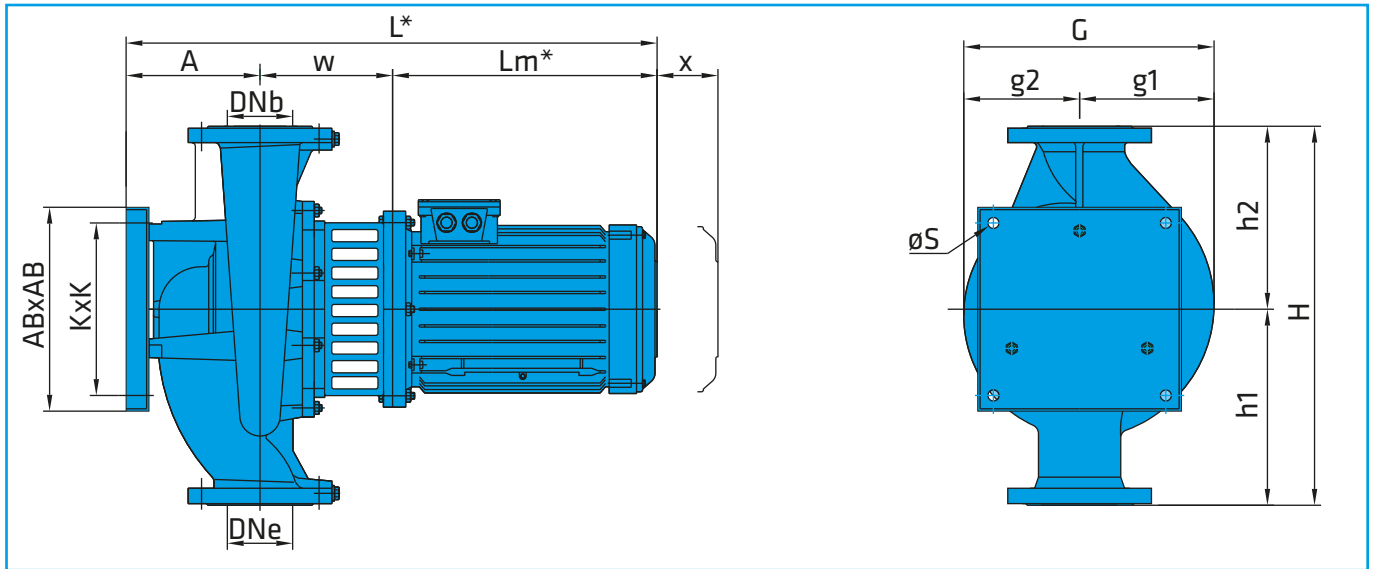


Form D3

Part List

- 001 Volute Casing
- 011 Base Plate (Foot)
- 012 Motor Pedestal
- *020 Wear Ring (Casing)
- *021 Wear Ring (Casing Cover)
- 046 Casing Cover
- 050 Impeller
- 060 Pump Shaft
- 065 Impeller Nut
- 067 Spacer Sleeve
- 085 Rigid Coupling
- 210 Impeller Key
- *250 Air Vent Screw
- 320 Hex. Head Bolt
- 340 Allen Bolt
- 370 Washer
- 380 Set-screw
- 405 Mechanical Seal
- 420 O-Ring
- 600 Electric Motor

(*) Optional



Technical Data

1450 rpm (4 Pole Motor)

FORM	Pump Type	MOTOR		DNe DNb mm	SNL DIMENSIONS (mm)*													Base Plate (**)	Weight (kg)*	
		kW	IEC		A	W	Lm	L	H	h1	h2	X	G	g1	g2	ABxAB	KxK			øS
D2	100-400	15	160L	100	190	255	476	921	800	400	400	160	558	288	270	400	350	18	T4	270
D2	100-400	18,5	180M	100	190	255	519	964	800	400	400	160	558	288	270	400	350	18	T4	293
D2	100-400	22	180L	100	190	255	519	964	800	400	400	160	558	288	270	400	350	18	T4	307
D3	100-400	30	200L	100	190	255	555	1000	800	400	400	160	558	288	270	400	350	18	T4	356
D3	100-400	37	225S	100	190	300	625	1115	800	400	400	160	558	288	270	400	350	18	T4	403
D2	125-400	22	180L	125	200	280	519	999	800	400	400	160	562	292	270	400	350	18	T4	336
D3	125-400	30	200L	125	200	280	555	1035	800	400	400	160	562	292	270	400	350	18	T4	385
D3	125-400	37	225S	125	200	325	625	1150	800	400	400	160	562	292	270	400	350	18	T4	432
D3	125-400	45	225M	125	200	325	625	1150	800	400	400	160	562	292	270	400	350	18	T4	469
D3	125-450	45	225M	125	205	325	625	1155	850	425	425	160	613	316	297	440	380	23	T5	574
D3	125-450	55	250M	125	205	325	644	1174	850	425	425	160	613	316	297	440	380	23	T5	594
D3	125-450	75	280M4	125	205	325	885	1415	850	425	425		613	316	293	440	380	23	T5	
D3	125-450	90	280M4	125	205	325	885	1415	850	425	425		613	316	293	440	380	23	T5	
D2	150-315	15	160L	150	225	315	476	1016	710	355	355	160	548	290	258	440	380	23	T5	290
D2	150-315	18,5	180M	150	225	315	519	1059	710	355	355	160	548	290	258	440	380	23	T5	319
D2	150-315	22	180L	150	225	315	519	1059	710	355	355	160	548	290	258	440	380	23	T5	327
D3	150-315	30	200L	150	225	315	555	1095	710	355	355	160	548	290	258	440	380	23	T5	376
D3	150-315	37	225S	150	225	360	625	1210	710	355	355	160	548	290	258	440	380	23	T5	423
D3	150-400	37	225S	150	225	360	625	1210	800	400	400	160	604	314	290	440	380	23	T5	483
D3	150-400	45	225M	150	225	360	625	1210	800	400	400	160	604	314	290	440	380	23	T5	520
D3	150-400	55	250M	150	225	360	644	1229	800	400	400	160	604	314	290	440	380	23	T5	540
D3	150-400	75	280M4	150	225	360	885	1470	800	400	400		604	314	290	440	380	23	T5	
D3	150-400	90	280M4	150	225	360	885	1470	800	400	400		604	314	290	440	380	23	T5	
D2	200-315	18,5	180M	200	245	355	519	1119	800	350	450	160	547	295	252	440	380	23	T5	384
D2	200-315	22	180L	200	245	355	519	1119	800	350	450	160	547	295	252	440	380	23	T5	392
D3	200-315	30	200L	200	245	355	555	1155	800	350	450	160	547	295	252	440	380	23	T5	441
D3	200-315	37	225S	200	245	385	625	1255	800	350	450	160	547	295	252	440	380	23	T5	488
D3	200-315	45	225M	200	245	385	625	1255	800	350	450	160	547	295	252	440	380	23	T5	522
D3	200-400	37	225S	200	245	400	625	1270	900	400	500	160	618	328	290	440	380	23	T5	493
D3	200-400	45	225M	200	245	400	625	1270	900	400	500	160	618	328	290	440	380	23	T5	527
D3	200-400	55	250M	200	245	400	644	1289	900	400	500	160	618	328	290	440	380	23	T5	550
D3	200-400	75	280M4	200	245	400	885	1530	900	400	500		618	328	290	440	380	23	T5	
D3	200-400	90	280M4	200	245	400	885	1530	900	400	500		618	328	290	440	380	23	T5	

1- (*) Dimensions and weights may change according to motor brand.

2- (**) Optional

3- Rights reserved to change without notice.

4- Base plate (foot) may differ for marine sector. Please consult to sales depermant for more information.

Part List	10	30	35	20	60	6L	70	7L	8M	7D	7S	8N	80	4C	4A	40	80	8T	60	7L	7E	7D	
	0.6025	0.7040	0.7043	1.0619	1.4308	1.4309	1.4408	1.4409	1.4500	1.4517	1.4469	1.4317	1.4008	2.1050.01	2.0975.01	2.1096.01	1.4021	1.4021+QT	1.4301	1.4404	1.4460	1.4462	
Volute Casing	●	○	○	○	○	○	○	○	○	○	○	○	○	○	○	○							
Casing Cover	●	○	○	○	○	○	○	○	○	○	○	○	○	○	○	○							
Impeller	●	○	○	○	○	○	○	○	○	○	○	○	○	○	○	○						○	
Shaft																	●	○	○	○			○
Motor Pedestal	●	○	○	○	○	○	○	○															
Wear Ring	○	○	○	○	○	○	○	○	○	○	○	○	○	○	○	○							
Spacer Sleeve																	●	○	○	○			○
Mechanical Seal (*)	EN 12756																						

(*) Optional :Depending on customer requirement or request different types and brands of mechanical seals are applicable.

● Standard manufacturing
○ Optional

Material Equivalents

TANIM	DIN / EN		AISI / SAE / ASTM
Cast Iron	0.6025	EN-GJL-250 (GG25)	A48 Class 40B
Nodular Cast Iron	0.7040	EN-GJS-400-15 (GGG40)	A536 60-40-18
Nodular Cast Iron	0.7043	EN-GJS-400-18-LT (GGG40.3)	A536 60-40-18
Cast Steel	1.0619	GP240GHGS-C25	A216 WCB
Chrome Nickel Cast Steel	1.4308	GX5CrNi19-10	A351 CF8
Chrome Nickel Cast Steel (low carbon)	1.4309	GX2CrNi19-11	A351 CF3
Chrome Nickel Molybdenum Cast Steel	1.4408	GX5CrNiMo19-11-2	A351 CF8M
Chrome Nickel Molybdenum Cast Steel (low carbon)	1.4409	GX2CrNiMo19-11-2	A351 CF3M
Austenitic Cast Steel	1.4500	GX7NiCrMoCuNb25-20	A351 CN7M
Austenitic - Ferritic Cast Steel (duplex)	1.4517	GX2CrNiMoCuN25-6-3-3	A890 CD4MCuN
Austenitic - Ferritic Cast Steel (super duplex)	1.4469	GX2CrNiMoN26-7-4	A890 CE3MN
Martenzitic Stainless Cast Steel	1.4317	GX4CrNi13-4	A352 CA6NM
Martenzitic Stainless Cast Steel	1.4008	GX7CrNiMo12-1	A217 CA15
Cast Bronze (tin alloy)	2.1050.01	G-CuSn10	B427 C90700
Cast Bronze (nickel alloy)	2.0975.01	G-CuAl10Ni	B148 C95500
Cast Bronze (lead)	2.1096.01	G-CuSn5ZnPb	B584 C83600
Chrome Steel	1.4021	X20Cr13	A276 Type 420
Chrome Steel(heat treated)	1.4021	X20Cr13	A276 Type 420+QT
Chrome Nickel Steel	1.4301	X5CrNi18-10	A276 Type 304
Chrome Nickel Steel (low carbon)	1.4404	X2CrNiMo17-12-2	A276 Type 316L
Duplex (austenitic-ferritic) Steel	1.4460	X3CrNiMoN27-5-2	AISI 329
Duplex (austenitic-ferritic) Steel	1.4462	X2CrNiMoN22-5-3	UNS S32205

Flange Dimensions

EN 1092 - 2

DNe/DNb	Suction & Discharge (PN 16)			
	Df	k	s	n
40	150	110	19	4
50	165	125	19	4
65	185	145	19	4
80	200	160	19	8
100	220	180	19	8
125	250	210	19	8
150	285	240	23	8
200	340	295	23	12

“ n “ number of holes