

# SERVICE & OPERATING MANUAL

ORIGINAL INSTRUCTIONS

# E2

**BEDU**  
POMPEN

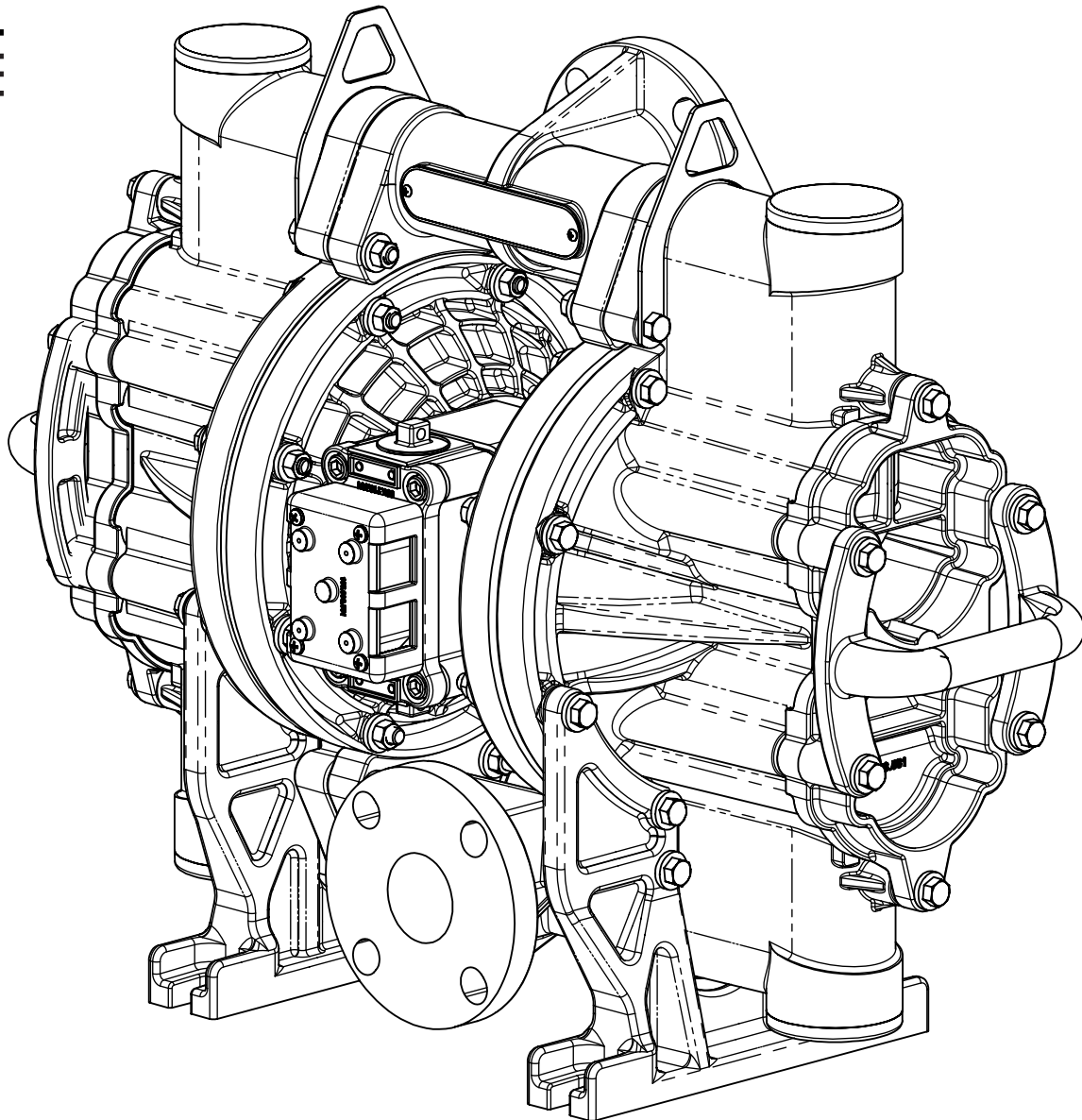
## 2" Elima-Matic Bolted Flap Pump

with Plastic Center Section

### E2 Plastic Pumps

- Polypropylene

**EAC**  
**CE**



**VERSAMATIC®**

1: PUMP SPECS

2: INSTAL & OP

3: EXP VIEW

4: WARRANTY

# Safety Information

## IMPORTANT



Read the safety warnings and instructions in this manual before pump installation and start-up. Failure to comply with the recommendations stated in this manual could damage the pump and void factory warranty.



When the pump is used for materials that tend to settle out or solidify, the pump should be flushed after each use to prevent damage. In freezing temperatures the pump should be completely drained between uses.

## CAUTION



Before pump operation, inspect all fasteners for loosening caused by gasket creep. Retighten loose fasteners to prevent leakage. Follow recommended torques stated in this manual.



Plastic pumps and plastic components are not UV stabilized. Ultraviolet radiation can damage these parts and negatively affect material properties. Do not expose to UV light for extended periods of time.



### **WARNING**

Pump not designed, tested or certified to be powered by compressed natural gas. Powering the pump with natural gas will void the warranty.



### **WARNING**

The use of non-OEM replacement parts will void (or negate) agency certifications, including CE, ATEX, CSA, 3A and EC1935 compliance (Food Contact Materials). Warren Rupp, Inc. cannot ensure nor warrant non-OEM parts to meet the stringent requirements of the certifying agencies.

## WARNING



When used for toxic or aggressive fluids, the pump should always be flushed clean prior to disassembly.



Before maintenance or repair, shut off the compressed air line, bleed the pressure, and disconnect the air line from the pump. Be certain that approved eye protection and protective clothing are worn at all times. Failure to follow these recommendations may result in serious injury or death.



Airborne particles and loud noise hazards. Wear eye and ear protection.



In the event of diaphragm rupture, pumped material may enter the air end of the pump, and be discharged into the atmosphere. If pumping a product that is hazardous or toxic, the air exhaust must be piped to an appropriate area for safe containment.



Take action to prevent static sparking. Fire or explosion can result, especially when handling flammable liquids. The pump, piping, valves, containers and other miscellaneous equipment must be properly grounded.



This pump is pressurized internally with air pressure during operation. Make certain that all fasteners and piping connections are in good condition and are reinstalled properly during reassembly.



Use safe practices when lifting

# Table of Contents

## SECTION 1: PUMP SPECIFICATIONS.....1

- Nomenclature
- Materials
- Performance
- Dimensional Drawings

## SECTION 2: INSTALLATION & OPERATION ...8

- Principle of Pump Operation
- Typical Installation Guide
- Troubleshooting

## SECTION 3: EXPLODED VIEW.....11

- Composite Drawings
- Parts List
- Material Codes

## SECTION 4: AIR END .....14

- Air Distribution Valve Assembly
- Pilot Valve Assembly
- Intermediate Assembly

## SECTION 5: WET END.....18

- Diaphragm Drawings
- Diaphragm Servicing

## SECTION 6: WARRANTY & CERTIFICATES ..20

- Warranty
- EU Declaration of Conformity - Machinery Directive
- EU Declaration of Conformity - ATEX Directive

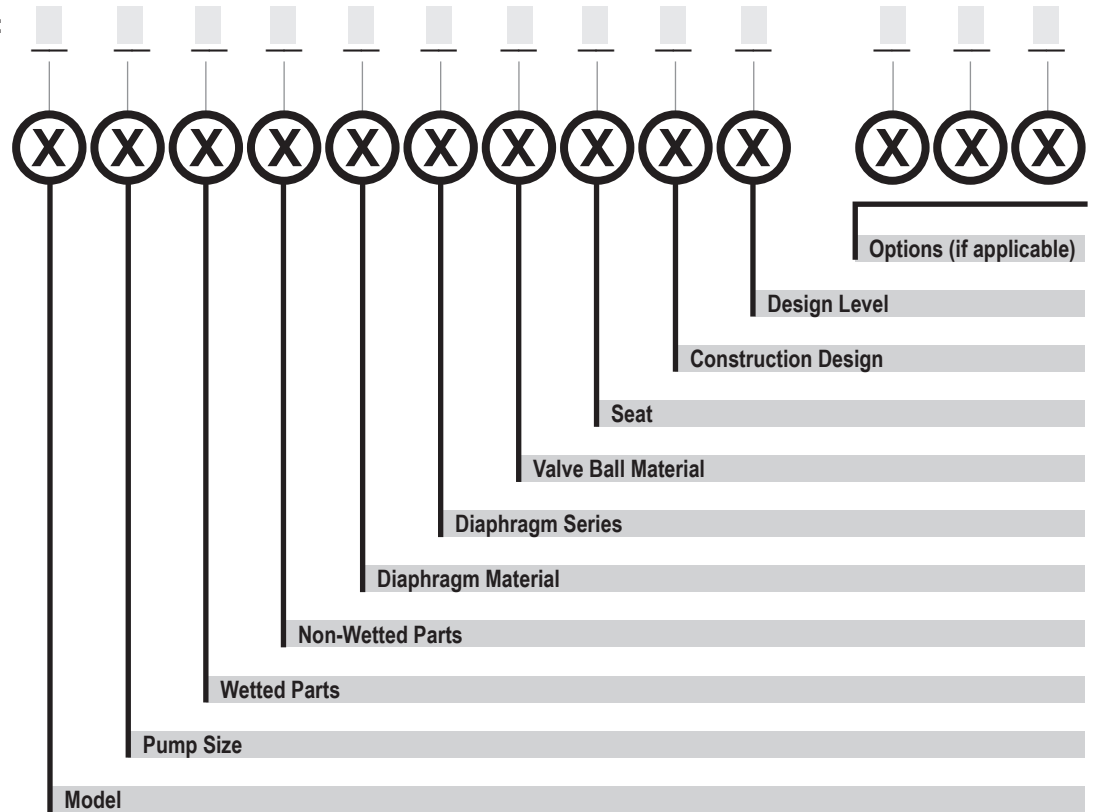
# Explanation of Pump Nomenclature



Your Serial #: (fill in from pump nameplate) \_\_\_\_\_

Your Model #: (fill in from pump nameplate)

Model #:



<b>Model</b> E Elima-Matic	<b>Pump Size</b> 2 2"	<b>Wetted Parts</b> P Polypropylene	<b>Non-Wetted Parts</b> P Polypropylene	<b>Diaphragm Material</b> 1 Neoprene 2 Nitrile 3 FKM (Fluorocarbon) 4 EPDM 6 Santoprene XL 7 Hytrel
<b>Diaphragm Series</b> R Rugged X Thermo-Matic	<b>Valve Flap Material Valve</b> 1 Neoprene 2 Nitrile 4 EPDM 7 Hytrel	<b>Seat</b> S Stainless Steel	<b>Construction Design</b> 9 Bolted	<b>Miscellaneous Options</b> B BSP Tapered Thread F Flap Valve Pump N NPT Tapered Thread
			<b>Design Level</b> A	

\*More than one option may be specified for a particular pump model.

1: PUMP SPECS  
2: INSTAL & OP  
3: EXP VIEW  
4: AIR END

1: PUMP SPECS

# Materials



## E2 Plastic 2" Bolted Flap Pump

### Flow Rate

Adjustable to . . . . . 0-150 gpm (0-567 lpm)

### Port Size

- 2" ANSI / DIN Flange
- 2" Female NPT
- 2" Female BSP

**Air Inlet** . . . . . 3/4" NPT

**Air Exhaust** . . . . . 1" NPT

### Suction Lift

Dry:

- Elastomer . . . . . 19' (5.8 m)
- Sanotprene . . . . . 15' (4.6 m)
- Wet . . . . . 24' (7.3 m)

### Max Solid Size (Diameter)

. . . . . 1.8" (45.7 mm)

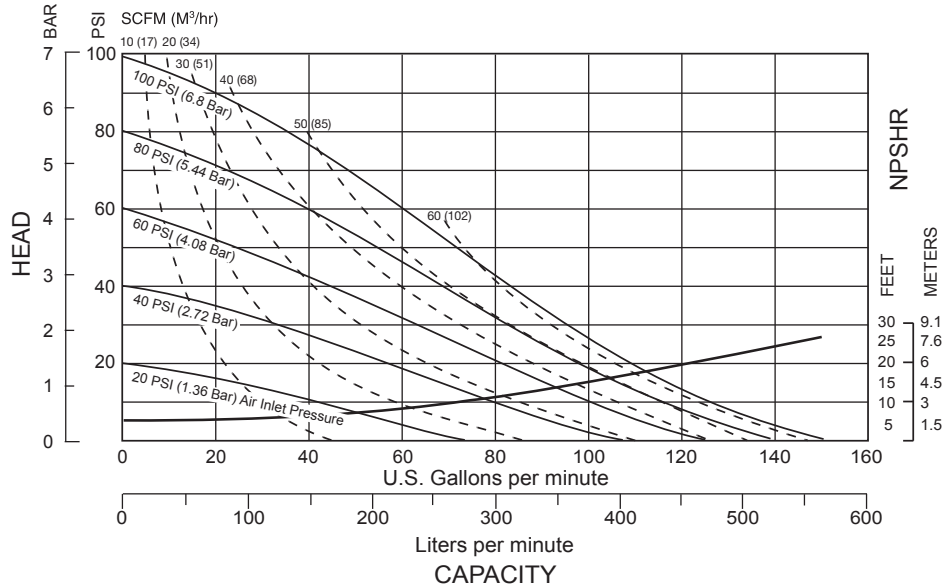
### Max Noise Level

. . . . . 89 dB(A)

### Weights

- Pump . . . . . 53 lbs. (24 kg)
- Shipping Weight . . . . . 70 lbs. (32 kg)

Performance based on the following: elastomer fitted pump, flooded suction, water at ambient conditions. The use of other materials and varying hydraulic conditions may result in deviations in excess of 5%.



1: PUMP SPECS

Material Profile:	Operating Temperatures:	
	Max.	Min.
<b>CAUTION!</b> Operating temperature limitations are as follows:		
<b>Conductive Acetal:</b> Tough, impact resistant, ductile. Good abrasion resistance and low friction surface. Generally inert, with good chemical resistance except for strong acids and oxidizing agents.	190°F 88°C	-20°F -29°C
<b>EPDM:</b> Shows very good water and chemical resistance. Has poor resistance to oils and solvents, but is fair in ketones and alcohols.	280°F 138°C	-40°F -40°C
<b>FKM:</b> (Fluorocarbon) Shows good resistance to a wide range of oils and solvents; especially all aliphatic, aromatic and halogenated hydrocarbons, acids, animal and vegetable oils. Hot water or hot aqueous solutions (over 70°F) will attack FKM.	350°F 177°C	-40°F -40°C
<b>Hytre!</b> : Good on acids, bases, amines and glycols at room temperatures only.	220°F 104°C	-20°F -29°C
<b>Neoprene:</b> All purpose. Resistance to vegetable oils. Generally not affected by moderate chemicals, fats, greases and many oils and solvents. Generally attacked by strong oxidizing acids, ketones, esters and nitro hydrocarbons and chlorinated aromatic hydrocarbons.	200°F 93°C	-10°F -23°C
<b>Nitrile:</b> General purpose, oil-resistant. Shows good solvent, oil, water and hydraulic fluid resistance. Should not be used with highly polar solvents like acetone and MEK, ozone, chlorinated hydrocarbons and nitro hydrocarbons.	190°F 88°C	-10°F -23°C
<b>Nylon:</b> 6/6 High strength and toughness over a wide temperature range. Moderate to good resistance to fuels, oils and chemicals.	180°F 82°C	32°F 0°C

<b>Polypropylene:</b> A thermoplastic polymer. Moderate tensile and flex strength. Resists strong acids and alkali. Attacked by chlorine, fuming nitric acid and other strong oxidizing agents.	180°F 82°C	32°F 0°C
<b>PVDF:</b> (Polyvinylidene Fluoride) A durable fluoroplastic with excellent chemical resistance. Excellent for UV applications. High tensile strength and impact resistance.	250°F 121°C	0°F -18°C
<b>Sanotprene®:</b> Injection molded thermoplastic elastomer with no fabric layer. Long mechanical flex life. Excellent abrasion resistance.	275°F 135°C	-40°F -40°C
<b>UHMW PE:</b> A thermoplastic that is highly resistant to a broad range of chemicals. Exhibits outstanding abrasion and impact resistance, along with environmental stress-cracking resistance.	180°F 82°C	-35°F -37°C
<b>Urethane:</b> Shows good resistance to abrasives. Has poor resistance to most solvents and oils.	150°F 66°C	32°F 0°C
<b>Virgin PTFE:</b> (PFA/TFE) Chemically inert, virtually impervious. Very few chemicals are known to chemically react with PTFE; molten alkali metals, turbulent liquid or gaseous fluorine and a few fluoro-chemicals such as chlorine trifluoride or oxygen difluoride which readily liberate free fluorine at elevated temperatures.	220°F 104°C	-35°F -37°C
<i>Maximum and Minimum Temperatures are the limits for which these materials can be operated. Temperatures coupled with pressure affect the longevity of diaphragm pump components. Maximum life should not be expected at the extreme limits of the temperature ranges.</i>		
<b>Metals:</b>		
<b>Alloy C:</b> Equal to ASTM494 CW-12M-1 specification for nickel and nickel alloy.		
<b>Stainless Steel:</b> Equal to or exceeding ASTM specification A743 CF-8M for corrosion resistant iron chromium, iron chromium nickel and nickel based alloy castings for general applications. Commonly referred to as 316 Stainless Steel in the pump industry.		

For specific applications, always consult the Chemical Resistance Chart.

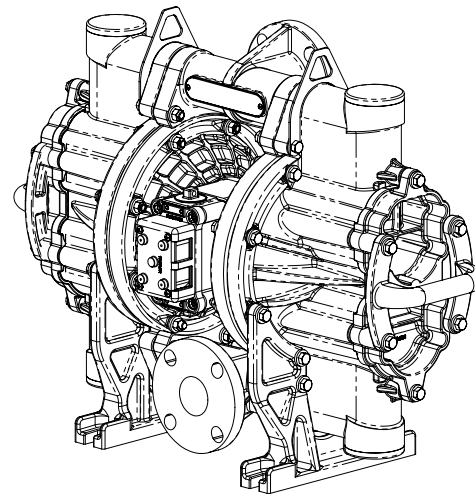
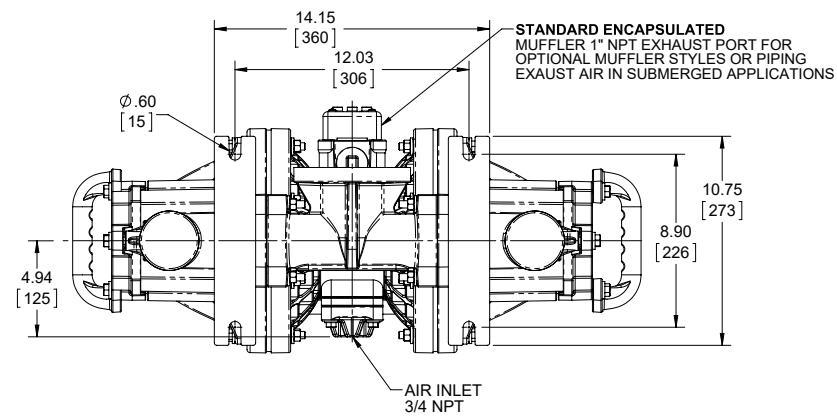
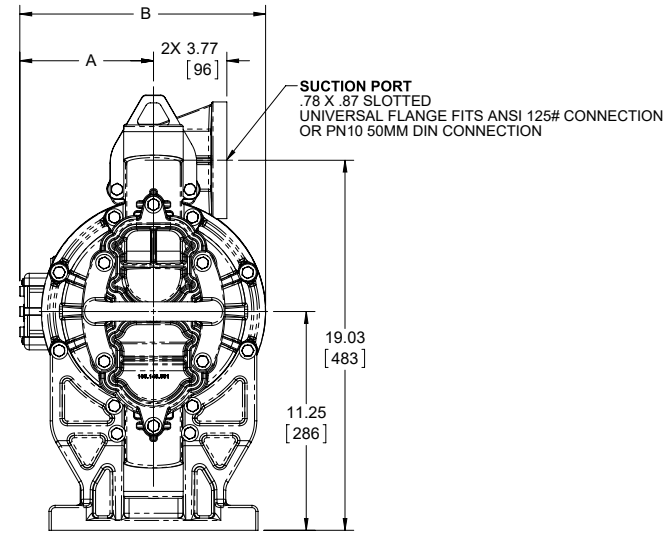
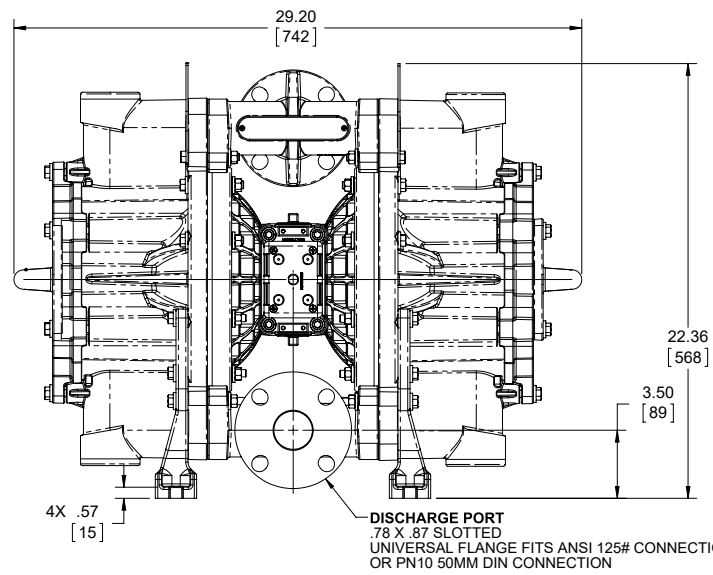
**Note:** This document is a high level guide. Please be aware that not all model and or material combinations are possible for all sizes. Please consult factory or your distributor for specific details.

# Dimensional Drawings

## E2 Plastic Bolted Flap - Flanged Manifold

Dimensions in inches (metric dimensions in brackets)

The dimensions on this drawing are for reference only. A certified drawing can be requested if physical dimensions are needed.



**E2PPxxxx9A-F**

DIMENSIONAL TOLERANCE ± .13 [3]

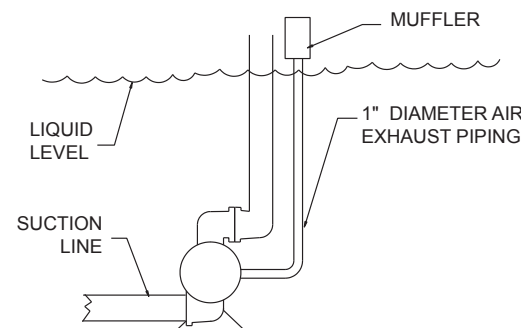
MUFFLER OPTION	DIM "A"	DIM "B"
INTEGRAL MUFFLER	6.88 [175]	12.65 [321]

### IMPORTANT



When the pumped product source is at a higher level than the pump (flooded suction condition), pipe the exhaust higher than the product source to prevent siphoning spills. In the event of a diaphragm failure a complete rebuild of the center section is recommended.

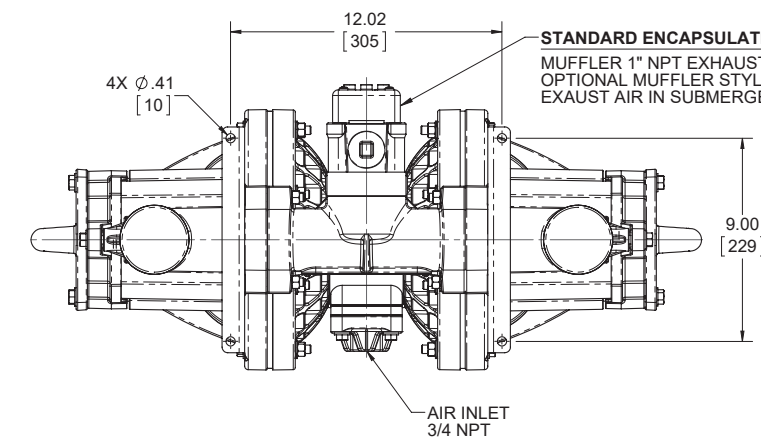
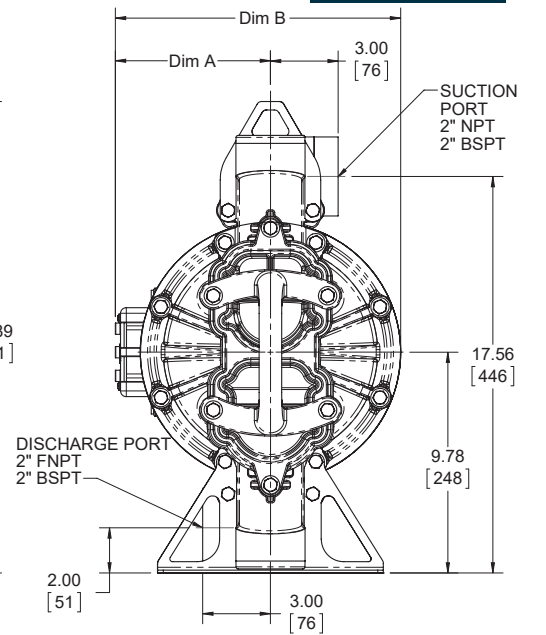
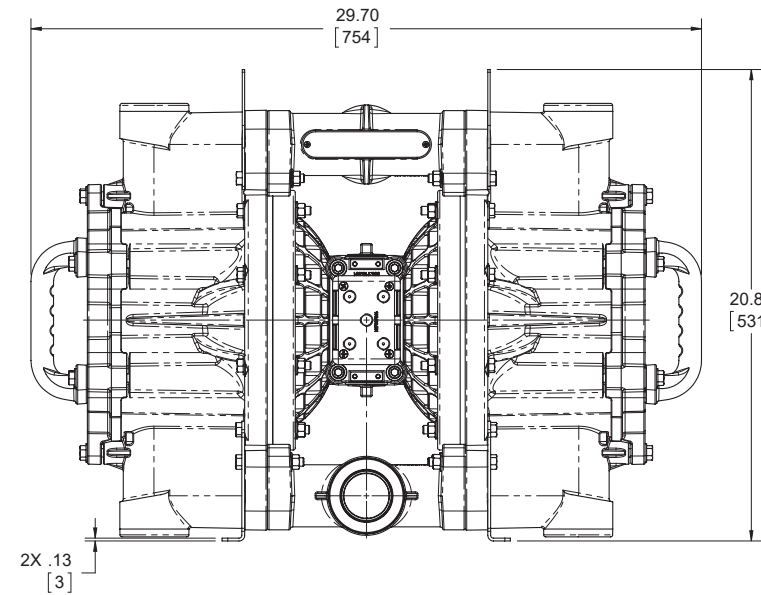
### SUBMERGED ILLUSTRATION



# Dimensional Drawings

## E2 Plastic Bolted Flap Non-Metallic

Dimensions in Inches [ ] in Millimeters. Dimensional tolerance: +/- 1/8" [ ] +/- 3mm

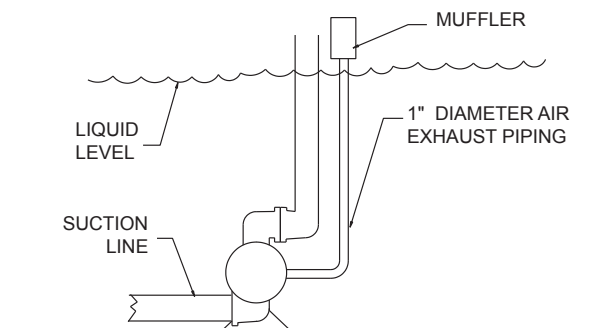


DIMENSIONAL TOLERANCE ± .13 [3]

MUFFLER OPTION	DIM "A"	DIM "B"
INTEGRAL MUFFLER	6.88 [175]	12.65 [321]

**E2PPxxxx9A-B or -N**

### SUBMERGED ILLUSTRATION



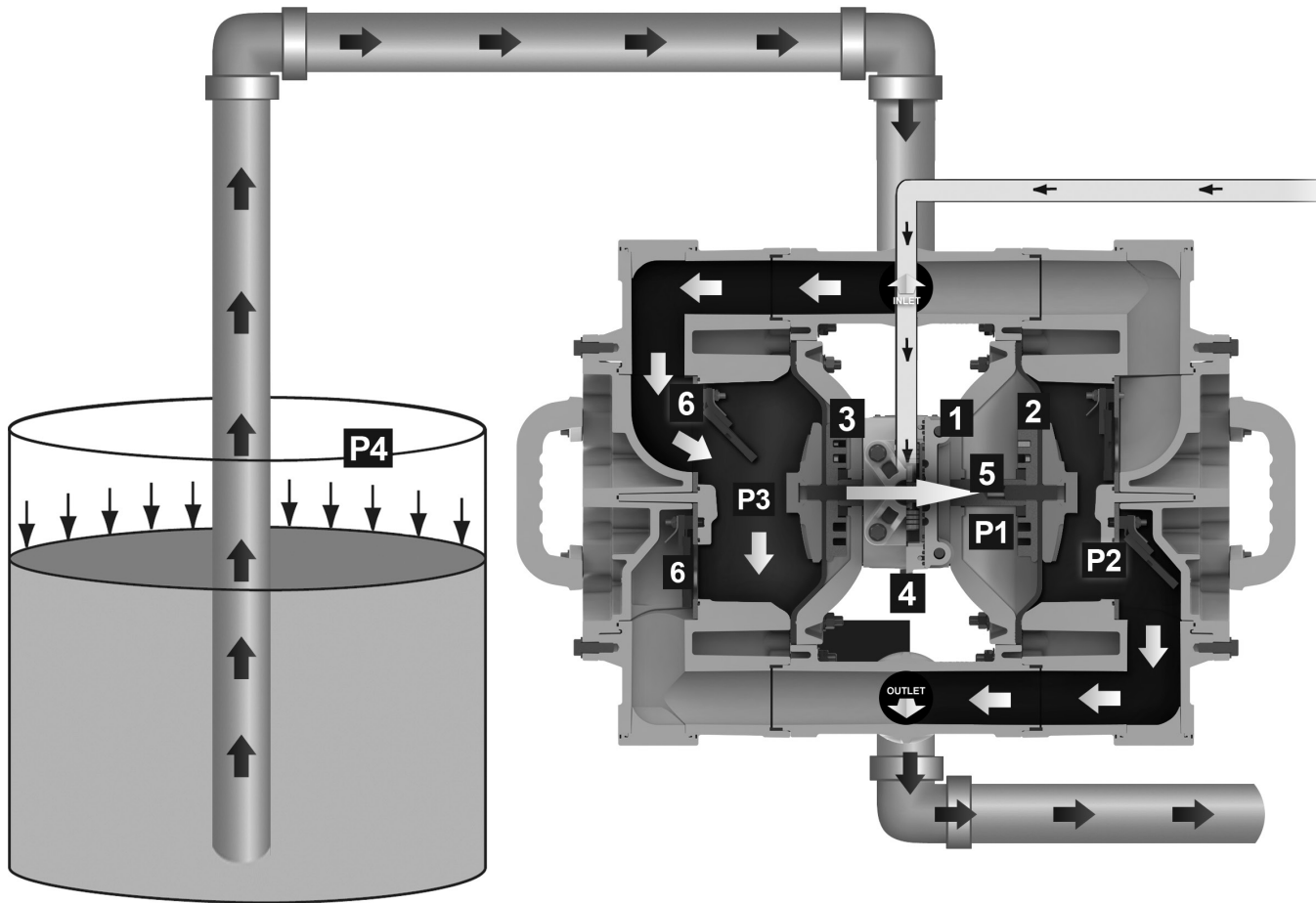
### IMPORTANT



When the pumped product source is at a higher level than the pump (flooded suction condition), pipe the exhaust higher than the product source to prevent siphoning spills. In the event of a diaphragm failure a complete rebuild of the center section is recommended.



# Principle of Pump Operation



2: INSTAL & OP

Air-Operated Double Diaphragm (AODD) pumps are powered by compressed air or nitrogen.

The main directional (air) control valve ① distributes compressed air to an air chamber, exerting uniform pressure over the inner surface of the diaphragm ②. At the same time, the exhausting air ③ from behind the opposite diaphragm is directed through the air valve assembly(s) to an exhaust port ④.

As inner chamber pressure (P1) exceeds liquid chamber pressure (P2), the rod ⑤ connected diaphragms shift together creating discharge on one side and suction on the opposite side. The discharged and primed liquid's directions are controlled by the check valves (ball or flap) ⑥ orientation.

The pump primes as a result of the suction stroke. The suction stroke lowers the chamber pressure (P3) increasing the chamber volume. This results in a pressure differential necessary for atmospheric pressure (P4) to push the fluid through the suction piping and across the suction side check valve and into the outer fluid chamber ⑦.

Suction (side) stroking also initiates the reciprocating (shifting, stroking or cycling) action of the pump. The suction diaphragm's movement is mechanically pulled through its stroke. The diaphragm's inner plate makes contact with an actuator plunger aligned to shift the pilot signaling valve. Once actuated, the pilot valve sends a pressure signal to the opposite end of the main directional air valve, redirecting the compressed air to the opposite inner chamber.

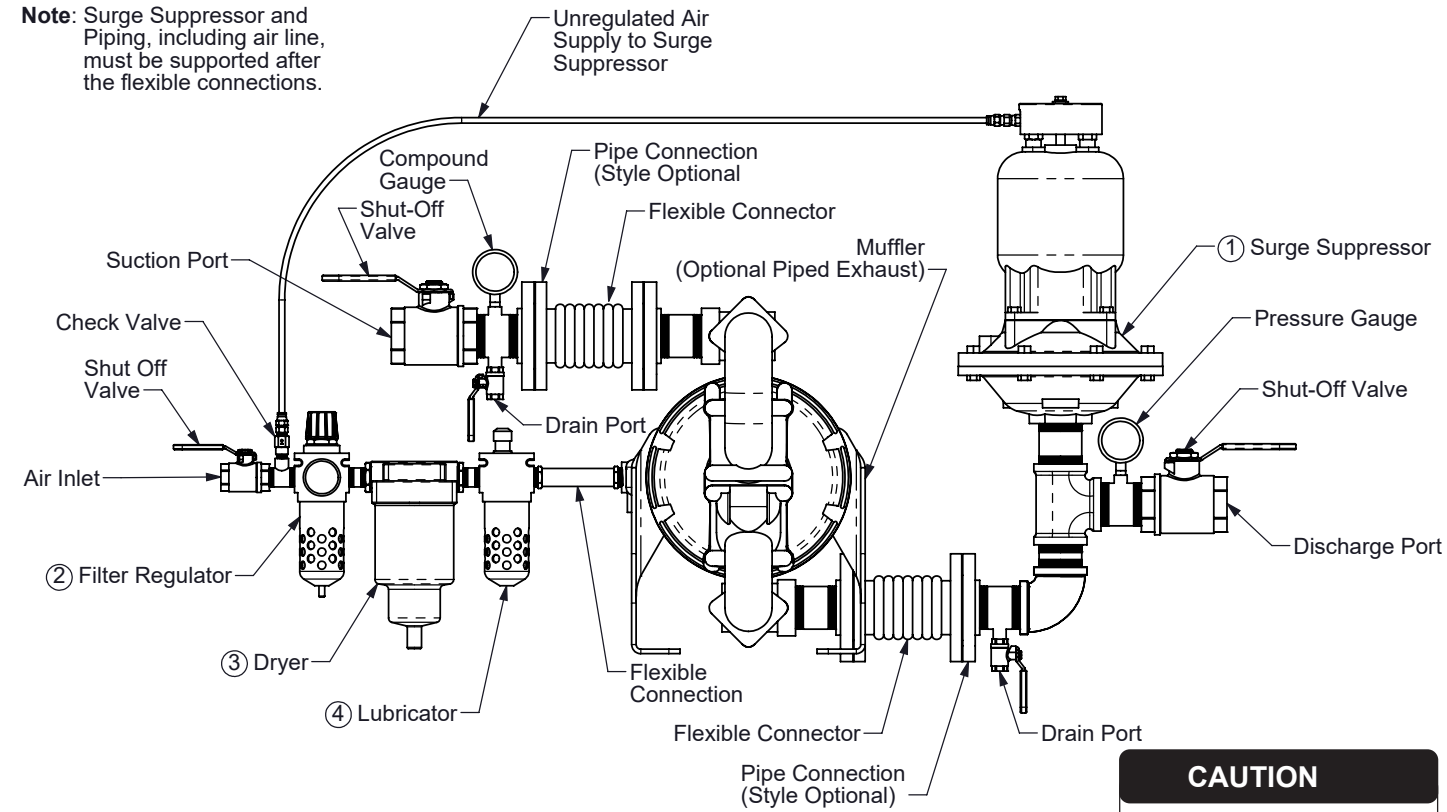
# Recommended Installation Guide



## Available Accessories:

1. Surge Suppressor
2. Filter/Regulator
3. Air Dryer
4. Lubricator

**Note:** Surge Suppressor and Piping, including air line, must be supported after the flexible connections.



**CAUTION**  
The air exhaust should be piped to an area for safe disposition of the product being pumped, in the event of a diaphragm failure.

### Installation And Start-Up

Locate the pump as close to the product being pumped as possible. Keep the suction line length and number of fittings to a minimum. Do not reduce the suction line diameter.

### Air Supply

Connect the pump air inlet to an air supply with sufficient capacity and pressure to achieve desired performance. A pressure regulating valve should be installed to insure air supply pressure does not exceed recommended limits.

### Air Valve Lubrication

The air distribution system is designed to operate WITHOUT lubrication. This is the standard mode of operation. If lubrication is desired, install an air line lubricator set to deliver one drop of SAE 10 non-detergent oil for every 20 SCFM (9.4 liters/sec.) of air the pump consumes. Consult the Performance Curve to determine air consumption.

### Air Line Moisture

Water in the compressed air supply may cause icing or freezing of the exhaust air, causing the pump to cycle erratically or stop operating. Water in the air supply can be reduced by using a point-of-use air dryer.

### Air Inlet And Priming

To start the pump, slightly open the air shut-off valve. After the pump primes, the air valve can be opened to increase air flow as desired. If opening the valve increases cycling rate, but does not increase the rate of flow, cavitation has occurred. The valve should be closed slightly to obtain the most efficient air flow to pump flow ratio.

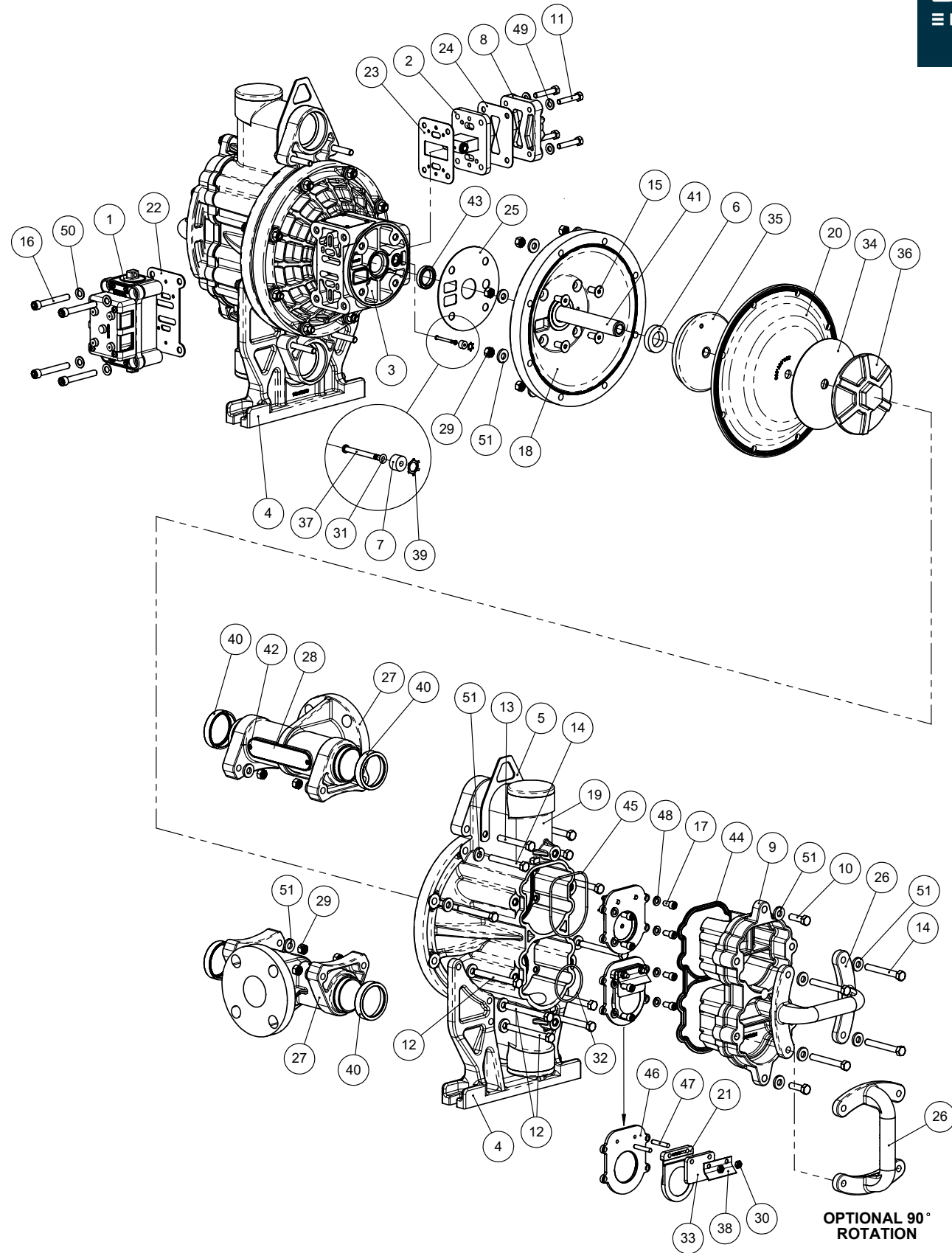
# Troubleshooting Guide

Symptom:	Potential Cause(s):	Recommendation(s):
Pump Cycles Once	Deadhead (system pressure meets or exceeds air supply pressure).	Increase the inlet air pressure to the pump. Pump is designed for 1:1 pressure ratio at zero flow. (Does not apply to high pressure 2:1 units).
	Air valve or intermediate gaskets installed incorrectly.	Install gaskets with holes properly aligned.
	Bent or missing actuator plunger.	Remove pilot valve and inspect actuator plungers.
Pump Will Not Operate / Cycle	Pump is over lubricated.	Set lubricator on lowest possible setting or remove. Units are designed for lube free operation.
	Lack of air (line size, PSI, CFM).	Check the air line size and length, compressor capacity (HP vs. cfm required).
	Check air distribution system.	Disassemble and inspect main air distribution valve, pilot valve and pilot valve actuators.
	Discharge line is blocked or clogged manifolds.	Check for inadvertently closed discharge line valves. Clean discharge manifolds/piping.
	Deadhead (system pressure meets or exceeds air supply pressure).	Increase the inlet air pressure to the pump. Pump is designed for 1:1 pressure ratio at zero flow. (Does not apply to high pressure 2:1 units).
	Blocked air exhaust muffler.	Remove muffler screen, clean or de-ice, and re-install.
	Pumped fluid in air exhaust muffler.	Disassemble pump chambers. Inspect for diaphragm rupture or loose diaphragm plate assembly.
Pump Cycles and Will Not Prime or No Flow	Pump chamber is blocked.	Disassemble and inspect wetted chambers. Remove or flush any obstructions.
	Cavitation on suction side.	Check suction condition (move pump closer to product).
	Check valve obstructed. Valve ball(s) not seating properly or sticking.	Disassemble the wet end of the pump and manually dislodge obstruction in the check valve pocket. Clean out around valve ball cage and valve seat area. Replace valve ball or valve seat if damaged. Use heavier valve ball material.
	Valve ball(s) missing (pushed into chamber or manifold).	Worn valve ball or valve seat. Worn fingers in valve ball cage (replace part). Check Chemical Resistance Guide for compatibility.
	Valve ball(s)/seat(s) damaged or attacked by product.	Check Chemical Resistance Guide for compatibility.
	Check valve and/or seat is worn or needs adjusting.	Inspect check valves and seats for wear and proper setting. Replace if necessary.
	Suction line is blocked.	Remove or flush obstruction. Check and clear all suction screens or strainers.
	Excessive suction lift.	For lifts exceeding 20' of liquid, filling the chambers with liquid will prime the pump in most cases.
	Suction side air leakage or air in product.	Visually inspect all suction-side gaskets and pipe connections.
	Pumped fluid in air exhaust muffler.	Disassemble pump chambers. Inspect for diaphragm rupture or loose diaphragm plate assembly.
Pump Cycles Running Sluggish/Stalling, Flow Unsatisfactory	Over lubrication.	Set lubricator on lowest possible setting or remove. Units are designed for lube free operation.
	Icing.	Remove muffler screen, de-ice, and re-install. Install a point of use air drier.
	Clogged manifolds.	Clean manifolds to allow proper air flow
	Deadhead (system pressure meets or exceeds air supply pressure).	Increase the inlet air pressure to the pump. Pump is designed for 1:1 pressure ratio at zero flow. (Does not apply to high pressure 2:1 units).
	Cavitation on suction side.	Check suction (move pump closer to product).
	Lack of air (line size, PSI, CFM).	Check the air line size, length, compressor capacity.
	Excessive suction lift.	For lifts exceeding 20' of liquid, filling the chambers with liquid will prime the pump in most cases.
	Air supply pressure or volume exceeds system hd.	Decrease inlet air (press. and vol.) to the pump. Pump is cavitating the fluid by fast cycling.
	Undersized suction line.	Meet or exceed pump connections.
	Restrictive or undersized air line.	Install a larger air line and connection.
	Suction side air leakage or air in product.	Visually inspect all suction-side gaskets and pipe connections.
	Suction line is blocked.	Remove or flush obstruction. Check and clear all suction screens or strainers.
	Pumped fluid in air exhaust muffler.	Disassemble pump chambers. Inspect for diaphragm rupture or loose diaphragm plate assembly.
	Check valve obstructed.	Disassemble the wet end of the pump and manually dislodge obstruction in the check valve pocket.
Product Leaking Through Exhaust	Diaphragm failure, or diaphragm plates loose.	Replace diaphragms, check for damage and ensure diaphragm plates are tight.
	Diaphragm stretched around center hole or bolt holes.	Check for excessive inlet pressure or air pressure. Consult Chemical Resistance Chart for compatibility with products, cleaners, temperature limitations and lubrication.
Premature Diaphragm Failure	Cavitation.	Enlarge pipe diameter on suction side of pump.
	Excessive flooded suction pressure.	Move pump closer to product. Raise pump/place pump on top of tank to reduce inlet pressure. Install Back pressure device (Tech bulletin 41r). Add accumulation tank or pulsation dampener.
	Misapplication (chemical/physical incompatibility).	Consult Chemical Resistance Chart for compatibility with products, cleaners, temperature limitations and lubrication.
	Incorrect diaphragm plates or plates on backwards, installed incorrectly or worn.	Check Operating Manual to check for correct part and installation. Ensure outer plates have not been worn to a sharp edge.
Unbalanced Cycling	Excessive suction lift.	For lifts exceeding 20' of liquid, filling the chambers with liquid will prime the pump in most cases.
	Undersized suction line.	Meet or exceed pump connections.
	Pumped fluid in air exhaust muffler.	Disassemble pump chambers. Inspect for diaphragm rupture or loose diaphragm plate assembly.
	Suction side air leakage or air in product.	Visually inspect all suction-side gaskets and pipe connections.
	Check valve obstructed.	Disassemble the wet end of the pump and manually dislodge obstruction in the check valve pocket.
	Check valve and/or seat is worn or needs adjusting.	Inspect check valves and seats for wear and proper setting. Replace if necessary.
Unbalanced Cycling	Entrained air or vapor lock in chamber(s).	Purge chambers through tapped chamber vent plugs.

For additional troubleshooting tips contact After Sales Support at [service.warrenrupp@idexcorp.com](mailto:service.warrenrupp@idexcorp.com) or 419-524-8388

# Composite Repair Parts Drawing

**BEDU**  
POMPEN



# Composite Repair Parts List Flanged Manifold

Item	Part Number	Description	Qty	Item	Part Number	Description	Qty
①	**031.140.000	Air Valve Assembly (Integral Muffler)	1	41	685.059.120	Rod, Diaphragm	1
	031.141.000	Air Valve Assembly (No Muffler)	1	42	710.021.115	Screw, Pan Head	4
②	095.110.558	Pilot Valve Assembly	1	④③	720.004.360	Seal, U-cup	2
3	114.024.551	Intermediate Assembly	1	④④	720.076.360	Seal, Clean Out Cap, Buna-N	2
4	115.179.552	Bracket, Foot	2		720.076.363	Seal, Clean Out Cap, Fluorocarbon FKM	2
5	115.177.115	Bracket, Hanging	2		720.076.364	Seal, Clean Out Cap, EPDM	2
⑥	132.035.360	Bumper	2		720.076.365	Seal, Clean Out Cap, Neoprene	2
⑦	135.034.506	Bushing, Plunger	2	④⑤	720.077.360	Seal, Seat, Buna-N	2
8	165.118.551	Cap, Air Inlet	1		720.077.363	Seal, Seat, Fluorocarbon FKM	2
9	165.148.551	Cap, Clean Out	2		720.077.364	Seal, Seat, EPDM	2
10	170.018.115	Capscrew, Hex-Hd, 3/8-16 x 1 1/4	4		720.077.365	Seal, Seat, Neoprene	2
11	170.069.115	Capscrew, Hex-Hd, 5/16-18 x 1 3/4	4	46	722.129.110	Seat, Check Valve (includes studs)	4
12	170.083.115	Capscrew, Hex-Hd, 3/8-16 x 3 3/4	12	47	807.018.110	Stud	8
13	170.129.115	Capscrew, Hex-Hd, 3/8-16 x 2 3/4	4	48	900.004.110	Washer, Lock 5/16	16
14	170.130.115	Capscrew, Hex-Hd, 3/8-16 x 3	16	49	901.038.115	Washer, Flat 5/16	4
15	171.015.115	Capscrew, Flat-Hd, 3/8-16 x 7/8	8	50	901.048.115	Washer, Flat 3/8	4
16	171.053.115	Capscrew, Socket-Hd, 3/8-16 x 2 1/2	4	51	901.052.115	Washer, Flat 3/8	56
17	171.102.110B	CAPSCREW, Socket Hd, 3/8-16 x .63	16				
18	196.217.551	Chamber, Inner	2				
19	196.218.552	Chamber, Outer	2				
⑳	286.007.360	Diaphragm, Buna-N	2				
	286.007.363	Diaphragm, Fluorocarbon FKM	2				
	286.007.364	Diaphragm, EPDM	2				
	286.007.365	Diaphragm, Neoprene	2				
	286.007.354	Diaphragm, Santoprene	2				
	286.007.356	Diaphragm, Hytrel	2				
㉑	338.005.360	Flap Valve, Buna-N	4				
	338.005.363	Flap Valve, Fluorocarbon FKM	4				
	338.005.364	Flap Valve, EPDM	4				
	338.005.365	Flap Valve, Neoprene	4				
	338.010.356	Flap Valve, Hytrel	4				
	338.010.357	Flap Valve, Urethane	4				
㉒	360.093.360	Gasket, Main Air Valve	1				
㉓	360.103.360	Gasket, Pilot Valve	1				
㉔	360.104.360	Gasket, Air Inlet Cap	1				
㉕	360.105.360	Gasket, Inner Chamber	2				
26	405.013.551	Handle	2				
27	518.225.552	Manifold	2				
28	535.099.000	Plate, Name	2				
29	545.005.115	Nut, Hex	24				
30	547.002.110	Nut, Stop	8				
⑳①	560.001.360	O-ring	2				
㉒	560.213.360	O-ring, Buna-N	2				
	560.213.363	O-ring, Fluorocarbon FKM	2				
	560.213.364	O-ring, EPDM	2				
	560.213.365	O-ring, Neoprene	2				
㉓	570.001.360	Hinge Pad, Buna-N	4				
	570.001.363	Hinge Pad, Fluorocarbon FKM	4				
	570.001.364	Hinge Pad, EPDM	4				
	570.001.365	Hinge Pad, Neoprene	4				
㉔	570.009.360	Pad, Wear, Buna-N	2				
	570.009.363	Pad, Wear, Fluorocarbon FKM	2				
	570.009.364	Pad, Wear, EPDM	2				
	570.009.365	Pad, Wear, Neoprene	2				
35	612.195.157	Plate, Inner Diaphragm	2				
36	612.225.552	Plate, Outer Diaphragm (with stud)	2				
㉕	620.007.114	Pin, Plunger	2				
38	670.005.110	Retainer, Flap Valve	4				
㉖	675.042.115	Ring, Retaining	2				
㉗	675.073.360	Ring Sealing, Buna-N	4				
	675.073.363	Ring Sealing, Fluorocarbon FKM	4				
	675.073.364	Ring Sealing, EPDM	4				
	675.073.365	Ring Sealing, Neoprene	4				

**LEGEND:**

- = Items contained within Air End Kits
- = Items contained within Wet End Kits

**Note:** Kits contain components specific to the material codes.  
 \*\*Air End Kit does not include entire air valves assembly. It includes replacement sleeve and spool set, plus o-rings.

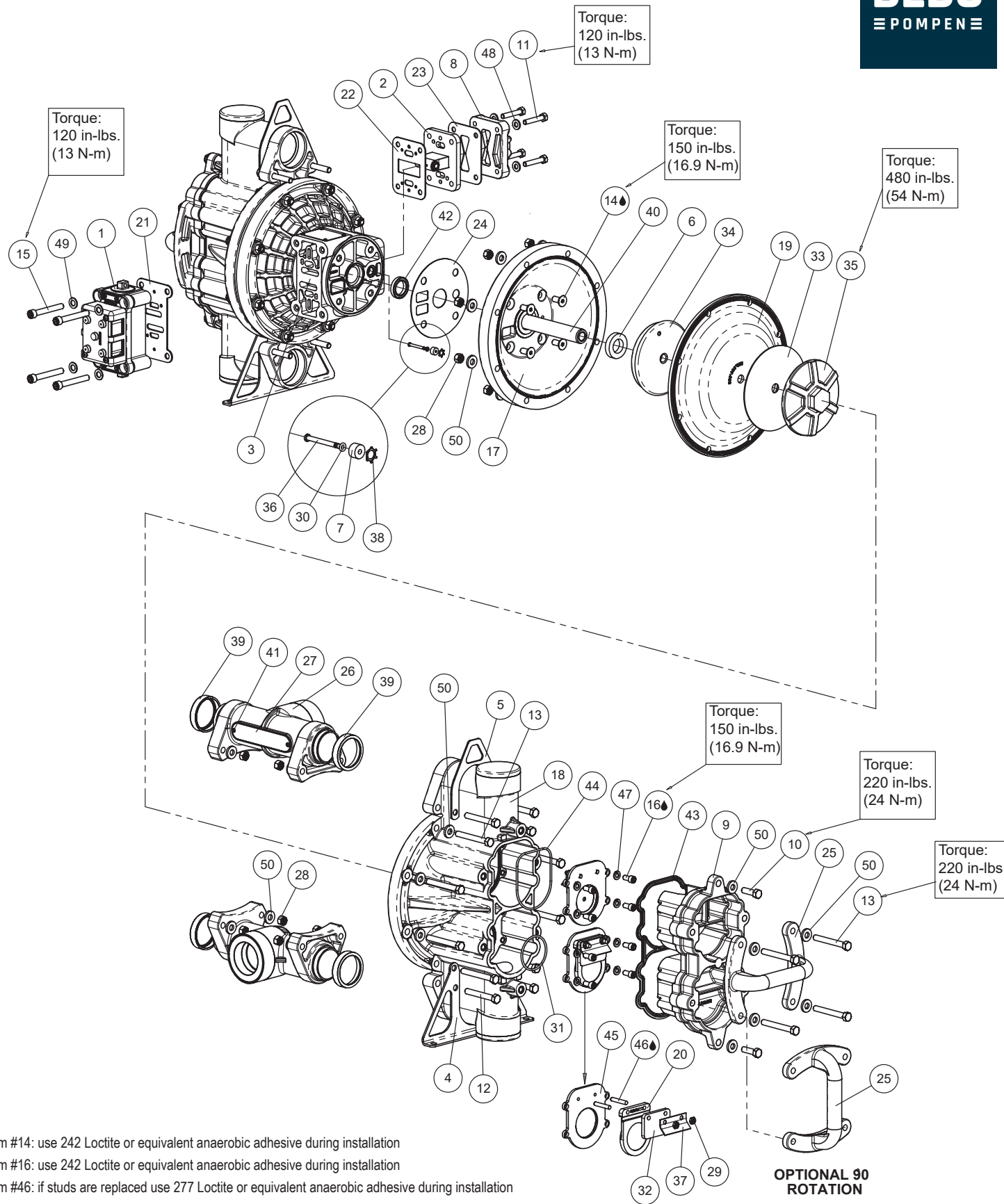
3: EXP VIEW

3: EXP VIEW



# Composite Repair Parts Drawing

**BEDU**  
POMPEN



Item #14: use 242 Loctite or equivalent anaerobic adhesive during installation  
 Item #16: use 242 Loctite or equivalent anaerobic adhesive during installation  
 Item #46: if studs are replaced use 277 Loctite or equivalent anaerobic adhesive during installation

# Composite Repair Parts List

Item	Part Number	Description	Qty	Item	Part Number	Description	Qty
①	**031.140.000	Air Valve Assembly (Integral Muffler)	1	40	685.059.120	Rod, Diaphragm	1
	031.141.000	Air Valve Assembly (No Muffler)	1	④①	710.021.115	Screw, Pan Head	4
②	095.110.558	Pilot Valve Assembly	1	④②	720.004.360	Seal, U-cup	2
3	114.024.551	Intermediate Assembly	1	④③	720.076.360	Seal, Clean Out Cap, Buna-N	2
4	115.174.115	Bracket, Foot	2		720.076.363	Seal, Clean Out Cap, Fluorocarbon FKM	2
5	115.177.115	Bracket, Hanging	2		720.076.364	Seal, Clean Out Cap, EPDM	2
⑥	132.035.357	Bumper	2		720.076.365	Seal, Clean Out Cap, Neoprene	2
⑦	135.034.506	Bushing, Plunger	2	④④	720.077.360	Seal, Seat, Buna-N	2
8	165.118.551	Cap, Air Inlet	1		720.077.363	Seal, Seat, Fluorocarbon FKM	2
9	165.148.551	Cap, Clean Out	2		720.077.364	Seal, Seat, EPDM	2
10	170.018.115	Capscrew, Hex-Hd, 3/8-16 x 1 1/4	4		720.077.365	Seal, Seat, Neoprene	2
11	170.069.115	Capscrew, Hex-Hd, 5/16-18 x 1 3/4	4	45	722.129.110	Seat, Check Valve (includes studs)	4
12	170.129.115	Capscrew, Hex-Hd, 3/8-16 x 2 3/4	8	46	807.018.110	Stud	8
13	170.130.115	Capscrew, Hex-Hd, 3/8-16 x 3	24	47	900.004.110	Washer, Lock 5/16	16
14	171.015.115	Capscrew, Flat-Hd, 3/8-16 x 7/8	8	48	901.038.115	Washer, Flat 5/16	4
15	171.053.115	Capscrew, Socket-Hd, 3/8-16 x 2 1/2	4	49	901.048.115	Washer, Flat 3/8	4
16	171.102.110	CAPSCREW, Socket Hd, 5/16 -18 x .63	16	50	901.052.115	Washer, Flat 3/8	48
17	196.217.551	Chamber, Inner	2				
18	196.218.552	Chamber, Outer	2				
①⑨	286.007.360	Diaphragm, Buna-N	2				
	286.007.363	Diaphragm, Fluorocarbon FKM	2				
	286.007.364	Diaphragm, EPDM	2				
	286.007.365	Diaphragm, Neoprene	2				
	286.007.354	Diaphragm, Santoprene	2				
	286.007.356	Diaphragm, Hytrel	2				
②⑩	338.005.360	Flap Valve, Buna-N	4				
	338.005.363	Flap Valve, Fluorocarbon FKM	4				
	338.005.364	Flap Valve, EPDM	4				
	338.005.365	Flap Valve, Neoprene	4				
	338.010.356	Flap Valve, Hytrel	4				
	338.010.357	Flap Valve, Urethane	4				
②①	360.093.360	Gasket, Main Air Valve	1				
②②	360.103.360	Gasket, Pilot Valve	1				
②③	360.104.360	Gasket, Air Inlet Cap	1				
②④	360.105.360	Gasket, Inner Chamber	2				
25	405.013.551	Handle	2				
26	518.222.552	Manifold	2				
	518.222.552 E	Manifold	2				
27	535.099.000	Plate, Name	2				
28	545.005.115	Nut, Hex	24				
29	547.002.110	Nut, Stop	8				
③⑩	560.001.360	O-ring	2				
③①	560.213.360	O-ring, Buna-N	2				
	560.213.363	O-ring, Fluorocarbon FKM	2				
	560.213.364	O-ring, EPDM	2				
	560.213.365	O-ring, Neoprene	2				
③②	570.001.360	Hinge Pad, Buna-N	4				
	570.001.363	Hinge Pad, Fluorocarbon FKM	4				
	570.001.364	Hinge Pad, EPDM	4				
	570.001.365	Hinge Pad, Neoprene	4				
③③	570.009.360	Pad, Wear, Buna-N	2				
	570.009.363	Pad, Wear, Fluorocarbon FKM	2				
	570.009.364	Pad, Wear, EPDM	2				
	570.009.365	Pad, Wear, Neoprene	2				
34	612.195.157	Plate, Inner Diaphragm	2				
35	612.225.552	Plate, Outer Diaphragm (with stud)	2				
③⑥	620.007.114	Pin, Plunger	2				
37	670.005.110	Retainer, Flap Valve	4				
③⑧	675.042.115	Ring, Retaining	2				
③⑨	675.073.360	Ring Sealing, Buna-N	4				
	675.073.363	Ring Sealing, Fluorocarbon FKM	4				
	675.073.364	Ring Sealing, EPDM	4				
	675.073.365	Ring Sealing, Neoprene	4				

**LEGEND:**

- = Items contained within Air End Kits
- = Items contained within Wet End Kits

**Note:** Kits contain components specific to the material codes.  
 \*\*Air End Kit does not include entire air valves assembly. It includes replacement sleeve and spool set, plus o-rings.

3: EXP VIEW

3: EXP VIEW

# Service & Repair Kits



- 476.V353.000**     **Air End Kit**  
Seals, O-rings, Gaskets, Retainer Rings, Aluminum Sleeve and spool set, pilot valve assembly
- 476.V354.360**     **Wetted End Kit**  
**For Model E2PP2R2S9A-F-XXX**  
Buna-N Diaphragms, Flap Valves, Hinge Pads, Seals, Wear Pads and Sealing Rings
- 476.354.363**     **Wetted End Kit**  
**For Model E2PP3R3S9A-F-XXX**  
FKM (Viton) Diaphragms, Flap Valves, Hinge Pads, Seals, Wear Pads and Sealing Rings
- 476.V354.364**     **Wetted End Kit**  
**For Model E2PP4R4S9A-F-XXX**  
EPDM Diaphragms, Flap Valves, Hinge Pads, Seals, Wear Pads and Sealing Rings
- 476.V354.365**     **Wetted End Kit**  
**For Model E2PP1R1S9A-F-XXX**  
Neoprene Diaphragms, Flap Valves, Hinge Pads, Seals, Wear Pads and Sealing Rings
- 476.V354.356**     **Wetted End Kit**  
**For Model E2PP7X7S9A-F-XXX**  
Hytrel Diaphragms, Flap Valves, Neoprene Hinge Pads, Seals, Wear Pads and Sealing Rings
- 476.V354.677**     **Wetted End Kit**  
**For Model E2PP6X4S9A-F-XXX**  
Santoprene Diaphragms, EPDM Flap Valves, Hinge Pads, Seals, Wear Pads and Seals

3: EXP VIEW

## Material Codes - The Last 3 Digits of Part Number

000.....Assembly, sub-assembly; and some purchased items	364.....EPDM Rubber Color coded: BLUE
010.....Cast Iron	365.....Neoprene Rubber Color coded: GREEN
015.....Ductile Iron	366.....Food Grade Nitrile
020.....Ferritic Malleable Iron	368.....Food Grade EPDM
080.....Carbon Steel, AISI B-1112	371.....Philthane (Tuftane)
110.....Alloy Type 316 Stainless Steel	374.....Carboxylated Nitrile
111.....Alloy Type 316 Stainless Steel (Electro Polished)	375.....Fluorinated Nitrile
112.....Alloy C	378.....High Density Polypropylene
113.....Alloy Type 316 Stainless Steel (Hand Polished)	379.....Conductive Nitrile
114.....303 Stainless Steel	408.....Cork and Neoprene
115.....302/304 Stainless Steel	425.....Compressed Fibre
117.....440-C Stainless Steel (Martensitic)	426.....Blue Gard
120.....416 Stainless Steel (Wrought Martensitic)	440.....Vegetable Fibre
148.....Hardcoat Anodized Aluminum	500.....Delrin® 500
150.....6061-T6 Aluminum	502.....Conductive Acetal, ESD-800
152.....2024-T4 Aluminum (2023-T351)	503.....Conductive Acetal, Glass-Filled
155.....356-T6 Aluminum	506.....Delrin® 150
156.....356-T6 Aluminum	520.....Injection Molded PVDF Natural color
157.....Die Cast Aluminum Alloy #380	540.....Nylon
158.....Aluminum Alloy SR-319	542.....Nylon
162.....Brass, Yellow, Screw Machine Stock	544.....Nylon Injection Molded
165.....Cast Bronze, 85-5-5-5	550.....Polyethylene
166.....Bronze, SAE 660	551.....Glass Filled Polypropylene
170.....Bronze, Bearing Type, Oil Impregnated	552.....Unfilled Polypropylene
180.....Copper Alloy	555.....Polyvinyl Chloride
305.....Carbon Steel, Black Epoxy Coated	556.....Black Vinyl
306.....Carbon Steel, Black PTFE Coated	557.....Unfilled Conductive Polypropylene
307.....Aluminum, Black Epoxy Coated	558.....Conductive HDPE
308.....Stainless Steel, Black PTFE Coated	559.....Glass Filled - Conductive Polypropylene
309.....Aluminum, Black PTFE Coated	570.....Rulon II®
313.....Aluminum, White Epoxy Coated	580.....Ryton®
330.....Zinc Plated Steel	600.....PTFE (virgin material) Tetrafluorocarbon (TFE)
332.....Aluminum, Electroless Nickel Plated	603.....Blue Gylon®
333.....Carbon Steel, Electroless Nickel Plated	604.....PTFE
335.....Galvanized Steel	606.....PTFE
337.....Silver Plated Steel	607.....Envelon
351.....Food Grade Santoprene®	608.....Conductive PTFE
353.....Geolast; Color: Black	610.....PTFE Encapsulated Silicon
354.....Injection Molded #203-40 Santoprene® Duro 40D +/-5; Color: RED	611.....PTFE Encapsulated FKM
356.....Hytrel®	632.....Neoprene/Hytrel®
357.....Injection Molded Polyurethane	633.....FKM/PTFE
358.....Urethane Rubber (Some Applications) (Compression Mold)	634.....EPDM/PTFE
359.....Urethane Rubber	635.....Neoprene/PTFE
360.....Nitrile Rubber Color coded: RED	637.....PTFE, FKM/PTFE
363.....FKM (Fluorocarbon) Color coded: YELLOW	638.....PTFE, Hytrel®/PTFE
	639.....Nitrile/TFE
	643.....Santoprene®/EPDM
	644.....Santoprene®/PTFE
	656.....Santoprene® Diaphragm and Check Balls/EPDM Seats
	661.....EPDM/Santoprene®
	666.....FDA Nitrile Diaphragm, PTFE Overlay, Balls, and Seals
	668.....PTFE, FDA Santoprene®/PTFE

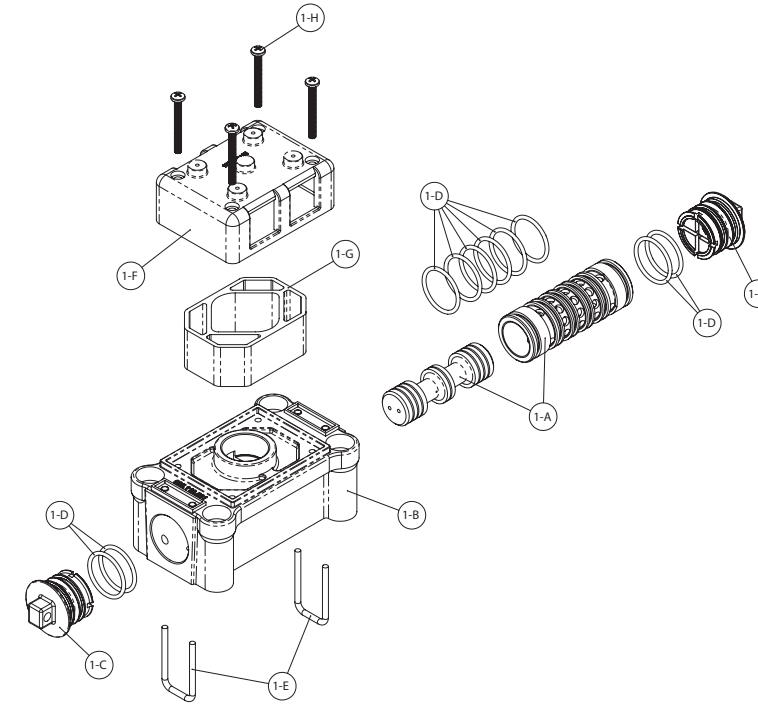
**BEDU**  
POMPEN

- Delrin and Hytrel are registered tradenames of E.I. DuPont.
- Nylatron is a registered tradename of Polymer Corp.
- Gylon is a registered tradename of Garlock, Inc.
- Santoprene is a registered tradename of Exxon Mobil Corp.
- Rulon II is a registered tradename of Dixon Industries Corp.
- Ryton is a registered tradename of Phillips Chemical Co.
- Valox is a registered tradename of General Electric Co.

## RECYCLING

Warren Rupp, manufacturer of Versamatic, is an ISO14001 registered company and is committed to minimizing the impact our products have on the environment. Many components of Versamatic® AODD pumps are made of recyclable materials. We encourage pump users to recycle worn out parts and pumps whenever possible, after any hazardous pumped fluids are thoroughly flushed. Pump users that recycle will gain the satisfaction to know that their discarded part(s) or pump will not end up in a landfill. The recyclability of Versamatic products is a vital part of Warren Rupp's commitment to environmental stewardship.

## Air Distribution Valve Assembly



### Air Distribution Valve Servicing

See repair parts drawing, remove screws.

**Step 1:** Remove air valve from pump (1).

**Step 2:** Remove retainer (1-E).

**Step 3:** Remove end caps (1-C).

**Step 4:** Remove spool part of (1-A) Inspect for wear or damage.

**Step 5:** Press sleeve part of (1-A) from body (1-B) Inspect for wear or damage.

**Step 6:** Inspect o-rings (1-D) and replace as needed.

**Step 7:** Lubricate o-rings (1-D) and press sleeve (1-A) in body (1-B).

**Step 8:** Press sleeve part of (1-A) into body (1-B).

**Step 9:** Reassemble in reverse order.

**Note:** Sleeve and spool (1-A) set is match ground to a specified clearance. Individual sleeves and spools (1-A) cannot be interchanged.

### Air Valve Assembly Parts List

Item	Part Number	Description	Qty
1	031-140-000	Air Valve Assembly	1
1-A	031-139-000	Sleeve and Spool Set	1
1-B	095-119-551	Body, Air Valve	1
1-C	165-140-551	End Cap	2
1-D	560-020-360	O-Ring	10
1-E	675-068-115	Retainer	2
1-F	165-096-551	Cap, Muffler	1
1-G	530-028-550	Muffler	1
1-H	710-015-115	Screws, Self tapping	4

#### For pumps with piped exhaust:

1	031-141-000	Air Valve Assembly	1
(Includes all items used on 031-140-100 minus items 1-F, 1-G & 1-H)			

### Air Valve Assembly Parts List Brass / Stainless

Item	Part Number	Description	Qty
1	031-140-162	Air Valve Assembly	1
1-A	031-139-162	Sleeve and Spool Set	1
1-B	095-119-551	Body, Air Valve	1
1-C	165-140-551	End Cap	2
1-D	560-020-360	O-Ring	10
1-E	675-068-115	Retainer	2
1-F	165-096-551	Cap, Muffler	1
1-G	530-028-550	Muffler	1
1-H	710-015-115	Screws, Self tapping	4

#### For pumps with piped exhaust:

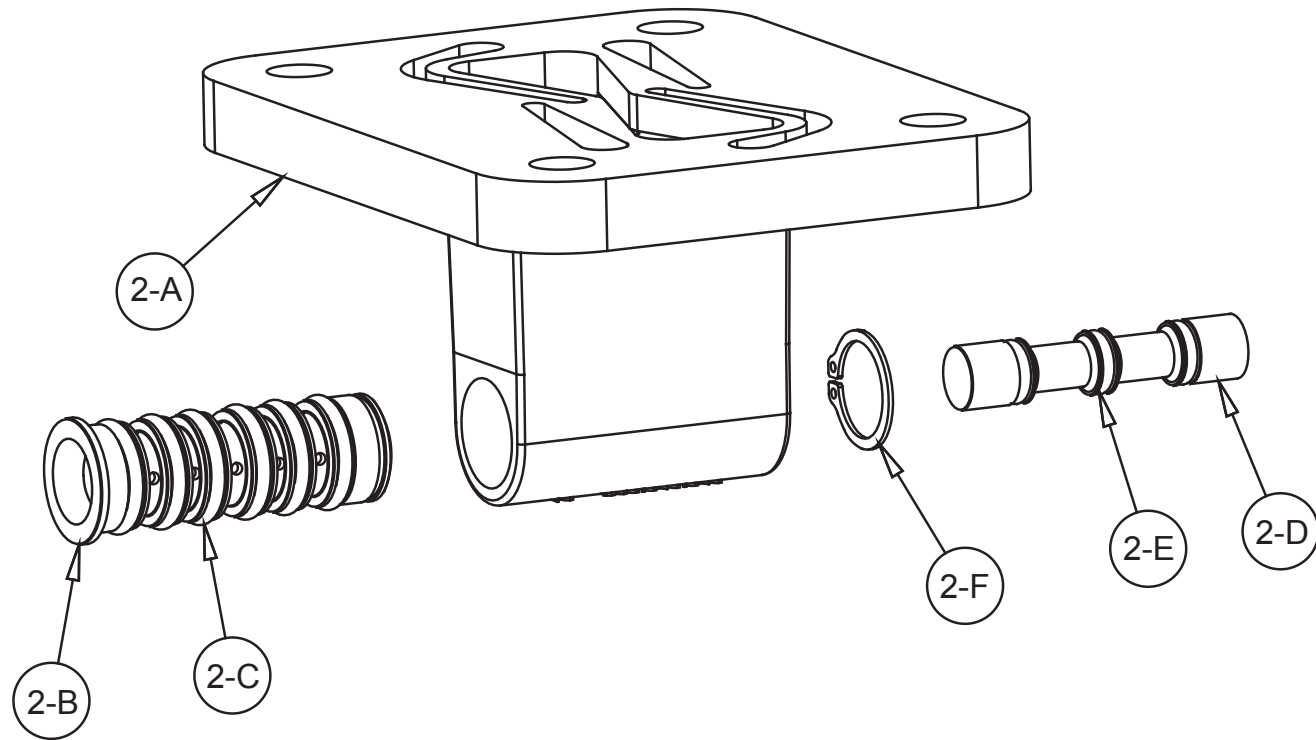
1	031-141-162	Air Valve Assembly	1
(Includes all items used on 031-140-162 minus items 1-F, 1-G & 1-H)			

### IMPORTANT



Read these instructions completely, before installation and start-up. It is the responsibility of the purchaser to retain this manual for reference. Failure to comply with the recommendations stated in this manual will damage the pump, and void factory warranty.

# Pilot Valve Assembly



## Pilot Valve Servicing

With Pilot Valve removed from pump.

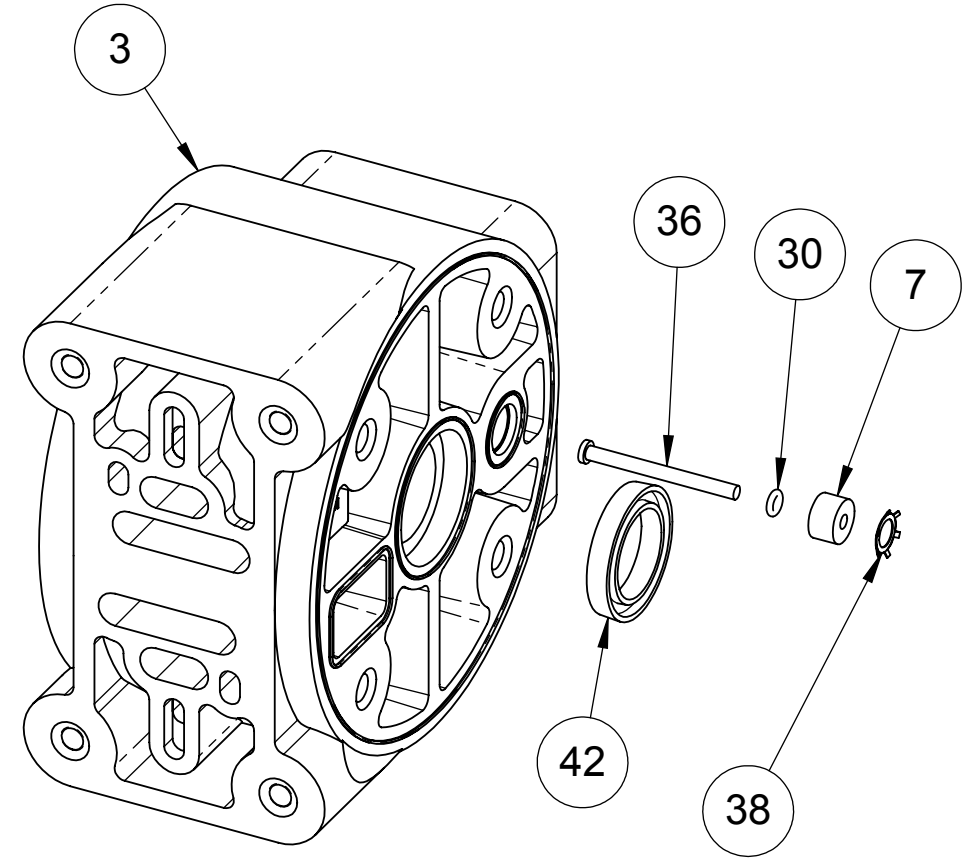
- Step 1:** Remove snap ring (2-F).
- Step 2:** Remove sleeve (2-B), inspect O-Rings (2-C), replace if required.
- Step 3:** Remove spool (2-D) from sleeve (2-B), inspect O-Rings (2-E), replace if required.
- Step 4:** Lightly lubricate O-Rings (2-C) and (2-E).

Reassemble in reverse order.

## Pilot Valve Assembly Parts List

Item	Part Number	Description	Qty
2	095-110-558	Pilot Valve Assembly	1
2-A	095-095-558	Valve Body	1
2-B	755-052-000	Sleeve (With O-Rings)	1
2-C	560-033-360	O-Ring (Sleeve)	6
2-D	775-055-000	Spool (With O-Rings)	1
2-E	560-023-360	O-Ring (Spool)	3
2-F	675-037-080	Retaining Ring	1

# Intermediate Assembly



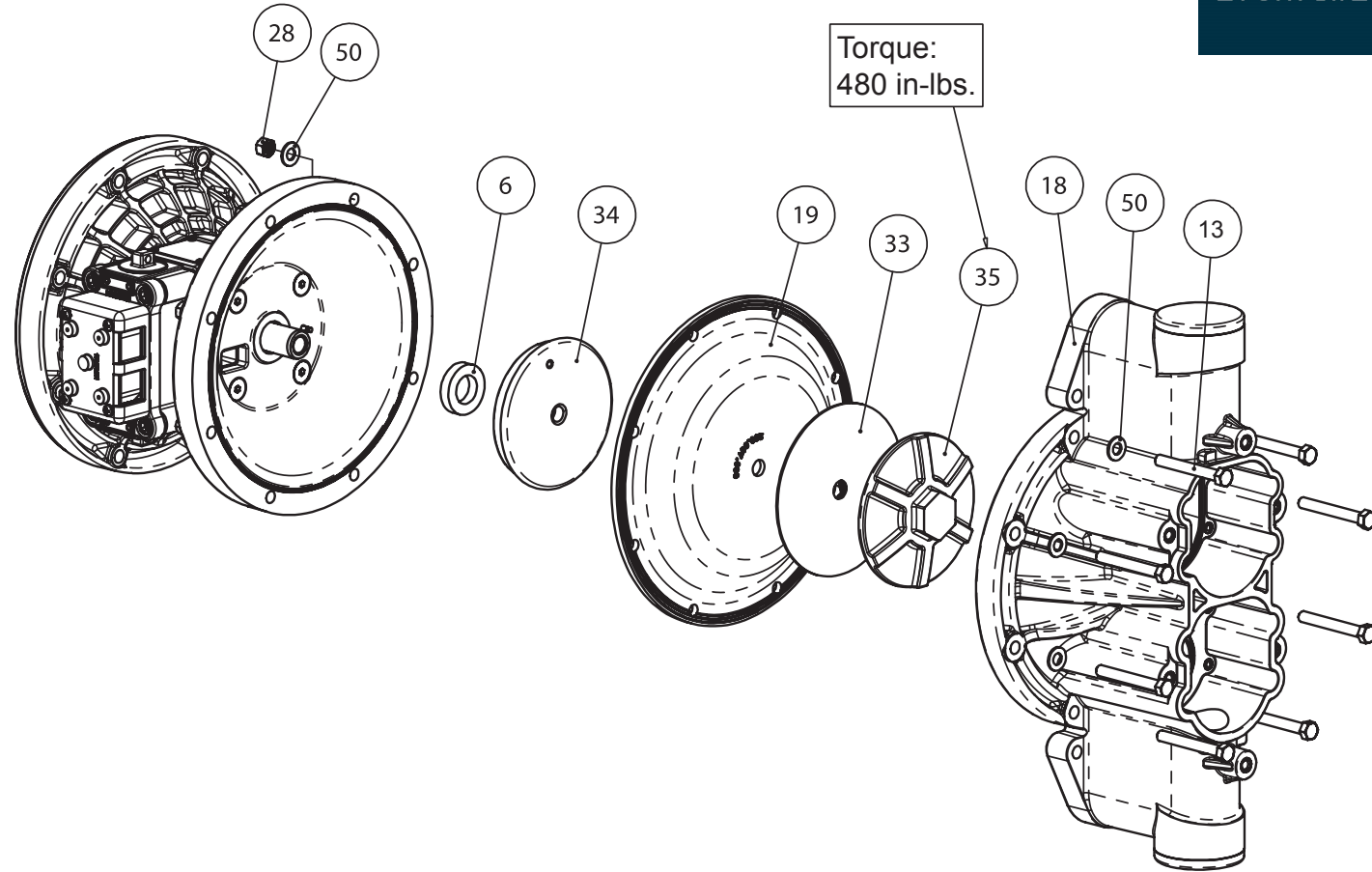
## Intermediate Assembly Drawing

- Step 1:** Remove plunger, actuator (36) from center of intermediate pilot valve cavity.
- Step 2:** Remove ring, retaining (38), discard.
- Step 3:** Remove bushing, plunger (7), inspect for wear and replace if necessary with genuine parts.
- Step 4:** Remove O-ring (30), inspect for wear and replace if necessary with genuine parts.
- Step 5:** Lightly lubricate O-ring (30) and insert into intermediate.
- Step 6:** Reassemble in reverse order.
- Step 7:** Remove seal, diaphragm rod (42).
- Step 8:** Clean seal area, lightly lubricate and install new seal, diaphragm rod (40, not shown).



# Diaphragm Service Drawing, Non-Overlay

**BEDU**  
POMPEN



## Diaphragm Servicing

**Step 1:** With manifolds and outer chambers removed, remove diaphragm assemblies from diaphragm rod. **DO NOT** use a pipe wrench or similar tool to remove assembly from rod. Flaws in the rod surface may damage seals. Soft jaws in a vise are recommended to prevent diaphragm rod damage.

**Step 1.A: NOTE:** Not all inner diaphragm plates are threaded. Some models utilize a through hole in the inner diaphragm plate. If required to separate diaphragm assembly, place assembly in a vise, gripping on the exterior cast diameter of the inner plate. Turn the outer plate clockwise to separate the assembly.

Always inspect diaphragms for wear cracks or chemical attack. Inspect inner and outer plates for deformities, rust scale and wear. Inspect intermediate bearings for elongation and wear. Inspect diaphragm rod for wear or marks. Clean or repair if appropriate. Replace as required.

**Step 2: Reassemble**  
Outer plate with a threaded stud, diaphragm, and an inner plate with through hole. Secure threaded inner plate in a vise. Ensure that the plates are being installed with the outer radius against the diaphragm.

**Step 3:** Lightly lubricate, with a compatible material, the inner faces of both outer and inner diaphragm plates when using on non Overlay diaphragms (For EPDM water is recommended). No lubrication is required.

**Step 4:** Push the threaded outer diaphragm plate through the center hole of the diaphragm. **Note:** Most diaphragms are installed with the natural bulge out towards the fluid side.

**Step 5:** Thread or place, outer plate stud into the inner plate. For threaded inner plates, use a torque wrench to tighten the assembly together. Torque values are called out on the exploded view.

Repeat procedure for second side assembly. Allow a minimum of 15 minutes to elapse after torquing, then re-torque the assembly to compensate for stress relaxation in the clamped assembly.

**Step 6:** Thread one assembly onto the diaphragm rod with sealing washer (when used) and bumper.

**Step 7:** Install diaphragm rod assembly into pump and secure by installing the outer chamber in place and tightening the capscrews.

**Step 8:** On opposite side of pump, thread the remaining assembly onto the diaphragm rod. Using a torque wrench, tighten the assembly to the diaphragm rod. Align diaphragm through bolt holes, always going

forward past the recommended torque. Torque values are called out on the exploded view. **NEVER** reverse to align holes, if alignment cannot be achieved without damage to diaphragm, loosen complete assemblies, rotate diaphragm and reassemble as described above.

**Step 9:** Complete assembly of entire unit.

### IMPORTANT



Read these instructions completely, before installation and start-up. It is the responsibility of the purchaser to retain this manual for reference. Failure to comply with the recommendations stated in this manual will damage the pump, and void factory warranty.

# 5 - YEAR Limited Product Warranty

Quality System ISO9001 Certified • Environmental Management Systems ISO14001 Certified

Versamatic warrants to the original end-use purchaser that no product sold by Versamatic that bears a Versamatic brand shall fail under normal use and service due to a defect in material or workmanship within five years from the date of shipment from Versamatic's factory.

The use of non-OEM replacement parts will void (or negate) agency certifications, including CE, ATEX, CSA, 3A and EC1935 compliance (Food Contact Materials). Warren Rupp, Inc. cannot ensure nor warrant non-OEM parts to meet the stringent requirements of the certifying agencies.

~ See complete warranty at [http://vm.salesmrc.com/pdfs/VM\\_Product\\_Warranty.pdf](http://vm.salesmrc.com/pdfs/VM_Product_Warranty.pdf)

## DECLARATION OF CONFORMITY

DECLARATION DE CONFORMITE • DECLARACION DE CONFORMIDAD • ERKLÄRUNG BEZÜGLICH EINHALTUNG DER VORSCHRIFTEN  
DICHIARAZIONE DI CONFORMITÀ • CONFORMITEITSVERKLARING • DEKLARATION OM ÖVERENSSTÄMMELSE  
EF-OVERENSSTEMMELSESERKLÄRING • VAATIMUSTENMUKAISUUSVAKUUTUS • SAMSVARSERKLÄRING  
DECLARAÇÃO DE CONFORMIDADE



### PUMP MODEL SERIES: E SERIES, V SERIES, VT SERIES, VSMA3, SPA15, RE SERIES AND U2 SERIES

This product complies with the following European Community Directives:

Ce produit est conforme aux directives de la Communauté européenne suivantes:  
Este producto cumple con las siguientes Directrices de la Comunidad Europea:  
Dieses produkt erfüllt die folgenden Vorschriften der Europäischen Gemeinschaft:

Questo prodotto è conforme alle seguenti direttive CEE:  
Dir produkt voldoet aan de volgende EG-richtlijnen:

Denna produkt överensstämmer med följande EU direktiv:

Versamatic, Inc., erklærer herved som fabrikant, at ovennævnte produkt er i overensstemmelse med bestemmelserne i Direktive:

Tämä tuote täyttää seuraavien EC Direktiivien vaatimukset:

Dette produkt oppfyller kravene til følgende EC Direktiver:

Este produto está de acordo com as seguintes Directivas comunitárias:

**2006/42/EC**

**on Machinery, according  
to Annex VIII**

This product has used the following harmonized standards to verify conformance:

Ce matériel est fabriqué selon les normes harmonisées suivantes, afin d' en garantir la conformité:

Este producto cumple con las siguientes directrices de la comunidad europea:

Dieses produkt ist nach folgenden harmonisierten standards gefertigt worden, die übereinstimmung wird bestätigt:

Questo prodotto ha utilizzato i seguenti standards per verificare la conformità:

De volgende geharmoniseerde normen werden gehanteerd om de conformiteit van dit produkt te garanderen:

För denna produkt har följande harmoniserande standarder använts för att bekräfta överensstämmelse:

Harmoniserede standarder, der er benyttet:

Tässä tuotteessa on sovellettu seuraavia yhdenmukaistettuja standardeja:

Dette produkt er produsert i overensstemmelse med følgende harmoniserte standarder:

Este produto utilizou os seguintes padrões harmonizados para verificar conformidade:

**EN809:2012**

**AUTHORIZED/ APPROVED BY:**

Approuve par:  
Aprobado por:  
Genehmigt von:  
approvato da:  
Goedgekeurd door:  
Underskrift:  
Valtuutettuna:  
Bemyndiget av:  
Autorizado Por:

*David Roseberry*  
Dave Roseberry

Director of Engineering

Authorized Representative:

IDEX Pump Technologies  
R79 Shannon Industrial Estate,  
Shannon, Co. Clare Ireland  
Attn: Barry McMahon

**DATE: February 27, 2017**

FECHA:  
DATUM:  
DATA:  
DATO:  
PÄIVÄYS:



VMQR 044FM

06/14/2017 REV 08