



Construction

Horizontal multi-stage close coupled pump.
Single-piece barrel casing in chrome-nickel stainless steel, with front suction port above pumps axis and radial delivery at top.
Stages in Noryl.

Applications

For water supply.
For domestic use, for garden use and irrigation.

Operating conditions

Liquid temperature: 0 °C to +50 °C.
Ambient temperature up to +40 °C.
Maximum permissible pressure in the pump casing: 8 bar.
Continuous duty.

Motor

2-pole induction motor, 50 Hz ($n \approx 2800$ rpm).

MXP: three-phase 230/400 V $\pm 10\%$.

MXPM: single-phase 230 V $\pm 10\%$, with thermal protector.
Capacitor inside the terminal box.

Insulation class F.

Protection IP 54.

Motor suitable for operation with frequency converter from 1,1 kW.

Classification scheme IE3 for three-phase motors from 0,75 kW.

Constructed in accordance with: EN 60034-1; EN 60034-30-1.
EN 60335-1, EN 60335-2-41.

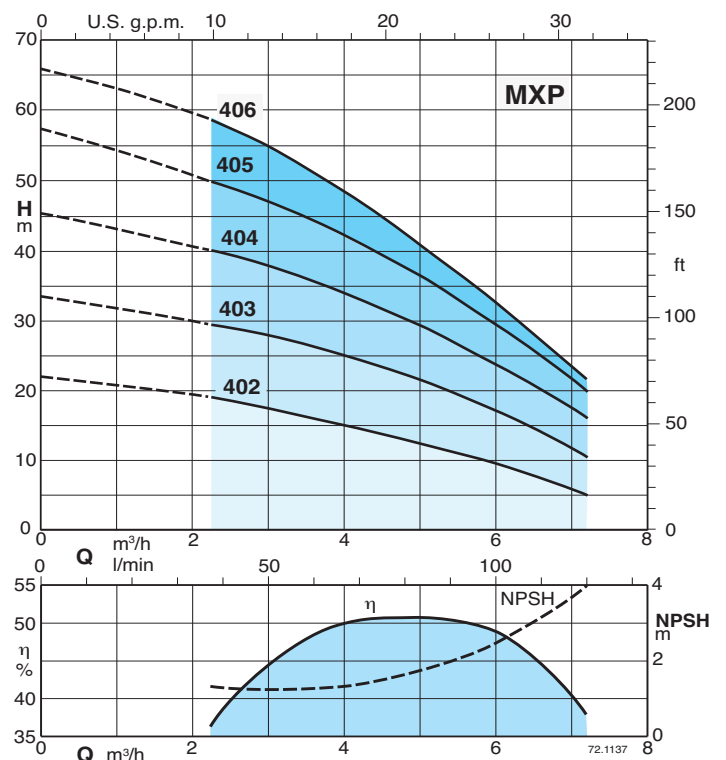
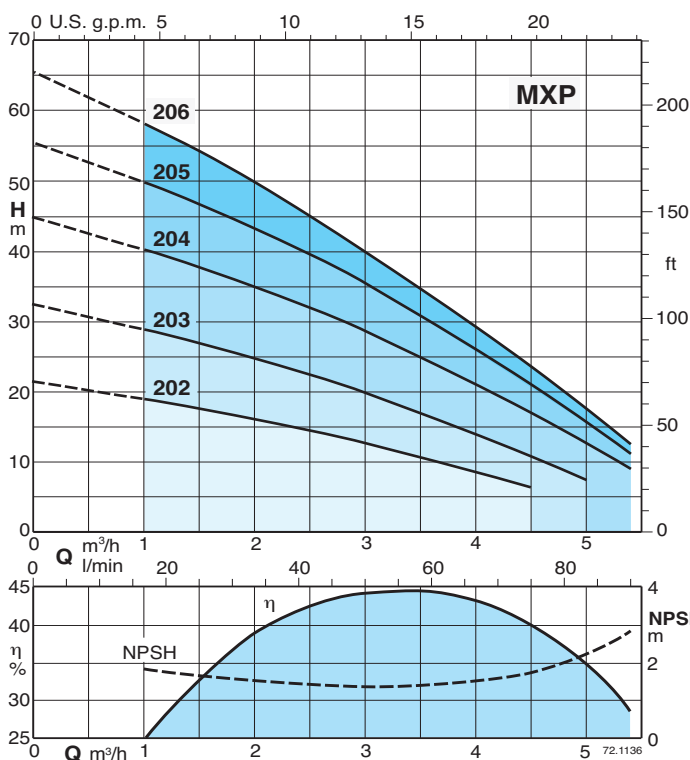
Materials

Component	Material
Pump casing	Cr-Ni steel 1.4301 EN 10088 (AISI 304)
Casing cover	Cr-Ni steel 1.4301 EN 10088 (AISI 304)
Pump Shaft	Chrome steel 1.4104 EN 10088 (AISI 430)
Plug	Cr-Ni steel 1.4305 EN 10088 (AISI 303)
Stage casing	PPO-GF20 (Noryl)
Impeller	PPO-GF20 (Noryl)
Mechanical seal	Carbon - Ceramic - NBR

Special features on request

- Other voltages.
- Frequency 60 Hz (as per 60 Hz data sheet).
- Motor suitable for operation with frequency converter up to 0,75 kW.

Characteristic curves $n \approx 2800$ rpm



Performance $n \approx 2800$ rpm

3 ~	230 V 400 V		1 ~	230 V		P ₁		P ₂		Q	m ³ /h											
	A	A		A	kW	kW	HP	l/min	0		1	1,5	2	2,5	3	3,5	4	4,5	5	5,4		
MXP 202	1,7	1	MXPM 202	2,3	0,45	0,33	0,45			H	m	21,5	19	17,5	16	14,5	12,5	10,5	8,5	6,5		
MXP 203	2,4	1,4	MXPM 203	3	0,63	0,45	0,6				32,5	29	27	25	22,5	20	17	14	11	7,5		
MXP 204/A	2,8	1,6	MXPM 204/A	4,2	0,8	0,55	0,75			H	m	45	40	37,5	35	32	28,5	25	21,5	17	13	9
MXP 205/A	3,5	2	MXPM 205	5,4	1,2	0,75	1				56	50	46,5	43,5	40	35,5	31	26,5	21	16	11	
MXP 206	3,5	2	MXPM 206	5,4	1,2	0,75	1				65,6	58,1	54,2	49,7	44,9	39,7	34,5	29	23,4	17,3	12,3	

3 ~	230 V 400 V		1 ~	230 V		P ₁		P ₂		Q	m ³ /h									
	A	A		A	kW	kW	HP	l/min	0		2,25	3	3,5	4	4,5	5	6	7,2		
MXP 402	2,4	1,4	MXPM 402	3	0,61	0,45	0,6			H	m	22	19	17,5	16,5	15	14	12,5	9,5	5
MXP 403/A	2,8	1,6	MXPM 403/A	4,2	0,9	0,55	0,75				33,5	30	28	26,5	25	23	21,5	17	10	
MXP 404/B	3,5	2	MXPM 404/A	5,4	1,2	0,75	1			H	m	46	40	38	36,5	34	32	29,5	24	16
MXP 405	4,5	2,6	MXPM 405	7	1,5	1,1	1,5				56	50	47	45	42	39,5	36	29,5	20	
MXP 406	7,5	4,3	MXPM 406	9,2	2	1,5	2				65,9	58,5	54,6	51,5	48,2	44,6	40,7	32,4	21,4	

P₁ Max. power input.

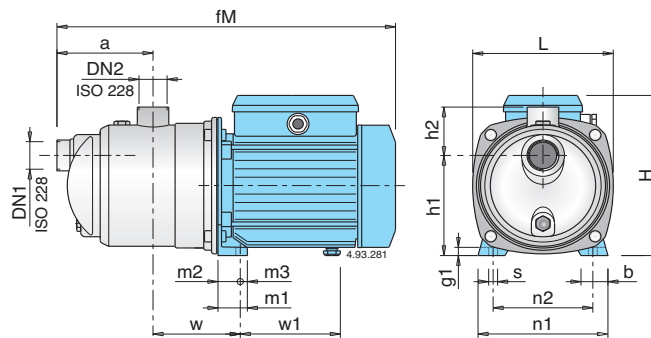
P₂ Rated motor power output.

Test results with clean cold water, without gas content.
+ 0,5 m security margin on NPSH-value is necessary.

Tolerances according to UNI EN ISO 9906:2012

For capacities over 4 m³/h use a suction pipe G 1 1/4 (DN 32).

Dimensions and weights



TYPE	DN1	DN2	Dimensions mm																Net weight kg	
			ISO 228	fM	a	w	h1	h2	H	L	m1	m2	m3	n1	n2	b	s	g1	w1	MXP
MXP 202 - MXPM 202	G 1	G 1	362	115	95	116	61	176	161	33	25	8	146	112	30	9	10	102	5,9	6
MXP 203 - MXPM 203	G 1	G 1	362	115	95	116	61	176	161	33	25	8	146	112	30	9	10	102	6,6	6,7
MXP 204/A - MXPM 204/A	G 1	G 1	391	115	95	116	61	192	161	33	25	8	146	112	30	9	10	112	8,7	9,6
MXP 205/A - MXPM 205	G 1	G 1	391	115	95	116	61	192	161	33	25	8	146	112	30	9	10	112	10,3	10,5
MXP 206 - MXPM 206	G 1 1/4	G 1	462	140	113	152	68	225	213,5	37,5	28	9,5	185	155	33	9,5	11	147	12,5	12,5
MXP 402 - MXPM 402	G 1	G 1	362	115	95	116	61	176	161	33	25	8	146	112	30	9	10	102	6,5	6,6
MXP 403/A - MXPM 403/A	G 1	G 1	391	115	95	116	61	192	161	33	25	8	146	112	30	9	10	112	8,6	9,5
MXP 404/B - MXPM 404/A	G 1	G 1	391	115	95	116	61	192	161	33	25	8	146	112	30	9	10	112	10,3	10,5
MXP 405 - MXPM 405	G 1	G 1	421	115	95	116	61	192	161	33	25	8	146	112	30	9	10	142	13,2	13,5
MXP 406 - MXPM 406	G 1 1/4	G 1	488,5	140	113	152	68	240	213,5	37,5	28	9,5	185	155	33	9,5	11	157,5	17,5	17,5

Features

Extra safety

against running dry, with the suction port above pump axis.

Robust

Single-piece barrel casing.

Compact

Single-piece lantern bracket and base.

Low noise

with the water-filled shroud around the stages.

