

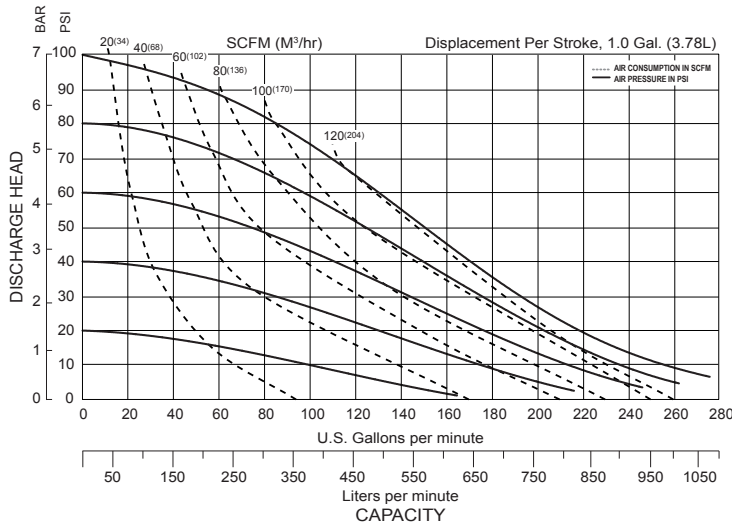
E3 DATA SHEET

SPECIFICATIONS & PERFORMANCE



3" Bolted Plastic with Plastic Center Section

PERFORMANCE



NOTE: Performance based on the following: elastomeric fitted pump, flooded suction, water at ambient conditions. The use of other materials and varying hydraulic conditions may result in deviations in excess of 5%.

SPECIFICATIONS

Flow Rate

Adjustable to
 0 to 280 GPM (1060 LPM)

Port Size

Suction
 3" ANSI Style Flange (DIN 80)
 Discharge
 3" ANSI Style Flange (DIN 80)

Air Inlet 3/4" NPT

Air Exhaust 1" NPT

Suction Lift

Dry 20' (6.1 m)
 Wet 25' (7.6 m)

Max Solid Size (Diameter)

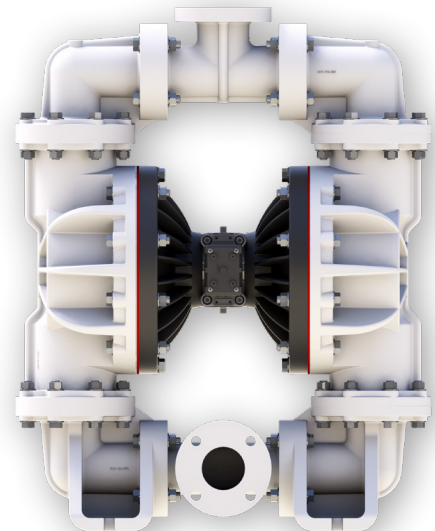
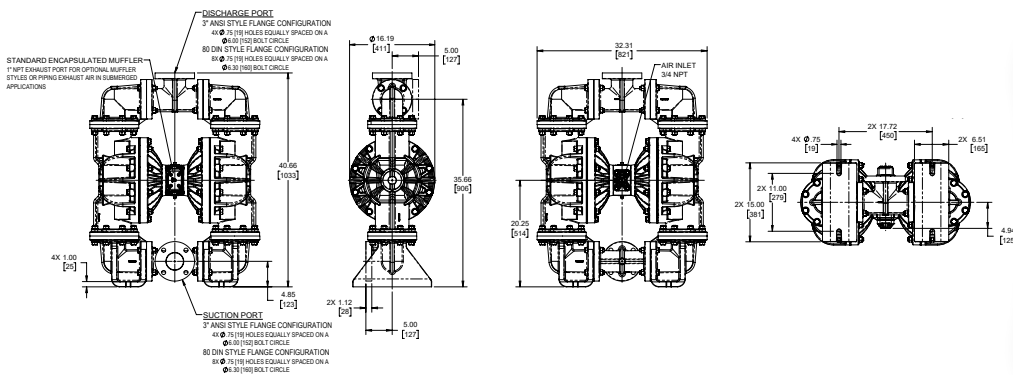
. 0.71" (18 mm)

Max Noise Level 96 dB(A)

Shipping Weights

Polypropylene 208 lbs (94 kg)
 PVDF 271 lbs (123 kg)

DIMENSIONS



Warren Rupp, Inc. | A Unit of IDEX Corporation
 800 North Main Street | Mansfield, OH 44902 USA
 Phone: 419.526.7296 | Fax: 419.526.7289

VERSAMATIC.COM

e3nmdlBsm-rev0519

©Copyright 2019 Warren Rupp, Inc. All Rights Reserved.