

NEW PRODUCT

1 1/2" Metallic Bolted

**E40**



# **VERSA-MATIC® E40**

Experience Superior Performance



**NEW**

## Industry Leading:

- Flow rate
- Displacement
- Dry suction lift

## Inter-changeable:

Dimensionally interchangeable with Wilden® 1 1/2" aluminum bolted pumps



**BEDU**  
POMPEN



# Features & Benefits

E40 1 1/2" Metallic Bolted



## Exclusive Elima-Matic Air Valve System

Enhanced air valve system delivers consistent on/off/on reliability, while maintaining superior air efficiency



## Simple, Low Cost Maintenance

Removable air valve sleeve and modular pilot spool design



## Extended-life Diaphragms

Experience the value of patented Versa-Dome® or PTFE FUSION diaphragm technologies



## Long Term Reliability

Modular pilot assembly eliminates complexity, and ensures consistent performance after maintenance is performed



## Chemical Resistance

Optional stainless steel air sections for harsh environments



## Leak-Free Design

Bolted construction provides enhanced sealing capabilities and reliability



## Industry Leading Flow

Advanced flow through casting designs deliver flow rates up to 123 gpm (465 lpm)



## Dimensional Interchangeability

Dimensionally interchangeable with Wilden® 1 1/2" aluminum bolted pumps



# Accessories & Specifications

E40 1 1/2" Metallic Bolted

PC

## Accessories / Kits:



**Filter / Regulator**  
020.V104.000

1/2" with liquid filled pressure gauge. Clean, regulated air is the key to trouble free pump operation.

We recommend the use of a Filter/Regulator with every pump.



**ANSI Flange Kit**  
475.V014.000

Stainless steel. Factory Installed: E40xxxxx9C-A (ANSI) pump



**Parts Kits**

Save time and money with complete repair kits.

**Air Side:**  
476.V019.000

**Wet Side:**  
476.V026.365 (N)  
476.V026.360 (BN)  
476.V026.363 (VT)  
476.V026.364 (ND)  
476.V026.600 (TF)  
476.V026.354 (XL-Santo.)

## Performance:

### E40 1 1/2" Bolted Pump - Metallic Center

#### Flow Rate

Elastomeric . . . . . 0-123 gpm (465 lpm)  
PTFE . . . . . 0-103 gpm (389.9 lpm)

#### Port Size

Suction . . . . . 1 1/2" NPT (BSP)  
Discharge . . . . . 1 1/2" NPT (BSP)

**Air Inlet** . . . . . 1/2" NPT

**Air Exhaust** . . . . . 1" NPT

#### Suction Lift

Dry (Elastomeric) . . . . . 19' (5.8 m)  
Dry (PTFE) . . . . . 12' (3.7 m)  
Wet (Elastomeric) . . . . . 31' (9.4 m)  
Wet (PTFE) . . . . . 29' (8.8 m)

**Max Solid Size (Diameter)** . . . . 1/4" (6 mm)

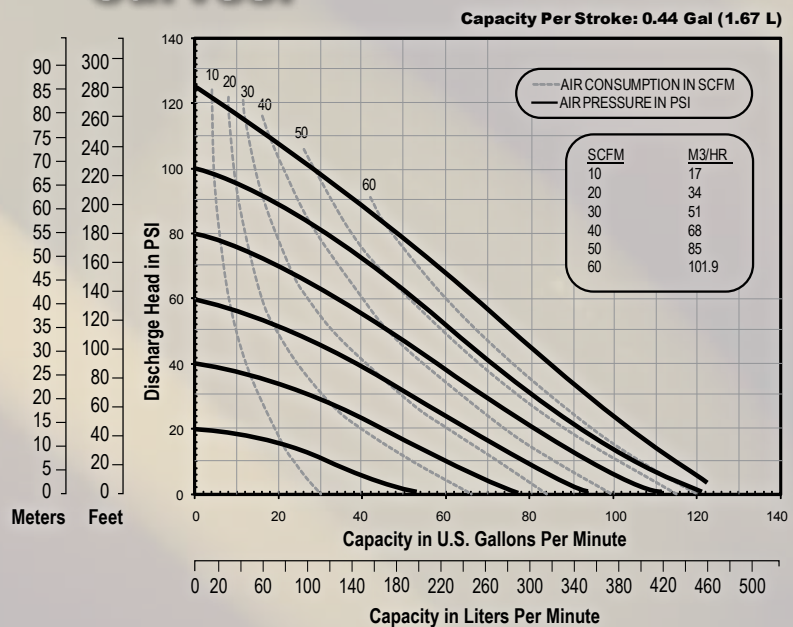
**Max Noise Level** . . . . . 101 dB(A)

#### Shipping Weights

Aluminum . . . . . 55 lbs (25 kg)  
Cast Iron . . . . . 95 lbs (43 kg)  
Stainless Steel . . . . . 92 lbs (42 kg)

\*w/ Stainless Center add 21 lbs (9.5 kg)

## Curves:

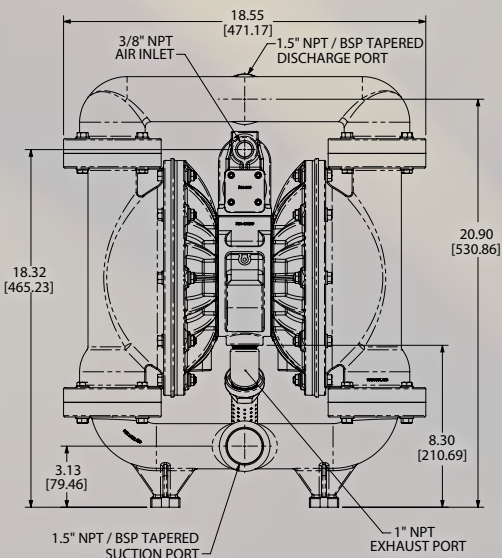
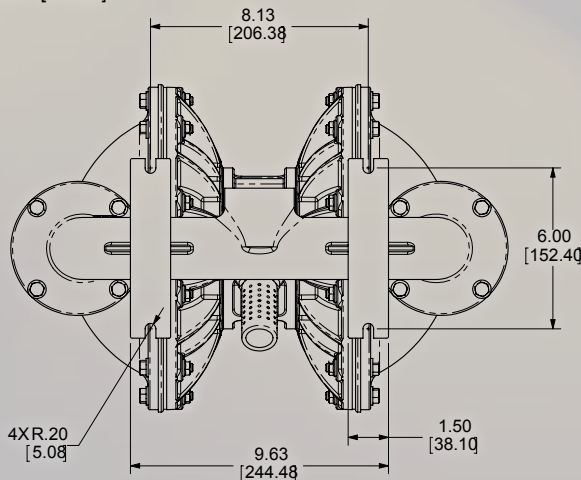


NOTE: Performance based on the following: elastomeric fitted pump, flooded suction, water at ambient conditions. The use of other materials and varying hydraulic conditions may result in deviations in excess of 5%.

## Dimensional Drawings:

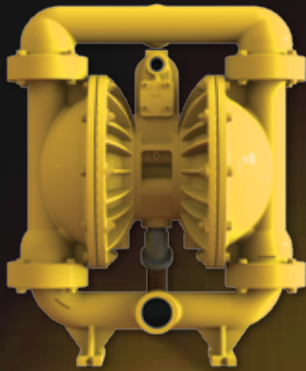
Dimensions in Inches [mm]

Tolerance: ±1/8" [± 3mm]





# VERSA-MATIC® vs. Competition



## E40 is the performance leader in:

- Flow rate
- Displacement per cycle
- Dry suction lift

Greater flow rates offer enhanced flexibility. Superior displacement per cycle reduces pump wear by reducing strokes and increases air efficiency leading to a lower overall cost of ownership.

	Versa-Matic® E40	Wilden® PX400	Yamada® NDP40	ARO® PX15	Graco® 1590
<b>Max Flow Rate</b> gpm (lpm)	<b>123 (465)</b>	106 (401)*	107 (405)	123 (465)	100 (379)
<b>Displacement Per Cycle</b> gallon (liter)	<b>0.88 (3.34)</b>	0.42 (1.58)*	0.73 (2.69)	0.617 (2.34)	0.50 (1.96)
<b>Suction Lift</b> feet (meter)	<b>19' (5.8)</b>	13.6' (4.14)*	18' (5.49)	14' (4.2)	18' (5.48)

Note: all information above was derived from published product information for aluminum / rubber fitted pump units.

\* Wilden® PX400 fitted with Ultra-Flex™ rubber diaphragms.

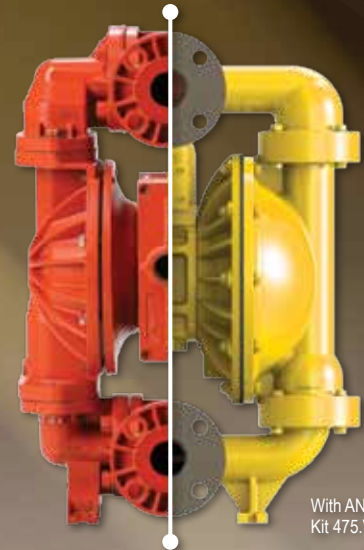
## Dimensional Interchangeability

The Versa-Matic E40 1½" aluminum pump is specifically designed to be a simple drop-in (footprint & centerline) for installed Wilden® 1½" aluminum bolted units in the field.

**Wilden®**  
1½" ALUMINUM  
BOLTED



**VERSA-MATIC®**  
E40 1½" ALUMINUM  
BOLTED



With ANSI Flange  
Kit 475.V014.000

Wilden is a registered trade name of the Wilden Pump and engineering company, a Dover Resources Company. • ARO is a registered trade name of Ingersoll Rand, Inc. • Yamada is a registered trade name of Yamada America, Inc. • Graco is a registered trade name of Graco, Inc.



**VERSA-MATIC®**  
Warren Rupp, Inc.  
A Unit of IDEX Corporation  
800 North Main Street  
Mansfield, OH 44902 USA

Phone: 419.526.7296

Fax: 419.526.7289

[www.versamatic.com](http://www.versamatic.com)



**Distributed By:**

©Copyright 2012 Warren Rupp, Inc. All Rights Reserved.

VM40bro-rev1212