

# Solenoid metering pumps

## SDP Series

The SDP family of solenoid metering pumps complements Doseuro's wide range of dosing pumps. These solenoid driven pumps provide a simple and reliable solution for applications requiring lower flow rates.

THE USE OF AN INTEGRATED MICROPROCESSOR MAKES THE SDP FAMILY EXTREMELY ACCURATE AND FLEXIBLE.

A WIDE RANGE OF CONSTANT AND PROPORTIONAL DOSING APPLICATION CAN BE MET WITH A FEW MODELS.



### Application

This SDP family of solenoid-based metering pumps are generally used in the following applications:

- Drinking water treatment
- Cooling Tower water treatment
- Pools
- Hydroponics
- Aquaculture
- Car Wash

### Features

- Foot mounted dosing pump
- Corrosion-proof reinforced polypropylene housing
- Solid PTFE diaphragm
- Water-resistant IP65 protection
- Wide choice of wetted parts materials:  
PP; PVC; S.S.316; PTFE; PVDF
- Standard power supply:  
230V 50/60 Hz  
On request: 24V d.c., 12V d.c.,  
24V a.c., 110V 50/60 Hz

All chemical dosing pumps come complete with accessories to improve the operating and accuracy of the chemical dosing pump:

- Injection valve
- 1.5 mt suction pipe
- 1.5 mt delivery pipe
- Strainer

### SMC

Analogic dosing pump.

Potentiometer manual adjustment range 10–100% with double regulating scale.

### SMM

Digital dosing pump. Operating function regulated by microprocessor.

Manual flow rate adjustment with 3 digit display from 0–100%.

Level control setting (probe not included).

### SSW

Digital dosing pump. Operating function is regulated by a microprocessor and 12X2 LCD display.

Multifunction or proportional by incoming digital or analogic signal: 0–20 mA; 1 x n; 1: n; 1 x n–M.

Level control setting (probe not included).

### SMF

Dosing pump with pH, Rx, Cl built in instruments.

Operation mode: 0–14 pH ; –1000 : +1400mV ; 0–2, 20, 200 ppm

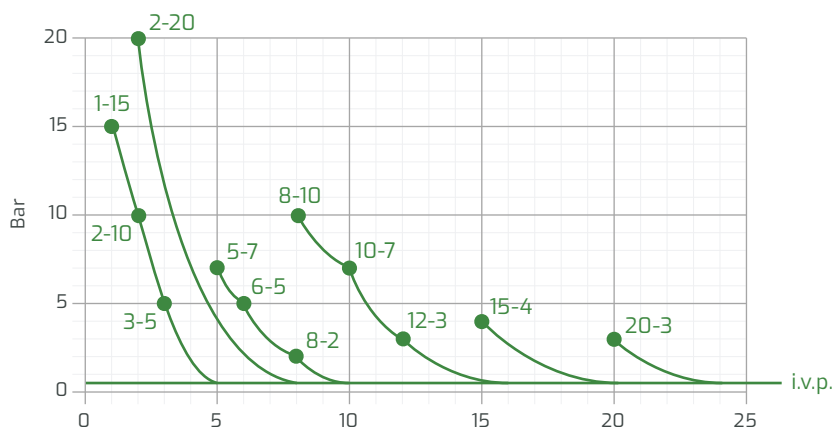
Temperature compensation 0–100°C ; 4–20mA out–put Protection IP65

Predisposed for level probe setting (probe not included).

## SDP Series

Characteristics									
Type	Max capacity (Lt/H)	Max pressure (Bar)	Stroke lenght (mm)	Stroke per minute (spm)	Absorbed power (Watt)	Absorbed current (Ampere)	Connection (mm)	Suction lift (mcw)	Weight (Kg)
115	1	15	0.8	120	37	0.16	4/6	2	3.5
	2	10							
	3	5							
	5	2							
220	2	20	1	120	58	0.25	4/6	2	3.5
	3	10							
	4	5							
	5	2							
507	5	7	1	120	37	0.16	4/6	2	3.5
	7	4							
	8	2							
810	3	12	1.4	120	58	0.25	4/6	2	4.1
	7	10							
	10	5							
	11	2							
154	15	4	2.2	120	58	0.25	4/6	2	4.1
	16	2							
	17	1							
203	20	3	2.2	120	58	0.25	4/6	2	4.1
	22	1							

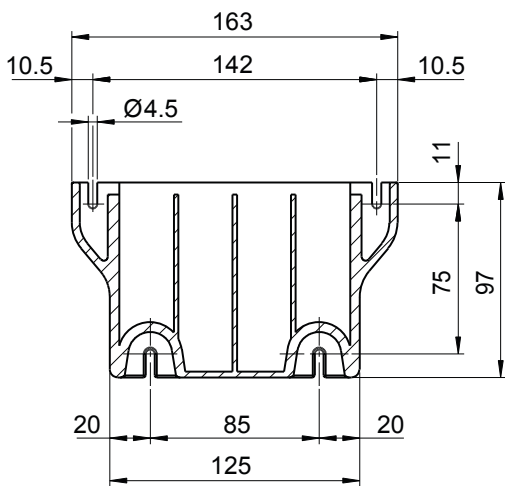
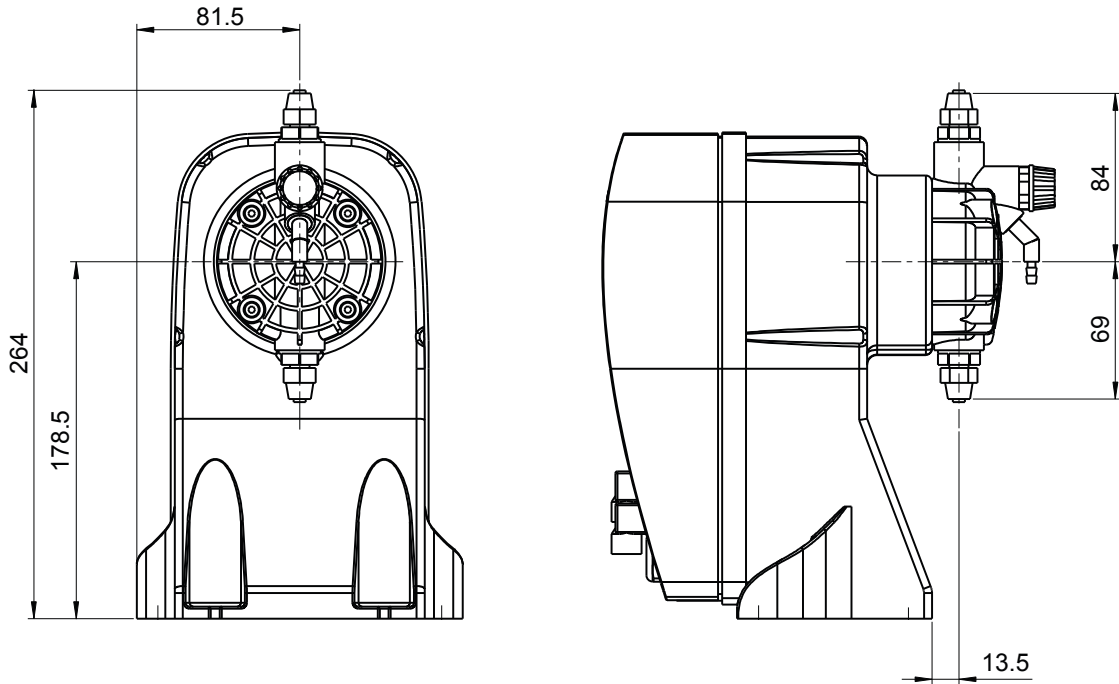
## Performance curve



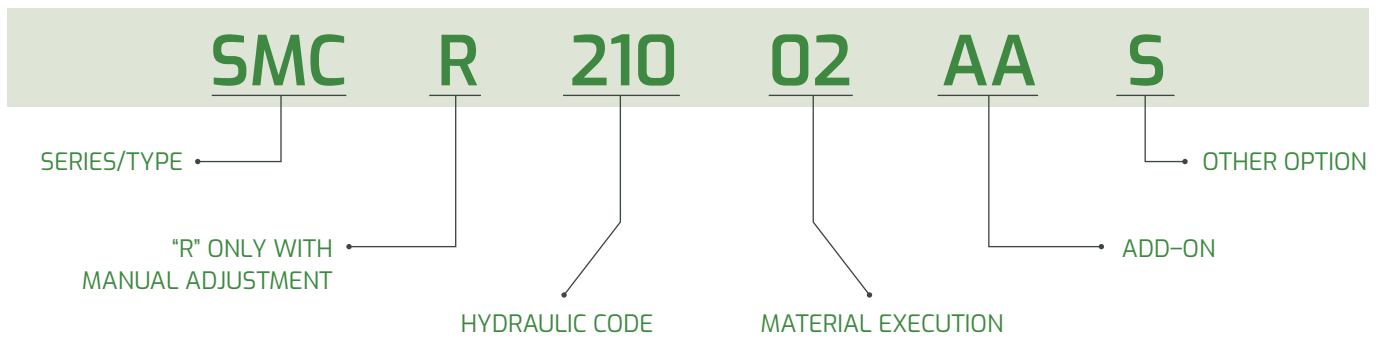
## Wetted parts code for standard materials

Execution	Pump head	Diaphragm	Lip valve	O-ring valve	Valve ball	Kit
02	PP	PTFE	FPM	FPM	N.A.	Kit 1
29	PVDF	PTFE	N.A.	FPM	Ceramic	Kit 1
24	PVDF	PTFE	N.A.	FPM	Ceramic	Kit 3
31	PVDF	PTFE	N.A.	FPM	Ceramic	Kit 4

Kit 1	PP + FPM	Kit 3	PVDF + Ceramic + FPM	Kit 4	PVDF + Ceramic + PTFE
-------	----------	-------	----------------------	-------	-----------------------



How to read pump model



SIMPLIFIED FLUID HANDLING

Bedu Pompen B.V.  
 Poort van midden Gelderland Rood 10  
 6666 LT Heteren, Nederland  
 +31 (0)88-4802900  
[www.bedu.eu](http://www.bedu.eu)  
[info@bedu.eu](mailto:info@bedu.eu)

