

BEDU
≡ POMPEN ≡

ECO BNM



Rigidly coupled
centrifugal pumps

made for your process



ECO BNM

RIGIDLY COUPLED CENTRIFUGAL PUMPS



Handled Liquids

Clean or slightly contaminated low viscosity liquids without solid & fibrous particles.

Technical Data

Discharge Flange _____ DN 32.....DN 150 mm

Capacity _____ up to 600 m³/h(*)

Head _____ up to 100 m(*)

Operating Temperature _____ -10 °C' to +140 °C(**)

Casing Pressure (Pmax) _____ 10 bar (16 bar)(**)

(Pmax: Suction Pressure + Shut off Head)

(*) Contact company for higher capacity and head values.

(**) The Material of pump differs according to the type of pumped liquid, operating temperature and pressure. Contact for detailed information.

Design Features

•Horizontal / Vertical rigidly-coupled, volute casing, single stage, end suction centrifugal pump with closed impeller.

•Volute casing dimensions comply with EN 733.

•Suction and discharge flanges conform to EN 1092-2 / PN 16. The flanges are according to EN 1092-1 / PN 16 for steel or stainless steel casing. In case of request, ANSI/ASME flanges can be supplied.

•Pumps are rigidly coupled with electric motors of IEC frame sizes with high efficiency class.

•All impellers are balanced dynamically or statically according to ISO 1940 grade 6.3.

•Axial thrust is balanced by impeller balancing holes system.

•Direction of rotation is clockwise viewed from drive end.

•In case of request, wear ring and/or shaft sleeve can be supplied.

•The pump and motor have separate shafts connected by a rigid coupling or through slide fit shaft. Axial and radial forces are absorbed by electric motor bearings.

•Rigidly coupled pumps are lighter and smaller comparing to the norm centrifugal pumps of same hydraulic specifications.

•When the elbow is mounted on the suction of the pump, the name is changed to ECOBNMV. In this case, the pump is always installed vertically.

•The electrical motor powers of ECOBNMV pumps are limited because of its installation type.

Shaft Sealing

•Depending on customer request or liquid type, mechanical seals are available.

Pump Designation

ECO BNM-V 100 - 250 - XXX

Pump Type _____

Vertical _____

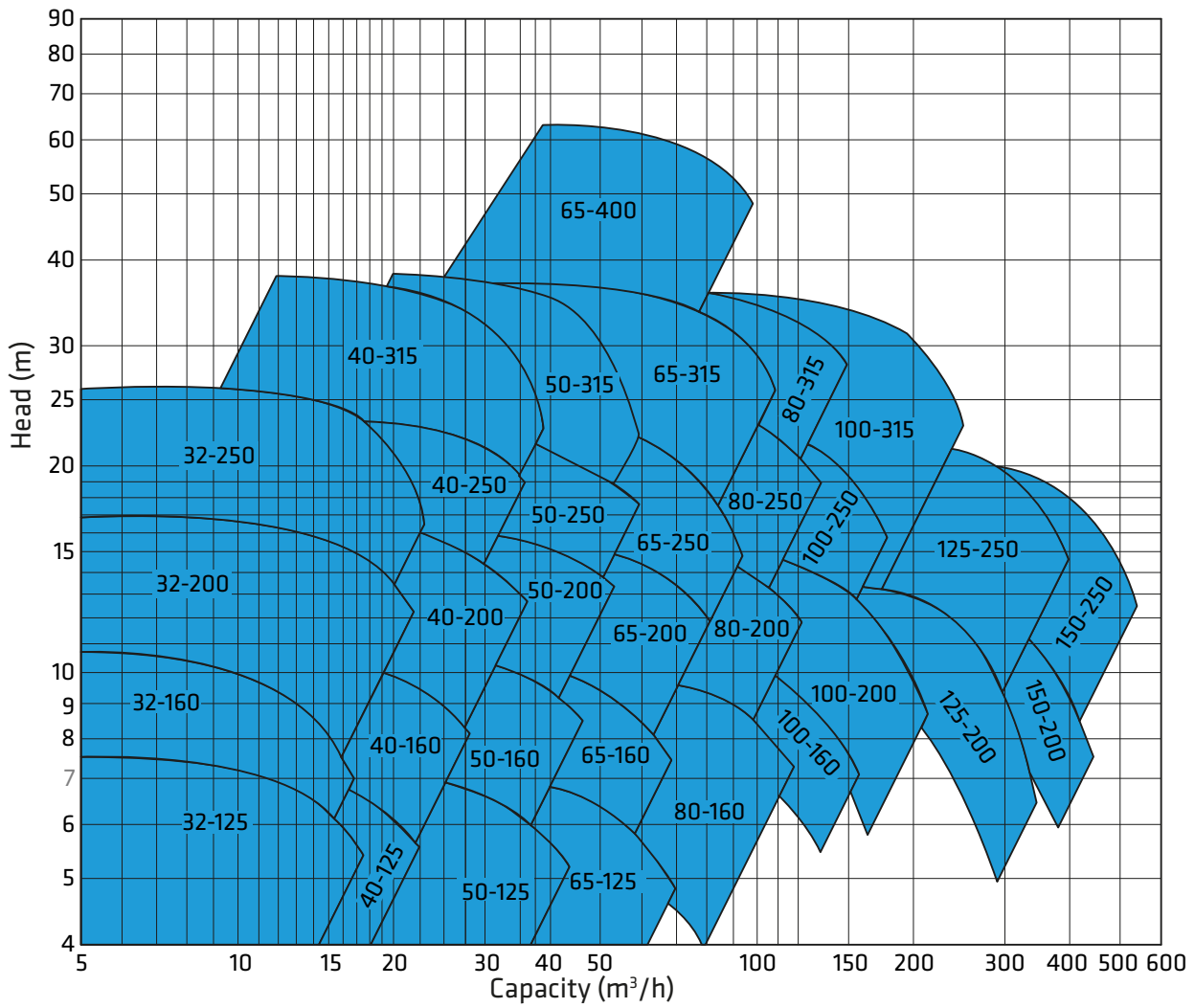
Discharge Nozzle (DN-mm) _____

Nominal Impeller Diameter (mm) _____

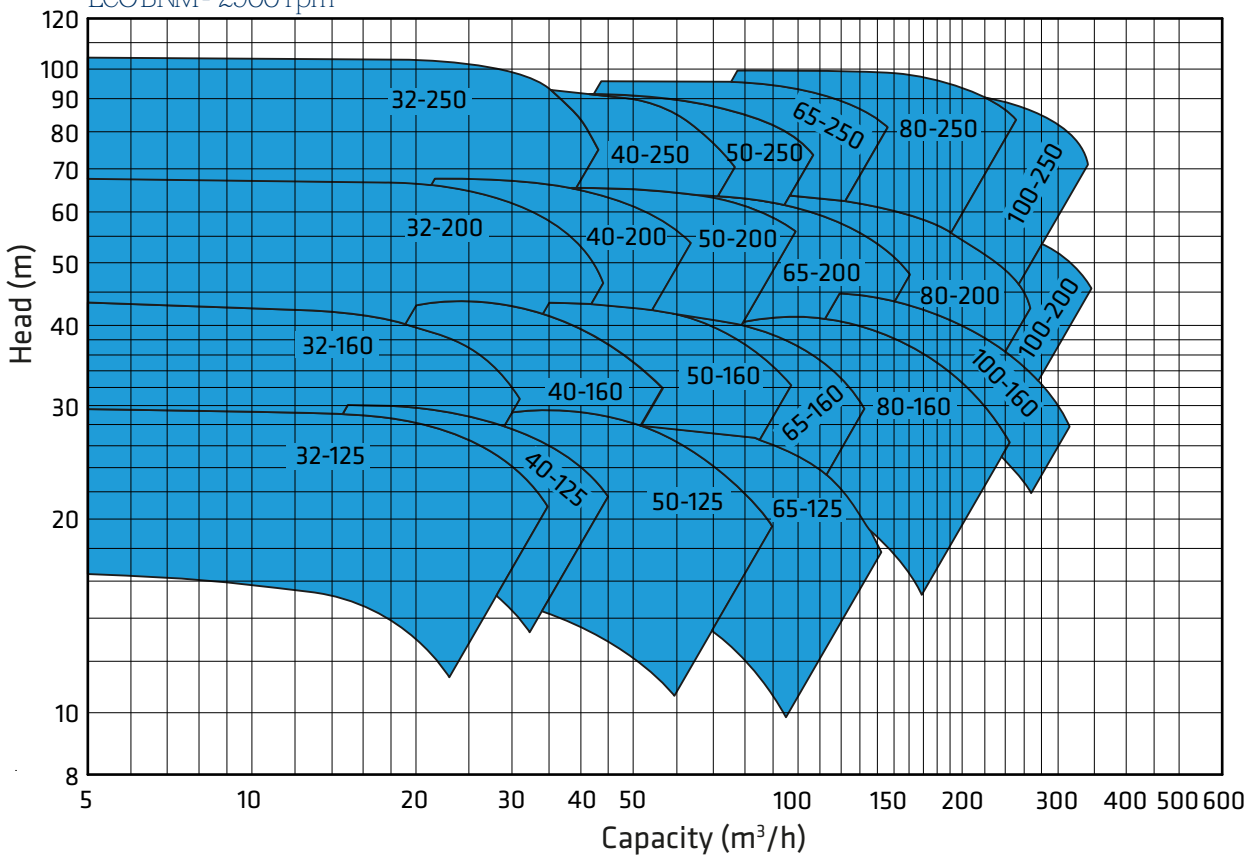
Special Application _____

Field Charts

ECOBNM- 1450 rpm



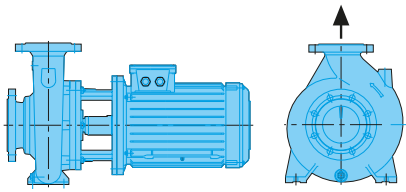
ECOBNM- 2900 rpm



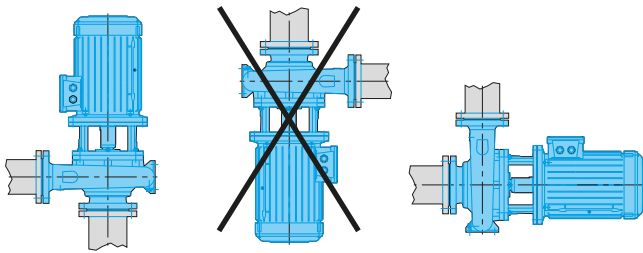
Installation Arrangements

ECOBNM

ECOBNM / ECOBNM-V pumps can be installed in different arrangements

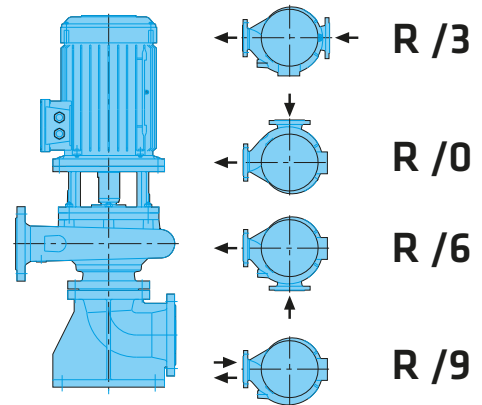


Horizontal installation on ground
Horizontal position on a base plate

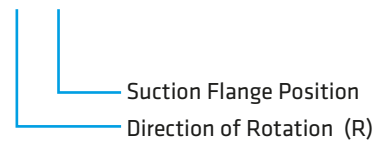


Installation on perpendicular pipes

- Between two perpendicular pipes in horizontal or vertical position. The axis of motor below the horizontal line is not admissible.



R/3



Direction of rotation viewed from driver end: R : Right

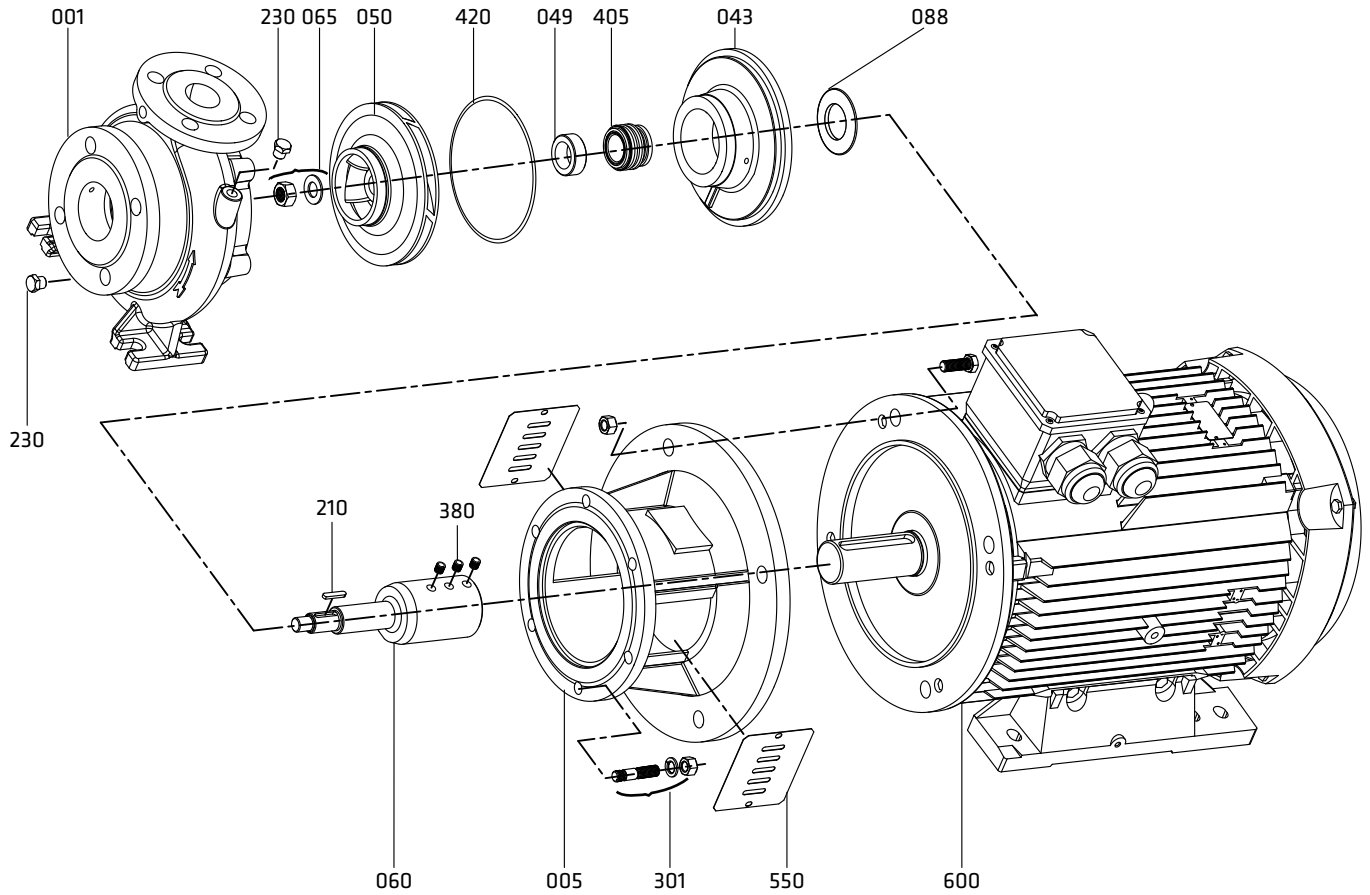
Vertical installation on ground

- Vertical position by means of a special suction elbow with foot.
- Standard manufacturing is as in the drawings above (R/3). Suction elbow position can be adjusted for different positions.

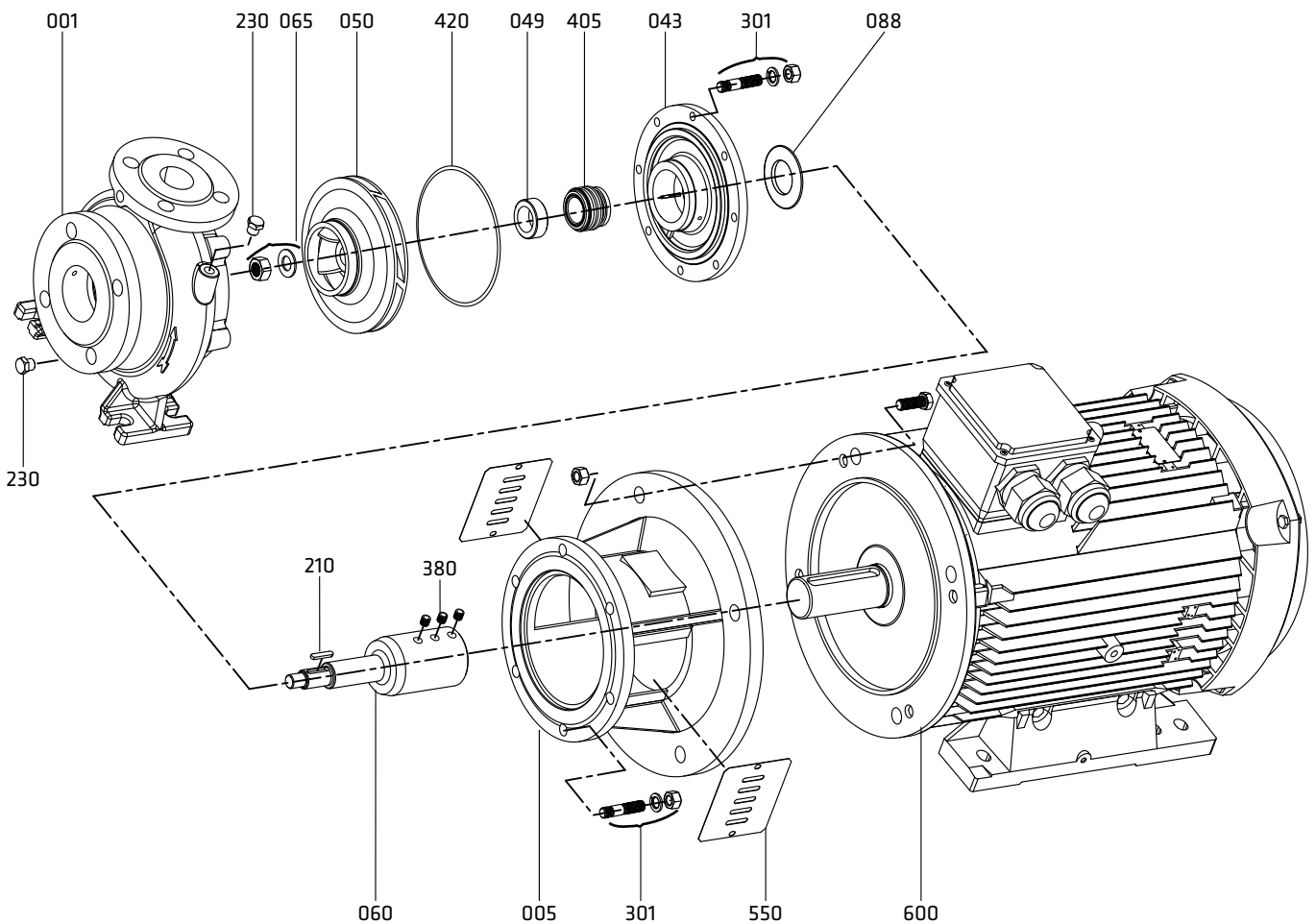
Assembly Drawings

ECOBNM

Form: F1 (Slide - fit shaft application)

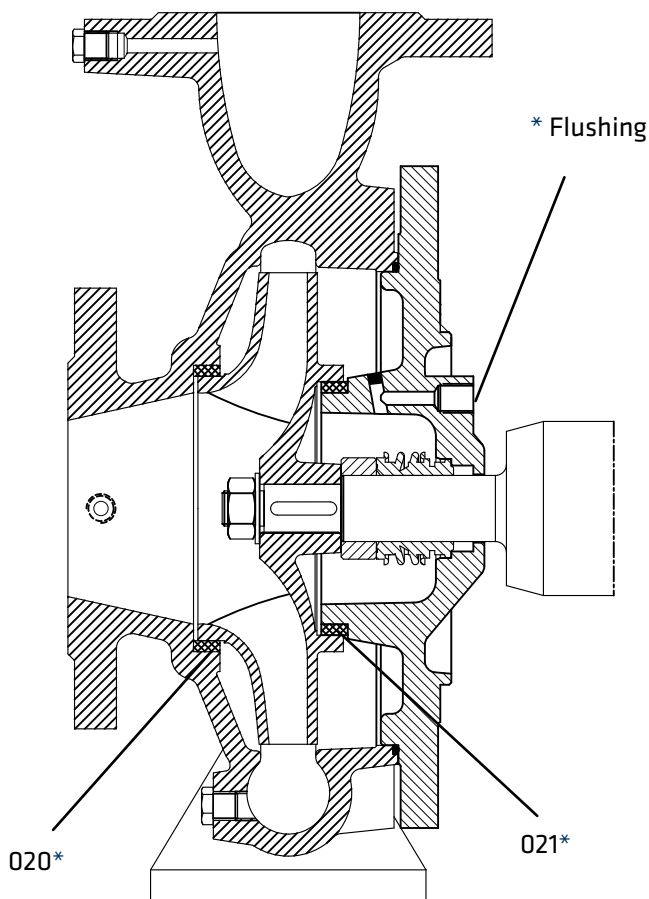
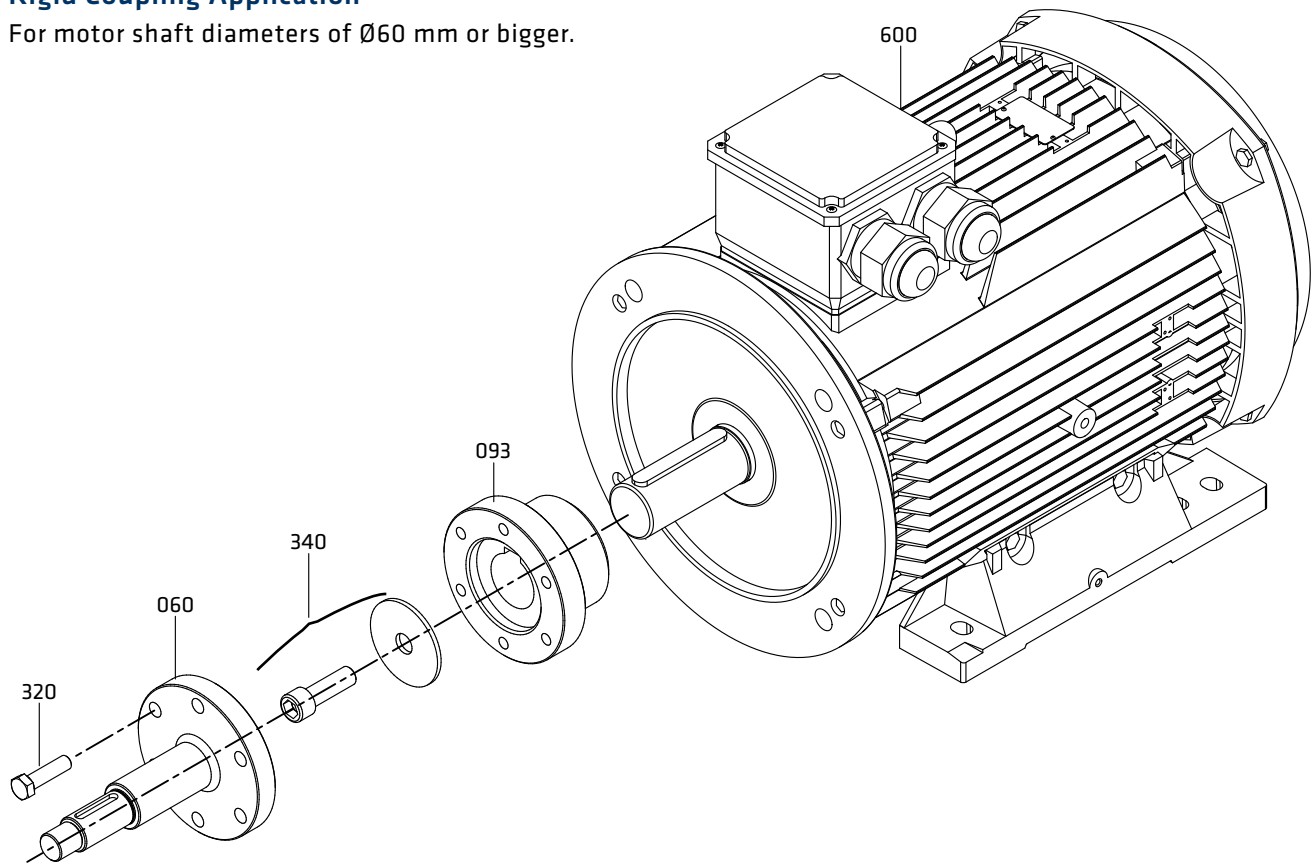


Form: F2 (Slide - fit shaft application)



Rigid Coupling Application

For motor shaft diameters of Ø60 mm or bigger.



Part List

- 001 Volute Casing
- 005 Motor Pedestal
- 020* Wear Ring (casing)
- 021* Wear Ring (seal cover)
- 043 Mechanical Seal Cover
- 049 Mechanical Seal Spacer Sleeve
- 050 Impeller
- 060 Shaft
- 065 Impeller Nut and Washer
- 088 Thrower
- 093 Rigid Coupling
- 210 Impeller Key
- 230 Screw
- 301 Stud, Washer and Nut
- 320 Screw
- 340 Allen Screw and Washer
- 380 Set Screw
- 405 Mechanical Seal
- 420 O-ring
- 550 Guard
- 600 Electric Motor

(*) Optional

Part List	10	30	35	20	60	6L	70	7L	8M	7D	7S	8N	80	4C	4A	40	80	8T	60	7L	7E	7D	
	0.6025	0.7040	0.7043	1.0619	1.4308	1.4309	1.4408	1.4409	1.4500	1.4517	1.4469	1.4317	1.4008	2.1050.01	2.0975.01	2.1096.01	1.4021	1.4021+QT	1.4301	1.4404	1.4460	1.4462	
Volute Casing	●	○	○	○	○	○	○	○	○	○	○	○	○	○									
Mechanical Seal Cover	●	○	○	○	○	○	○	○	○	○	○	○	○	○									
Impeller	●	○	○	○	○	○	○	○	○	○	○	○	○	○	○	○						○	
Shaft																	●	○	○	○			○
Bearing Housing	●	○	○	○	○	○	○																
Wear Ring	○	○	○	○	○	○	○	○	○	○	○	○	○	○	○	○							
Mech. Seal Spacer Sleeve																	●	○	○	○			○
Mechanical Seal (*)	EN 12756																						

(*) Optional :Depending on customer requirement or request different types and brands of mechanical seals are applicable.

● Standard manufacturing

NOTE: Depends on the request, different than above casting and shaft material can be supplied.

○ Optional

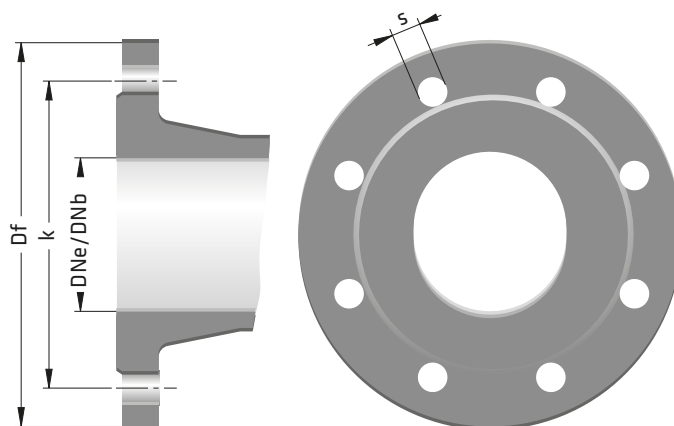
Material Equivalents

TANIM	DIN / EN	AISI / SAE / ASTM	
Cast Iron	0.6025	EN-GJL-250 (GG25)	A48 Class 40B
Nodular Cast Iron	0.7040	EN-GJS-400-15 (GGG40)	A536 60-40-18
Nodular Cast Iron	0.7043	EN-GJS-400-18-LT (GGG40.3)	A536 60-40-18
Cast Steel	1.0619	GP240GHGS-C25	A216 WCB
Chrome Nickel Cast Steel	1.4308	GX5CrNi19-10	A351 CF8
Chrome Nickel Cast Steel (low carbon)	1.4309	GX2CrNi19-11	A351 CF3
Chrome Nickel Molybdenum Cast Steel	1.4408	GX5CrNiMo19-11-2	A351 CF8M
Chrome Nickel Molybdenum Cast Steel (low carbon)	1.4409	GX2CrNiMo19-11-2	A351 CF3M
Austenitic Cast Steel	1.4500	GX7NiCrMoCuNb25-20	A351 CN7M
Austenitic - Ferritic Cast Steel (duplex)	1.4517	GX2CrNiMoCuN25-6-3-3	A890 CD4MCuN
Austenitic - Ferritic Cast Steel (super duplex)	1.4469	GX2CrNiMoN26-7-4	A890 CE3MN
Martenzitic Stainless Cast Steel	1.4317	GX4CrNi13-4	A352 CA6NM
Martenzitic Stainless Cast Steel	1.4008	GX7CrNiMo12-1	A217 CA15
Cast Bronze (tin alloy)	2.1050.01	G-CuSn10	B427 C90700
Cast Bronze (nickel alloy)	2.0975.01	G-CuAl10Ni	B148 C95500
Cast Bronze (Leaded)	2.1096.01	G-CuSn5ZnPb	B584 C83600
Chrome Steel	1.4021	X20Cr13	A276 Type 420
Chrome Steel(heat treated)	1.4021	X20Cr13	A276 Type 420+QT
Chrome Nickel Steel	1.4301	X5CrNi18-10	A276 Type 304
Chrome Nickel Steel (low carbon)	1.4404	X2CrNiMo17-12-2	A276 Type 316L
Duplex (austenitic-ferritic) Steel	1.4460	X3CrNiMoN27-5-2	AISI 329
Duplex (austenitic-ferritic) Steel	1.4462	X2CrNiMoN22-5-3	UNS S32205

Flange Dimensions

EN 1092 - 2	DNe/DNb	Suction & Discharge (PN 16)			
		Df	k	s	n
	32	140	100	19	4
	40	150	110	19	4
	50	165	125	19	4
	65	185	145	19	4
	80	200	160	19	8
	100	220	180	19	8
	125	250	210	19	8
	150	285	240	23	8
	200	340	295	23	12

“ n “ number of holes



The logo for BEDU POMPEN is centered in a white square on a dark blue background. It features the word "BEDU" in a large, bold, white sans-serif font, with "POMPEN" in a smaller, white sans-serif font below it, flanked by horizontal lines.

BEDU
POMPEN

made for your process

- Deskundig advies
- Een klantgerichte organisatie die zich aanpast aan de eisen en wensen van uw organisatie
- Innovatieve en maatwerkoplossingen
- Storingsdienst 24 uur per dag, 7 dagen in de week
- Technische dienst met uitgebreide testfaciliteiten, werkend vanuit onze eigen werkplaats of bij u op locatie
- Een snelle en passende oplossing voor al uw vraagstukken
- Breed assortiment vloeistofpompen
- Reparatie, onderhoud en revisie

Versie 2 - 2019

BEDU POMPEN B.V.
Poort van Midden Gelderland Rood 10
6666 LT HETEREN
Nederland
Telefoon +31 (0)88 4802 900
E-mail sales@bedu.eu

WWW.BEDU.NL

BEDU BELGIUM B.V.B.A.
Industriepark-West 75
9100 SINT-NIKLAAS
België
Telefoon +32 (0)3 80 87 980
E-mail sales@bedu.eu

WWW.BEDU.BE

