







# Self-Priming Centrifugal Pumps with open impeller



## Performance n ≈ 2900 rpm

3 ~	230 V 400 V		1 ~	230 V		P <sub>1</sub>		P <sub>2</sub>		Q										
	A	A		A	kW	kW	HP	m <sup>3</sup> /h	3,6		4,8	6	7,5	8,4	9,6	10,8	12	15	18	
A 40-110B/A B-A 40-110B/A	2,8	1,6	AM 40-110B/A B-AM 40-110B/A	4,5	0,85	0,55	0,75	H m	m <sup>3</sup> /h	12,9	12,4	11,8	11	10,4	9,8	9	8,3	6	3,4	
A 40-110A/B B-A 40-110A/B	3,7	2,2	AM 40-110A/A B-AM 40-110A/A	6	1,1	0,75	1		l/min	60	80	100	125	140	160	180	200	250	300	

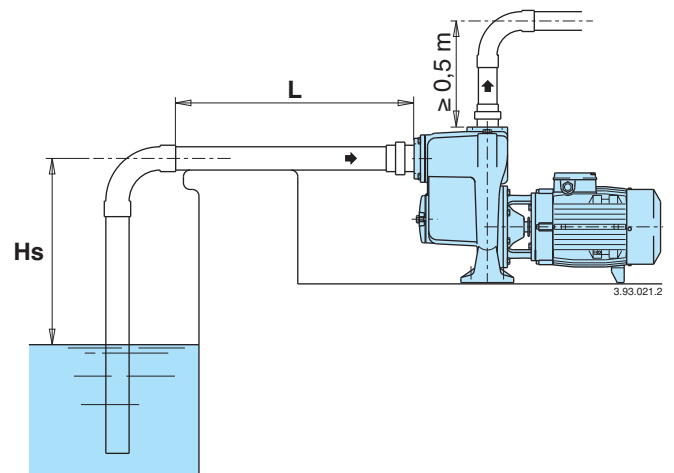
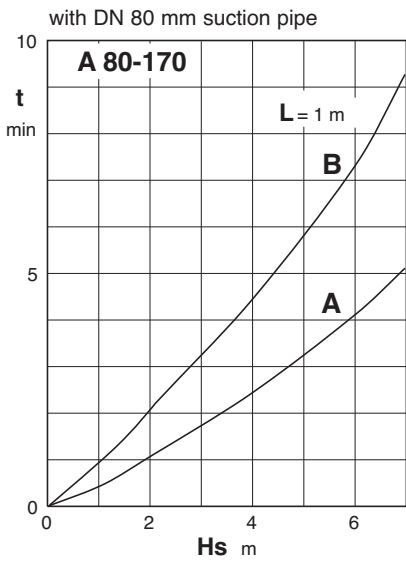
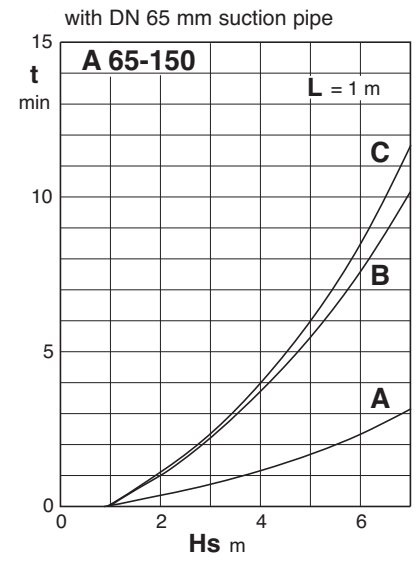
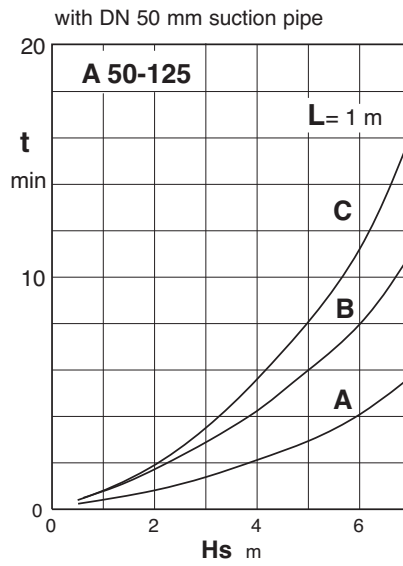
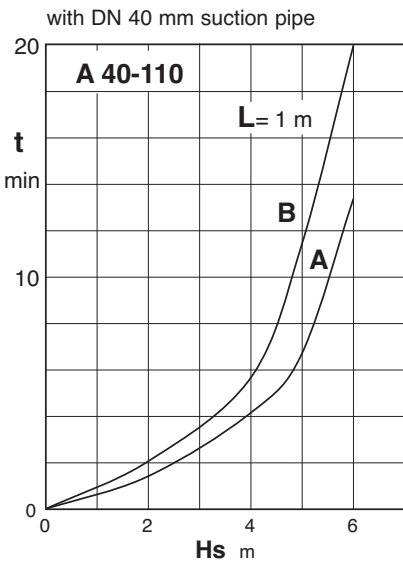
3 ~	230 V 400 V		1 ~	230 V		P <sub>1</sub>		P <sub>2</sub>		Q										
	A	A		A	kW	kW	HP	m <sup>3</sup> /h	6		9	12	15	18	21	24	27	30	33	
A 50-125CE B-A 50-125CE	3,3	1,9	AM 50-125CE B-AM 50-125CE	5,8	1,2	0,75	1	H m	m <sup>3</sup> /h	12,8	12,2	11,3	10	8,5	7	5,3	3,3			
A 50-125B/A B-A 50-125B/A	4,7	2,7	AM 50-125BE B-AM 50-125BE	7,4	1,6	1,1	1,5		l/min	100	150	200	250	300	350	400	450	500	550	
A 50-125A/A B-A 50-125A/A	7,5	4,3	AM 50-125AE B-AM 50-125AE	9,2	2,1	1,5	2		19,5	19	18	17	15,5	14	12,5	10,5	8	5		

3 ~	230 V 400 V		P <sub>2</sub>	P <sub>2</sub>		Q													
	A	A		kW	HP		m <sup>3</sup> /h	15	18	24	30	33	36	42	48	54	57		
A 65-150C/C B-A 65-150C/B	11,5 9,15	6,6 5,3	4	5,5	3	H m	m <sup>3</sup> /h	17,5	17	16	14	13	11,5	9	6,5				
A 65-150B/B B-A 65-150B/A	11,5	6,6					l/min	250	300	400	500	550	600	700	800	900	950		
A 65-150A/C B-A 65-150A/B	-	9,6					21,5	21	19,5	17,5	16,5	15,5	12,5	9,5	6,5				

3 ~	230 V 400 V		P <sub>2</sub>	P <sub>2</sub>		Q											
	A	A		kW	HP		m <sup>3</sup> /h	15	18	21	24	30	36	45	54	60	66
A 80-170B/A B-A 80-170B/A	-	10,9	7,5	10	7,5	H m	m <sup>3</sup> /h	27,3	27,3	27	26,8	25,7	24,4	22,1	19	16,7	13,7
A 80-170A/A B-A 80-170A/A	-	14,3					l/min	250	300	350	400	500	600	750	900	1000	1100

P<sub>1</sub>: Maximum power input. P<sub>2</sub>: Rated motor power output. H: Total head in m. B-A, B-AM = Bronze construction. Tolerances according to UNI EN ISO 9906:2012

### Self-priming capability



**Hs** (m) Suction lift.

**L** (m) Horizontal length of suction pipe above the water level.

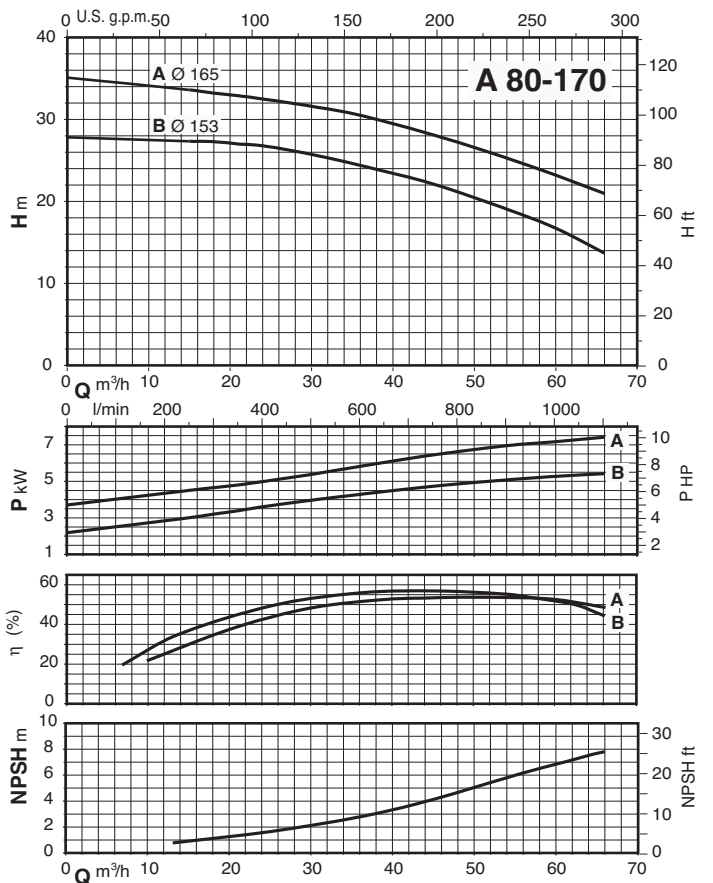
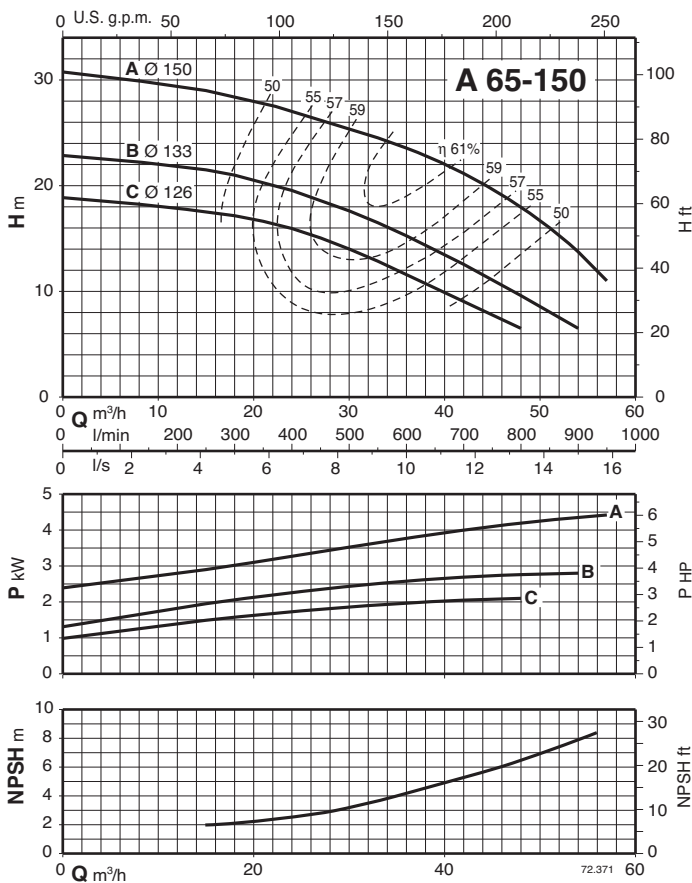
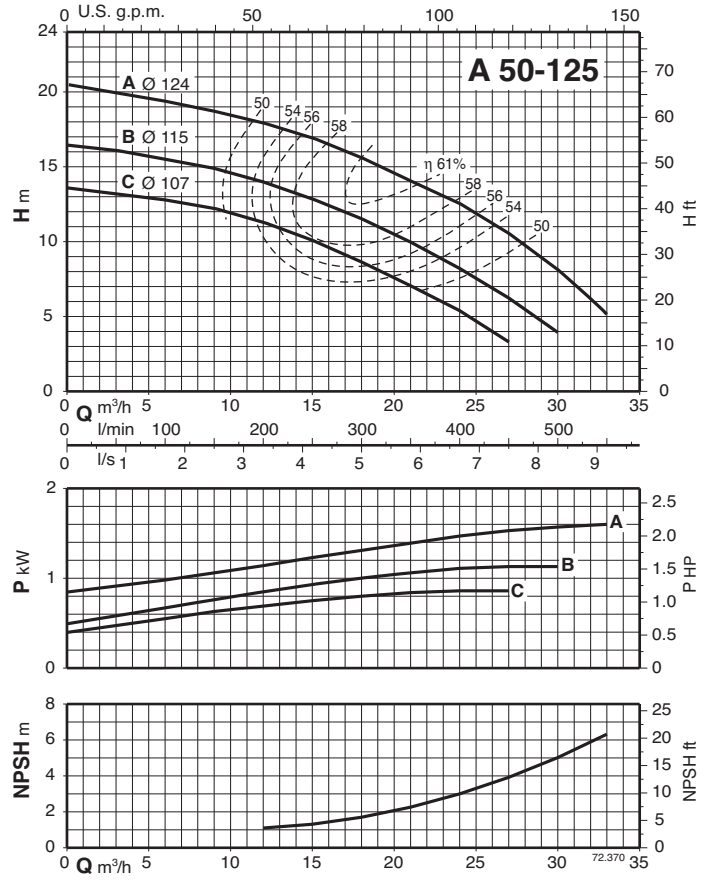
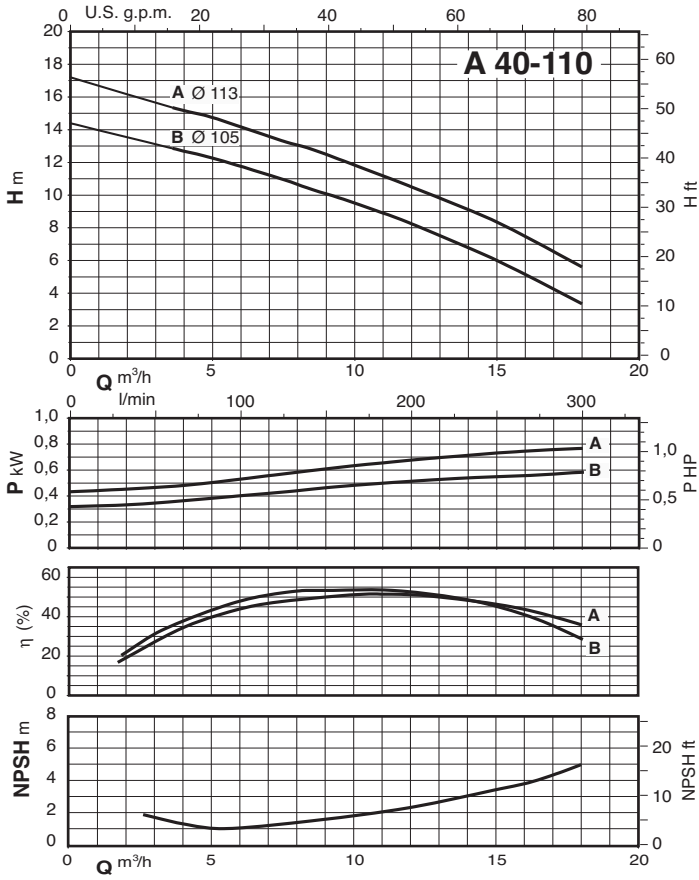
**t** (min) Self-priming time.



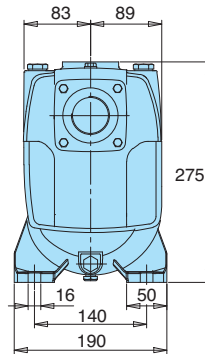
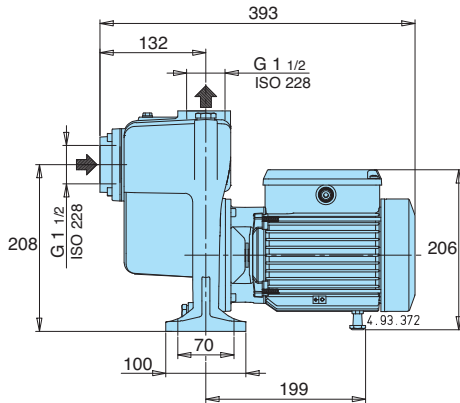
# Self-Priming Centrifugal Pumps with open impeller



## Characteristic curves $n \approx 2900$ rpm



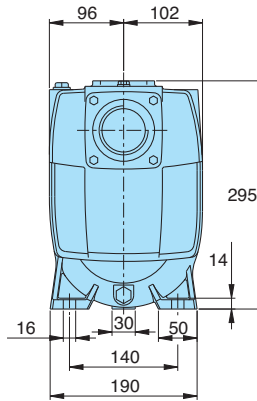
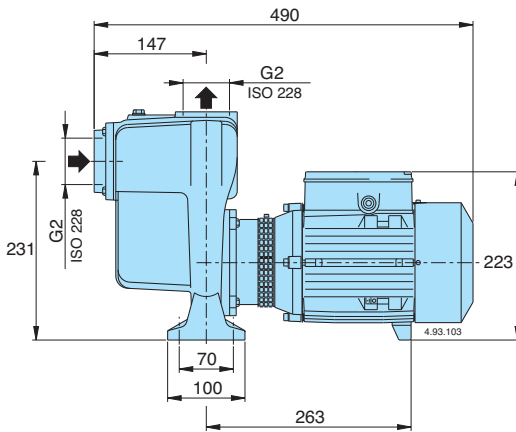
### Dimensions and weights



kg

A 40-110A/B	20,6
AM 40-110A/A	20,8
A 40-110B/A	18,9
AM 40-110B/A	19,8

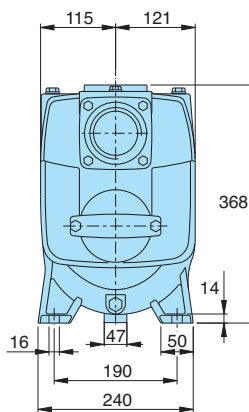
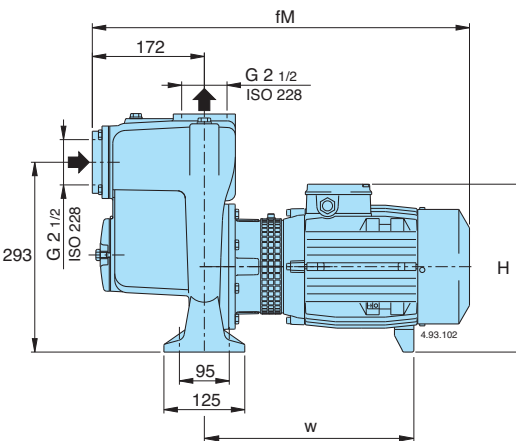
B-A 40-110A/B	23,3
B-AM 40-110A/A	23,5
B-A 40-110B/A	21,6
B-AM 40-110B/A	22,5



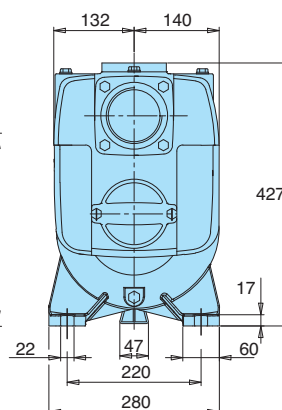
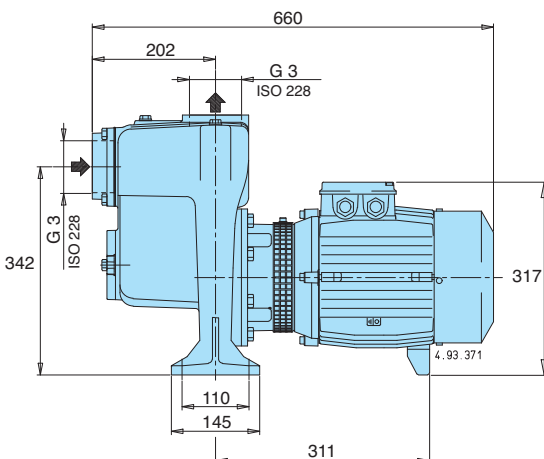
kg

A 50-125A/A	29,9
AM 50-125AE	31
A 50-125B/A	28
AM 50-125BE	29,1
A 50-125CE	26,9
AM 50-125CE	27,8

B-A 50-125A/A	33,6
B-AM 50-125AE	33,6
B-A 50-125B/A	31
B-AM 50-125BE	32,6
B-A 50-125CE	29,6
B-AM 50-125CE	30,6



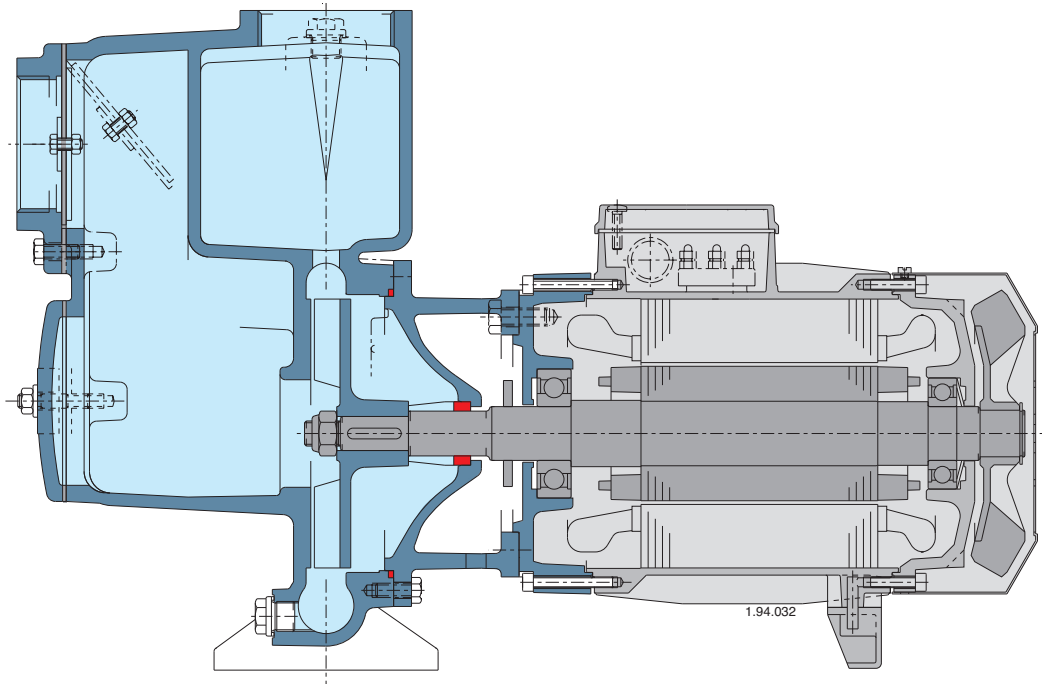
TYPE	mm			kg
	fM	H	w	
A 65-150C/C	595	270	324	56,7
B-A 65-150C/B	583	260	319	50,4
A 65-150B/B	595	270	324	57
B-A 65-150B/A	595	270	324	58,5
A 65-150A/C	595	270	324	58,5
B-A 65-150A/B	595	270	324	60



kg

A 80-170A/A	85,8
A 80-170B/A	80,3

B-A 80-170A/A	95,6
B-A 80-170B/A	90,1

**Features****Fast self priming**

An integrated non-return valve and the design of the pump casing ensures rapid priming, once the pump body has been filled with water.

**Flexible**

The option to choose between cast iron and bronze materials for the hydraulic parts in contact with the pumped liquid allows A series pumps to be selected for use with different types of liquids.

**Solid parts**

The open impeller allows for the passage of suspended solids in pumped liquid.

**Exclusive design**

An innovative, patented guard prevents contact with rotating parts, providing protection to the end user whilst allowing for inspection of the mechanical seal.

**Reliable**

The bearing and shaft are designed to ensure the reduction of the stress, providing high reliability under all operating conditions.

**BEDU**  
≡ POMPEN ≡

made for your process

- 
- 
- 
- 

- 
- 
- 
- 

BEDU POMPEN B.V.  
Poort van Midden Gelderland Rood 10  
6666 LT HETEREN  
Nederland  
Telefoon +31 (0)88 4802 900  
E-mail bedu. 

[WWW.BEDU.31](http://WWW.BEDU.31)

BEDU BELGIUM B.V.B.A.  
Industriepark-West 75  
9100 SINT-NIKLAAS  
België  
Telefoon +32 (0)3 80 87 980  
E-mail bedu. 

[WWW.BEDU.BE](http://WWW.BEDU.BE)

