

**BEDU**  
≡ P O M P E N ≡

\*5" Vertical multi-stage close coupled submersible or surface pumps



# MPSU

OPERATING INSTRUCTIONS

**made for your process**



THIS INSTRUCTION MANUAL IS THE PROPERTY OF BEDU POMPEN ANY REPRODUCTION, EVEN IF PARTIAL, IS FORBIDDEN

## SUMMARY

1. GENERAL INFORMATION
2. TECHNICAL DESCRIPTION
3. TECHNICAL FEATURES
4. SAFETY
5. TRANSPORTATION AND HANDLING
6. INSTALLATION
7. STARTUP AND OPERATION
8. MAINTENANCE
9. DISPOSAL
10. SPARE PARTS
11. ESIGNATION OF PARTS
12. TROUBLESHOOTING

Installation examples  
Drawing for dismantling and assembly  
Declaration of conformity

## 1. GENERAL INFORMATION

Before using the product carefully read the information contained in this instruction manual, the manual should be kept for future reference.

Italian is the original language of this instruction manual, this language is the reference language in case of discrepancies in the translations.

This manual is part of the essential safety requirement and must be retained until the product is finally de-commissioned.

The customer, in case of loss, can request a copy of the manual by contacting Bedu Pompen or their agent, specifying the type of product data shown on the label of the machine (see 2.3 Marking)

Any changes, alterations or modifications made to the product or part of it, not authorized by the manufacturer, will revoke the "CE declaration" and warranty.

This appliance should not be operated by children younger than 8 years, people with reduced physical, sensory or mental capacities, or inexperienced people who are not familiar with the product, unless they are given close supervision or instructions on how to use it safely and are made aware by a responsible person of the dangers its use might entail. Children must not play with the appliance.

It is the user's responsibility to clean and maintain the appliance. Children should never clean or maintain it unless they are given supervision.

Do not use in ponds, tanks or swimming pools or where people may enter or come into contact with the water.

Read carefully the installation section which sets forth:

- The maximum permissible structural working pressure (chapter 3.1).
- The type and section of the power cable (chapter 6.5).
- The type of electrical protection to be installed (chapter 6.5).

### 1.1. Symbols

To improve the understanding of the manual, below are indicated the symbols used with the related meaning.



Information and warnings that must be observed, otherwise there is a risk that the machine could damage or compromise personnel safety.



The failure to observe electrical information and warnings, could damage the machine or compromise personnel safety.



Notes and warnings for the correct management of the machine and its parts.



Operations that could be performed by the final user. After carefully reading of the instructions, is responsible for maintenance under normal conditions. They are authorized to affect standard maintenance operations.



Operations that must be performed by a qualified electrician. Specialized technician authorised to affect all electrical operations including maintenance. They are able to operate with in the presence of high voltages.



Operations that must be done performed by a qualified technician. Specialized technician able to install the device, under normal conditions, working during "maintenance", and allowed to do electrical and mechanical interventions for maintenance. They must be capable of executing simple electrical and mechanical operations related to the maintenance of the device.



Indicates that it is mandatory to use individual protection devices.



Operations that must be done with the device switched off and disconnected from the power supply.



Operations that must be done with the device switched on.

### 1.2. Manufacturer name and address

Bedu Pompen B.V.

Poort van Midden Gelderland Rood 10

6666 LT HETEREN, The Netherlands

### 1.3. Authorized operators

The product is intended for use by expert operators divided into end users and specialized technicians. (see the symbols above).



It's forbidden, for the end user, carry out operations which must be done only by specialized technicians. The manufacturer declines any liability for damage related to the non-compliance of this warning.

### 1.4. Warranty

For the product warranty refer to the general terms and conditions of sale.



The warranty covers only the replacement and the repair of the defective parts of the goods (recognized by the manufacturer).

The Warranty will not be considered in the following cases:

- Whenever the use of the device does not conform to the instructions and information described in this manual.
- In case of changes or variations made without authorization of the manufacturer.
- In case of technical interventions executed by a non-authorized personnel.
- In case of failing to carry out adequate maintenance.

### 1.5. Technical assistance

Any further information about the documentation, technical assistance and spare parts, shall be requested from: Bedu Pompen BV (paragraph 1.2).

## 2. TECHNICAL DESCRIPTION

5" Vertical multi-stage close coupled submersible or surface pumps.

External jacket in stainless steel AISI 304 and stages in Noryl.

The motor is cooled by the pumped water passing between the motor jacket and the external jacket.

Double shaft seal with interposed oil chamber.

### 2.1. Intended use

For clean water without abrasives or additives aggressive for the materials of the pump.

For domestic, civil and industrial applications.

For installation in confined space with minimum ventilation.

For installation in locations subject to risk of temporary flooding, the pump can be fully immersed.

For installation in areas exposed to water jetting.

When low-noise operation is required.

Water temperature up to 35 °C.

### 2.2. Improper use

The device is designed and built only for the purpose described in paragraph 2.1.

Improper use of the device is forbidden, as is use under conditions other than those indicated in these instructions.

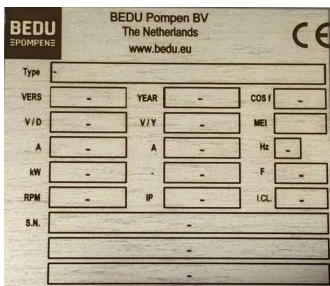
Improper use of the product reduces the safety and the efficiency of the device, Bedu shall not be responsible for failure or accident due to improper use.

Do not use in ponds, tanks or swimming pools or where people may enter or come into contact with the water.

### 2.3. Marking

The following picture is a copy of the name-plate that is on the external case of the pump.

Example plate pump



## 3. TECHNICAL FEATURES

### 3.1. Technical data

Dimensions and weight (see technical catalogue).

Nominal speed 2900/3450 rpm

Protection IP X8

Supply voltage / Frequency:

- up to 240V 1~ 50/60 Hz

- up to 480V 3~ 50/60 Hz

Check that the mains frequency and voltage correspond to the electrical characteristics shown on the indicator plate.

The electric data marked on the label are referred to the nominal power of the motor.

Sound pressure: < 70 dB (A).

Max. starts per hour: 30 at regular intervals.

Maximum permissible pressure in the pump casing: 80 m (8 bar).

### 3.2. Operating conditions

Installation also in not well ventilated and not location protected from the weather, with a maximum ambient temperature of 40 °C.

## 4. SAFETY

### 4.1. General provisions

Before using the product it is necessary to know all the safety indications.

Carefully read all operating instructions and the indications defined for the different steps: from transportation to disposal.

The specialized technicians must carefully comply with all applicable standards and laws, including local regulations of the country where the pump is sold.

The device has been built in conformity with the current safety laws. The improper use could damage people, animals and objects.

The manufacturer declines any liability in the event of damage due to improper use or use under conditions other than those indicated on the name-plate and in these instructions.

Follow the routine maintenance schedules and the promptly replace damaged parts, this will allow the device to work in the best conditions. Use only original spare parts provided from Bedu

Pompen or from an authorized distributor.

Don't remove or change the labels placed on the device.

Do not start the device in case of defects or damaged parts.

Maintenance operations, requiring full or partial disassembly of the device, must be done only after disconnection from the supply.

Pollution of the liquid could occur due to leakage of lubricants.

### 4.2. Safety devices

The device has an external case that prevents any contact with internal parts.

### 4.3. Residual risks

The appliance, designed for use, when used in-line with the design and safety rules, doesn't have residual risks.

### 4.4. Information and Safety signals

For this kind of product there will not be any signals on the product.

#### 4.5. Individual protection devices

During installation, starting and maintenance it is suggested to the authorized operators to consider the use of individual protection devices suitable for described activities.

During ordinary and extraordinary maintenance interventions, safety gloves are required.

Signal individual protection device

**HAND PROTECTION**

(gloves for protection against chemical, thermal and mechanical risks).



#### 5. TRANSPORTATION AND HANDLING

The product is packed to maintain the content intact. During transportation avoid to stack excessive weights. Ensure that during the transportation the box cannot move.

It is not necessary to use any special vehicle to transport the packaged device.

The transport vehicles must comply, for the weight and dimensions, with the chosen product (see technical catalogue dimensions and weights).

#### 5.1. Handling

Handle with care, the packages must not receive impacts.

Avoid to impact onto the package materials that could damage the pump.

If the weight exceeds 25 Kg the package must be handled by two person at the same time.

### 6. INSTALLATION

#### 6.1. Dimensions

For the dimensions of the device (see technical catalogue).

#### 6.2. Ambient requirements and installation site dimensions

The customer has to prepare the installation site in order to guarantee the right installation and in order to fulfill the device requirements (electrical supply, etc...). The place where the device will be installed must fulfill the requirements in the paragraph 3.2.

It's Absolutely forbidden to install the machine in an environment with potentially explosive atmosphere.

#### 6.3. Unpacking



Inspect the device in order to check any damages which may have occurred during transportation.

Package material, once removed, must be discarded/ recycled according to local laws of the destination country.

#### 6.4. Installation



**Never use the electric power cable to suspend the pump.**

The pump must be installed in the vertical position with the delivery connection facing upwards.

See installation examples, par. 12.1 fig. 1.

Place the pump as close as possible to the suction source.

Provide for the possibility of draining the pump without having to drain the entire system.

#### 6.4.1. Pipes

Ensure the insides of pipes are clean and unobstructed

before connection.

**ATTENTION: The pipes connected to the pump should be secured to rest clamps so that they do not transmit stress, strain or vibrations to the pump.**

Tighten the pipes or union coupling to the extent sufficient to ensure a tight seal.

Excessive torque may cause damage to the pump.

The pipe diameters must not be smaller than the pump connections.

#### 6.4.2. Suction pipe

If the suction pipe is longer than 10 m, use an internal pipe diameter larger than the pump suction connection. The suction pipe must be perfectly airtight and be led upwards in order to avoid air pockets.

With a pump located above the water level (suction lift operation, par. 12.1. fig. 1A) fit a foot valve with strainer which must always remain immersed.

If operating with flexible hoses use a reinforced spiral suction hose, in order to avoid the hose narrowing due to suction vacuum.

With the liquid level on the suction side above the pump (inflow under positive suction head, par. 12.1. fig. 1B) fit an inlet gate valve.

For suction from a storage tank fit an anti-backflow valve. Follow local specifications if increasing network pressure.

Install a strainer on the suction side of the pump to prevent foreign particles from entering the pump.

With servooperated shut-off devices, provide an air vessel or another protection device against surge of pressure in the case of sudden changes of flow rate.

#### 6.5. Electrical connection



Electrical connection must be carried out only by a qualified electrician in accordance with local regulations.

**Follow all safety standards.**

**The unit must be always earthed, also with a non-metallic delivery pipework.**



**ATTENTION:** in the case of water containing chloride (or salt water), the earthing (grounding) conductor is useful also to reduce the risk of galvanic corrosion due to electrolytic action, especially with non-metallic delivery pipe and safety rope.

Make sure the frequency and mains voltage correspond with the name plate data.

For use in swimming pools (not when people are in the pool), garden ponds and similar places, **a residual current device** with IAN not exceeding 30 mA must be installed in the supply circuit.

Install **a device for disconnection from the mains (switch)** with a contact separation of at least 3 mm on all poles.

When the water level is not under direct visible control, install a float switch or electrodes to protect the pump against dry running and to set the water levels to stop and automatically start the pump.

The pumps are supplied with power cable type H07-RN8-F type with section of cable not less than (cap.

## 12.3 TAB 1).

When extension cables are used, make sure the cable wires are of adequate size to avoid voltage drops. For connection of cables in a well, use thermo-shrinking sleeves or other methods for submersed cables.



**ATTENTION:** When the pump is fed by a frequency converter, the minimum frequency should not fall below 25 Hz and in any case the total head of the pump should never be lower than 2 m.

### 6.5.1. Single-phase pumps MPSUM



Supplied with incorporated capacitor and thermal protector, with plug.

Connect the plug to a socket with an earth lead.

The motor will stop if overheating is detected. When the windings cool down (after 2 to 4 minutes), the thermal protector enables re-starting.

Electrical diagram (par. 12.2)

### 6.5.2. Three-phase pumps MPSU



Install in the control box an overload-protective device in accordance curve type D with the name-plate current.

## 7. STARTUP AND OPERATION

### 7.1. Preliminary checks before start-up of the pump

Do not start-up the device in case of damaged parts.

### 7.2. First starting



**ATTENTION: never run the pump dry.** Start the pump after filling it completely with liquid.

**When the pump is located above the water level** (suction lift operation par. 12.1 fig. 1A) or with a positive suction head which is too low (less than 1 m) to open the non-return valve, fill the pump through the priming hole.

**When the liquid level on the suction side is above the pump** (inflow under positive suction head par. 12.1 fig. 1B), fill the pump by opening the suction gate valve slowly and completely, keeping the delivery gate valve open to release the air.



**With a three-phase power supply make sure the direction of rotation is correct.**

To check this close the discharge valve and measure the closed valve pressure with a pressure gauge mounted between the valve and the pump discharge, or visually check the flow-rate.

Switch off power, invert the connections of two phases on the control panel, re-start and check the pressure or flow rate capacity again.

The correct direction of rotation will provide a considerably greater and easily distinguishable pressure and delivery capacity.

Check that the pump works within its field of performance and that the absorbed current shown on the name-plate is not exceeded. Otherwise adjust the delivery gate valve or the setting of any pressure switches.

If a priming loss occurs (interruption of delivery flow) or if a pressure oscillation is indicated by the pressure gauge, make sure all the suction pipe couplings are perfectly sealed and tighten the two sealed plugs on the pump casing.



**Never run the pump for more than five minutes with a closed gate valve.**

Prolonged operation without a change of water in the pump causes dangerous increases of temperature and pressure.

### 7.2.1. Construction with float switch:

The float switch, connected directly to the pump, controls starting and stopping.

Check that the float switch is free from any obstacle. If necessary, adjust the float-switch cable.

Excessive cable length may cause the motor to overheat and the pump to run dry.

### 7.2.2. Construction without float switch:

If there is no air vent valve in systems with a check valve, the minimum immersion depth at first start-up must be 300 mm.

An air vent valve must be used in systems with an immersed delivery outlet.

Do not start the pump with a completely closed shutoff gate valve.

Never take the pump out of the water while the pump is still operating.

### 7.3. Switch off of the pump



The appliance must be switch off every time there are faults. (see troubleshooting).

The product is designed for a continuous duty, the switch off is performed by disconnecting the power supply by means the expected disconnecting devices. (see paragraph "6.5 Electrical connection").

## 8. MAINTENANCE

Before any operations it's necessary to disconnect the power supply.

If required ask to an electrician or to an expert technician.



Every maintenance operations, cleaning or repairation executed with the electrical system under voltage, it could cause serious injuries to people.



A possible replacement of the cable or the level switch must be carried out by an authorised Bedu service workshop.



If the supply cord is damaged, it must be replaced by the manufacturer, its service agent or similarly qualified persons in order to avoid a hazard.

In case of extraordinary maintenance, or maintenance operations that require part-removing, the operator must be a qualified technician able to read schemes and drawings.

It is suggested to register all maintenance operation executed.



During maintenance keep particular attention in order to avoid the introduction of small external parts, that could compromise the device safety. It is forbidden to execute any operations with the direct use of hands. Use water-resistant, anti-cut gloves to disassemble and clean the filter or in other particular cases.



During maintenance operations external personnel is not allowed.

Maintenance operations that are not described in this manual must be made only by special personnel authorized by Bedu Pompen BV

For further technical information regarding the use or the maintenance of the device, contact Bedu.

## Routine maintenance



Before every maintenance operations disconnect the power supply and make sure that the device could not accidentally operate.



In the case of water containing chloride (chlorine, sea water), the risk of corrosion increases in stagnant water conditions (also with an increase in temperature and decrease of pH value). In these cases, **if the pump remains inactive for long periods, it must be emptied completely and, preferably, dried.**



For good measure, as in the case of **temporary operation with dirty liquids**, run the pump briefly with clean water to remove deposits.

**When the pump remains inactive it must be emptied completely if there is a risk of freezing .**

Before restarting the unit, check that the shaft is not jammed and fill the pump casing completely with liquid (par. 7).

## 8.2. Dismantling the system

Close the suction and delivery gate valves and drain the pump casing before dismantling the pump.

## 9. DISPOSAL



The final disposal of the device must be done by specialized company.

Make sure the specialized company follows the classification of the material parts for the separation. Observe the local regulations and dispose the device accordingly with the international rules for environment protection.

## 10. SPARE PARTS

### 10.1. Spare-parts request

When ordering spare parts, please quote their designation, position number in the cross section drawing and rated data from the pump name plate (type, date and serial number).

The spare parts request shall be sent to Bedu Pompen BV by phone, fax, e-mail.

## 11. ESIGNATION OF PARTS

Nr.	Designation
12.01	Delivery casing
12.20	Screw
12.46	Plug
12.47	O-ring
14.02	External jacket
14.04	Plug
14.05	O-ring
14.20	O-ring
25.01	First stage casing
25.02	Stage casing
25.20	Preload ring stages
25.22	O-ring
25.24	Support ring preload
25.26	Washer
25.28	Screw
25.30	Circlip
25.32	Screw - Washer
25.34	Screw
28.00	Impeller
28.04	Impeller nut
28.08	Washer
34.03	Oil chamber cover
34.08	Plug
34.09	O-ring
34.12	Screw
34.13	O-ring
36.00	Mechanical seal
36.51	Retaining ring, split
36.52	Shoulder ring
61.00	Base
61.02	Screw
61.10	O-ring
70.00	Motor cover, pump side
70.08	O-ring
70.09	O-ring
70.11	Cable gland ring (float switch)
70.12	Cable gland rubber ring
70.13	Washer
70.16	Cable gland
70.20	Screw
70.23	O-ring
70.32	Washer (float switch)
70.33	Cable gland (float switch)
72.00	Upper mechanical seal
72.02	Circlip
73.00	Pump side bearing
76.01	Motor jacket with winding
76.12	Overload protection
76.15	Plug
76.60	Float switch
76.62	Jacket cover
78.00	Shaft with rotor packet
81.00	Bearing
82.02	Screw
82.03	O-ring
82.04	Compensating spring
82.05	Screw
82.07	Screw
82.12	O-ring
82.30	Plug
94.00	Capacitor
96.00	Cable
96.09	Screw
96.13	Gland for floating switch cable
(1) Oil	

Changes reserved.



## 12. TROUBLESHOOTING



**WARNING:** Turn off the power supply before performing any operations.

Do not allow the pump or motor to run when dry even for a short period.

Strictly follow the user instructions and if necessary contact an authorised service centre.

GB

PROBLEM	PROBABLE CAUSES	POSSIBLE REMEDIES
1) The motor does not start	1a) Unsuitable power supply 1b) Incorrect electrical connections 1c) Engine overload protective device cuts in. 1d) Blown or defective fuses 1e) Shaft blocked 1f) If the above causes have already been checked, the engine may be malfunctioning	1a) Check that the mains frequency and voltage correspond to the electrical characteristics shown on the indicator plate. Make sure that the cross section of the cable is compatible with the length of cable and with the motor power. 1b) Connect the power supply cable to the terminal board correctly. Check that the thermal overload protection is set correctly (see data on the engine indicator plate) and make sure that the fuseboard upline of the engine has been properly connected 1c) Check the power supply and make sure that the pump shaft is turning freely. Check that the thermal overload protection has been set correctly (see engine indicator plate) 1d) Replace the fuses, check the electric power supply and points a) and c) 1e) Remove the cause of blockage as indicated in the "Blocked pump" instruction booklet 1f) Repair or replace the engine by applying to an authorised service centre
2) Pump blocked	2a) Presence of solid bodies in the pump rotor 2b) Bearings siezed	2a) If possible, dismantle the pump casing and remove any solid foreign bodies inside the rotor, if necessary contact an authorised service centre 2b) If the bearings are damaged replace them or if necessary contact an authorised service centre
3) The pump functions but no water comes out	3a) Possible infiltration of air from suction tube connections, drain plugs or filling of pump or from the gaskets of the suction pipe 3b) Foot valve blocked or suction pipe not fully immersed in liquid 3c) Suction filter blocked	3a) Check which part is not tight and seal the connection adequately 3b) Clean or replace the bottom valve and use a suction pipe suitable for the application 3c) Clean the filter, if necessary, replace it. See point 2a) also.
4) Insufficient flow	4a) Pipes and accessories with diameter too small causing excessive loss of head 4b) Presence of deposits or solid bodies in the internal passages of the rotor 4c) Rotor deteriorated 4d) Worn rotor and pump case 4e) Excessive viscosity of the liquid pumped (if other than water) 4f) Incorrect direction of rotation 4g) Suction head excessive in relation to the suction capacity of pump 4h) Suction pipe too long	4a) Use pipes and accessories suitable for the specific application 4b) Clean the rotor and install a suction filter to prevent other foreign bodies from entering 4c) Replace the rotor, if necessary, contact an authorised service centre 4d) Replace the rotor and the pump casing 4e) The pump is unsuitable 4f) Invert the electrical connections on the terminal board or control panel 4g) Try to close the feeder gate partially and/or reduce the difference in level of the pump and the liquid being aspirated 4h) Bring the pump closer to the suction tank so as to use a shorter pipe. If necessary use a pipe of a wider diameter
5) Noise and vibrations from the pump	5a) Rotating part unbalanced 5b) Worn bearings 5c) Pump and pipes not firmly attached 5d) Flow too strong for the diameter of the delivery pipe 5e) Functioning in cavitation 5f) Unbalanced power supply 5g) Incorrect alignment of pump-motor unit	5a) Check that no solid bodies are obstructing the rotor 5b) Replace the bearings 5c) Anchor the delivery and suction piping as needed 5d) Use bigger diameters or reduce the pump flow 5e) Reduce the flow by adjusting the feeder gate and/or using pipes with a bigger internal diameter. See point 4g) too 5f) Check that the mains voltage is right 5g) If necessary, the unit must be re-aligned
6) Leakage from the mechanical seal	6a) The mechanical seal has functioned when dry or has stuck 6b) Mechanical seal scored by presence of abrasive parts in the liquid pumped 6c) Mechanical seal unsuitable for the type of application	In cases 6a), 6b) and 6c), replace the seal, if necessary contact an authorised service centre 6a) Make sure that the pump casing (and the suction pipe if the pump is not self-priming) are full of liquid and that all the air has been expelled. See point 5 e) too. 6b) Install a suction filter and use a seal suited to the characteristics of the liquid being pumped. 6c) Choose a seal with characteristics suitable for the specific application



12.1. Installation examples

Fig. 1B  
Positive suction head operation

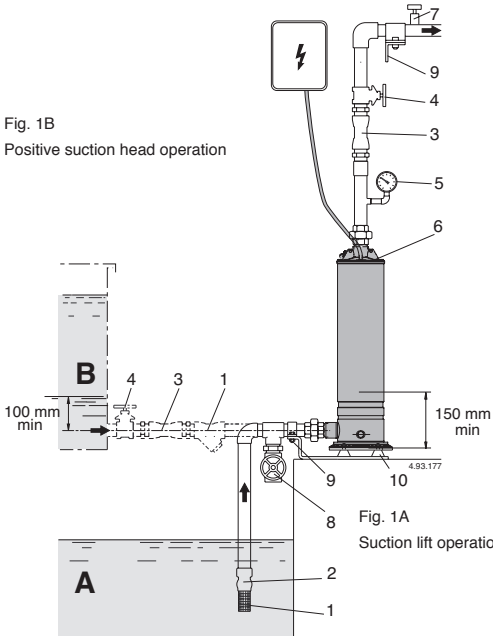
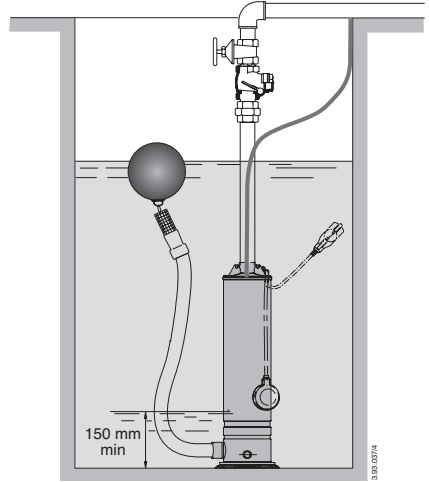


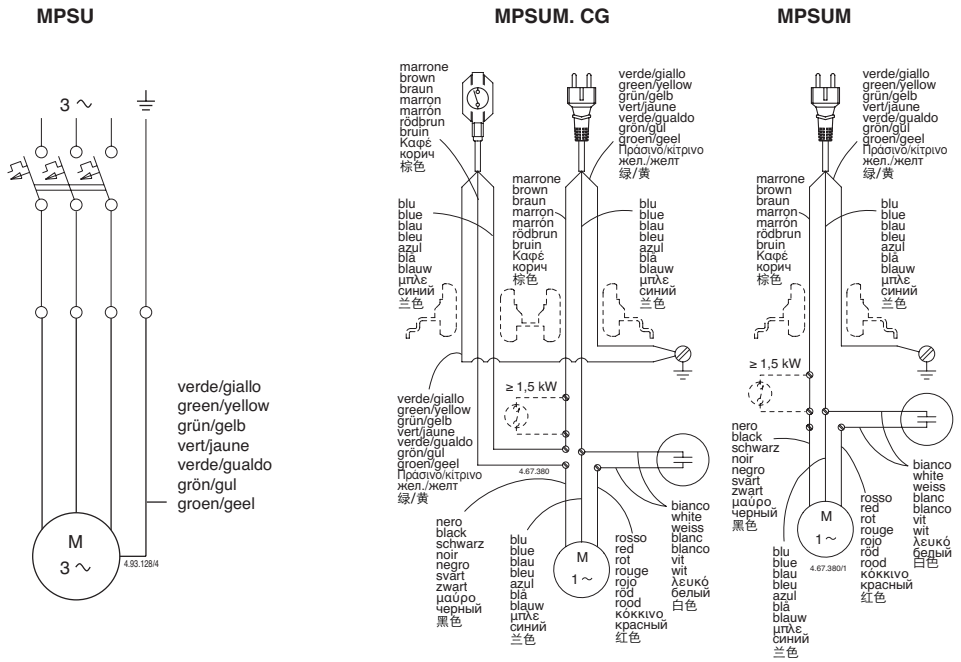
Fig. 1A  
Suction lift operation



1	Strainer
2	Foot valve
3	Check valve
4	Gate valve
5	Pressure gauge
6	Filling and air vent
7	Air vent
8	Draining
9	Supports and clamps for pipelines
10	Vibration dampers

12.2.

Electrical diagram



12.3.

Minimum cross-sectional area of conductors

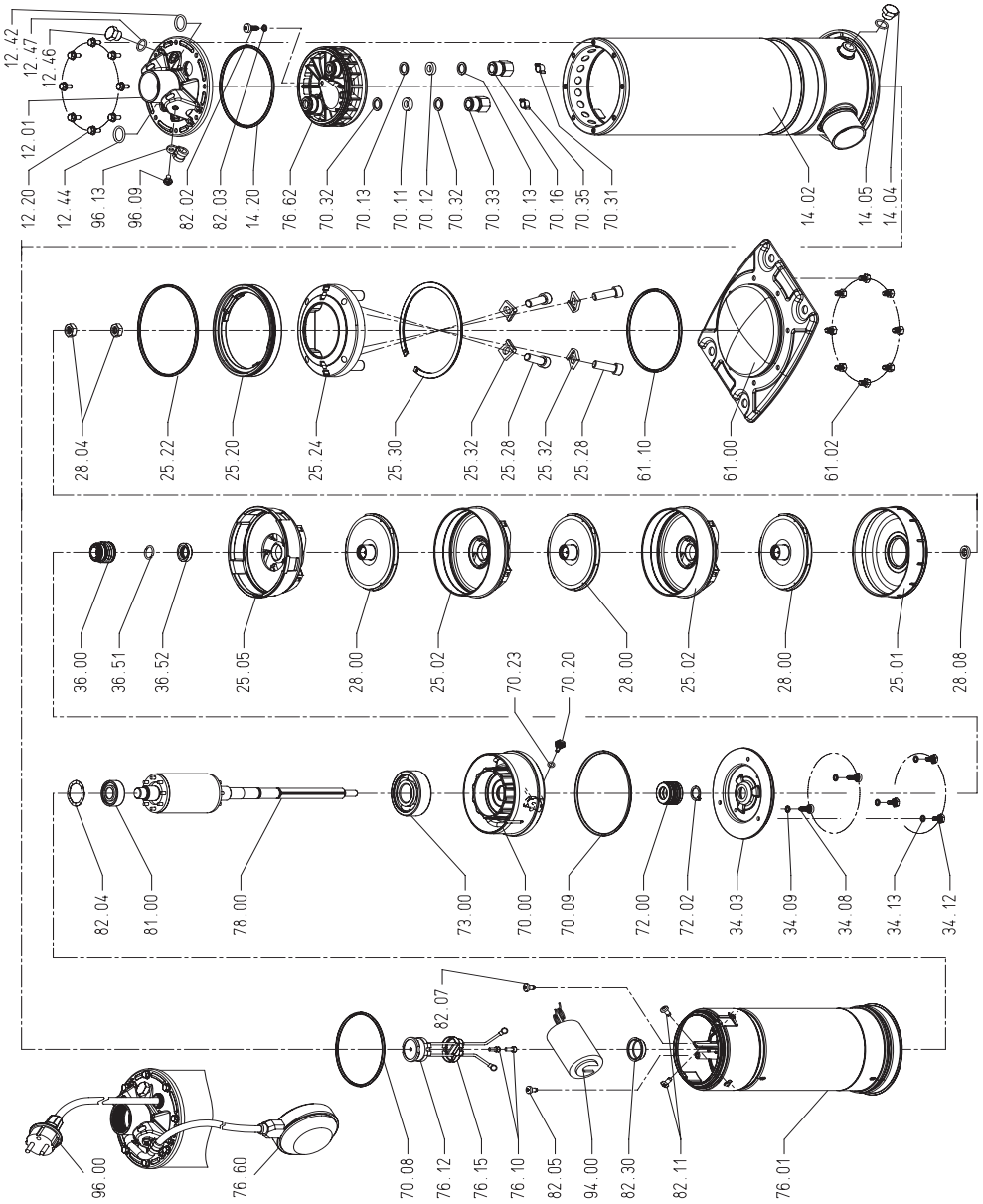
Tab. 1

TAB 1IEC 60335-1

Rated current of appliance Bemessungsstrom des Gerätes	Nominal cross-sectional area Nennquerschnitt
A	mm <sup>2</sup>
>3 + ≤6	0,75
>6 + ≤10	1,0
>10 + ≤16	1,5
>16 + ≤25	2,5
>25 + ≤32	4
>32 + ≤40	6
>40 + ≤63	10

12.4.

Drawing for dismantling and assembly





# EC - Declaration of Conformity

## Manufacturer Details

### Tradename

Bedu Pompen BV

### Address

Poort van Midden Gelderland Rood 10, 6666 LT, Heteren, Netherlands

## Product Details

### Product Name

Centrifugal pumps

### Model (+series) Name

MPSU series

## Applicable Standards Details

### Directives

2006/42/EC (Machinery Directive)  
2014/35/EU (Low Voltage Directive)  
2014/30/EU (Electromagnetic compatibility)

### Standards

EN-ISO 12100:2010  
EN-IEC 60204-1:2006  
EN 809+A1/C1

## Additional information

No further details.

## Declaration

We hereby declare under our sole responsibility that the product(s) mentioned above to which this declaration relates complies with the above mentioned standards and Directives.

Business Unit Manager: Issued Date:

01/10 2014

## BEDU Pompen BV

Poort van Midden Gelderland Rood 10  
6666 LT Heteren

Tel : +31 (0)88 - 4802 900

Fax : +31 (0)88 - 4802 901

E-mail : info@bedu.nl

Website : www.bedu.eu

Marco Breunissen

Signature of representative(s)



The logo consists of the word "BEDU" in a large, bold, white sans-serif font, with "POMPEN" in a smaller, white sans-serif font below it. The text is centered within a dark teal square, which is itself centered within a white square border.

**BEDU**  
POMPEN

## made for your process

- Expert advice
- A customer-oriented organization that adapts to the requirements and wishes of your organization
- Innovative and customized solutions
- Breakdownservice, 24 hours a day, 7 days a week
- Technical service with extensive test facilities, working from our own workplace or at your location
- A fast and appropriate solution for all your issues
- Wide range of liquid pumps
- Repair, maintenance and revision

BEDU POMPEN B.V.  
Poort van Midden Gelderland Rood 10  
6666 LT HETEREN  
Nederland  
Telefoon +31 (0)88 4802 900  
E-mail [sales@bedu.eu](mailto:sales@bedu.eu)

[WWW.BEDU.NL](http://WWW.BEDU.NL)

BEDU BELGIUM B.V.B.A.  
Industriepark-West 75  
9100 SINT-NIKLAAS  
België  
Telefoon +32 (0)3 80 87 980  
E-mail [sales@bedu.eu](mailto:sales@bedu.eu)

[WWW.BEDU.BE](http://WWW.BEDU.BE)

