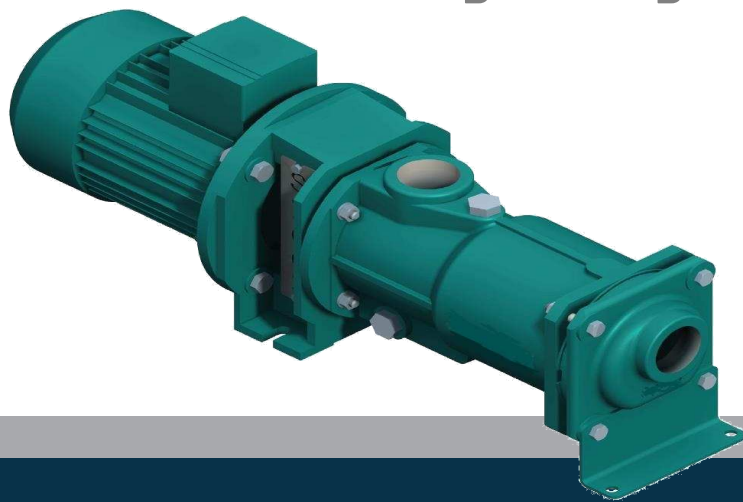


**BEDU**  
≡ POMPEN ≡

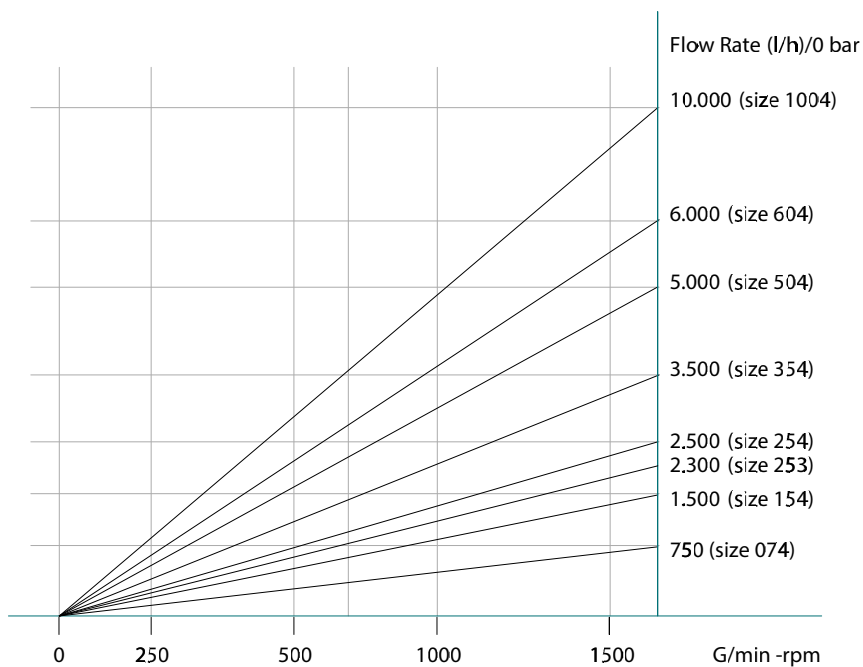
## **Industrial pump Range FM**

Progressing cavity pump



**made for your process**

## THEORETICAL PERFORMANCES



## Range “FM”

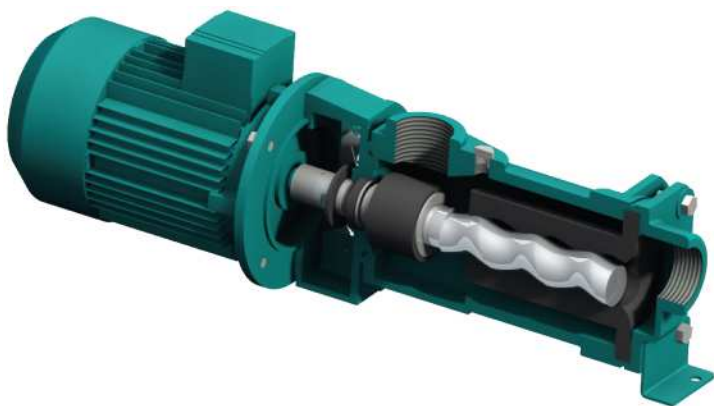
Compact and versatile, the FM range brings you all the advantages of progressing cavity pumps, in a small, compact and economical design.

### Tested and proven in many applications:

- Wide range of flows, 20 up to 1 LPH
- High performance combined with efficient design
- Self priming ideal for suction lifts
- Lightweight and compact
- Low noise emission
- Non-pulsating reliable flow
- Extremely simple maintenance
- Low cost of ownership
- Different material combinations available to suit applications

### Applications:

- Waste water treat (Polymers, waste, sludge, flocculants)
- Chemical industry (detergents, varnish, paints, inks, soaps)
- Buildings (Cements, Bentonite)
- Agrofood industry (Creams, emulsions, wine, olive oils)
- Energy (Hydrocarbons, coolant and cutting oils, acids)
- Drainage applications
- Sampling duties
- Abrasive slurries
- Ideal for OEM pump applications



The logo for BEDU POMPEN is centered in a white square. It features the word "BEDU" in a large, bold, white sans-serif font. Below it, the word "POMPEN" is written in a smaller, white sans-serif font, flanked by two horizontal lines on each side.

**BEDU**  
POMPEN

## made for your process

- Expert advice
- A customer-oriented organization that adapts to the requirements and wishes of your organization
- Innovative and customized solutions
- Breakdownservice, 24 hours a day, 7 days a week
- Technical service with extensive test facilities, working from our own workplace or at your location
- A fast and appropriate solution for all your issues
- Wide range of liquid pumps
- Repair, maintenance and revision

BEDU POMPEN B.V.  
Poort van Midden Gelderland Rood 10  
6666 LT HETEREN  
Nederland  
Telefoon +31 (0)88 4802 900  
E-mail [sales@bedu.eu](mailto:sales@bedu.eu)

[WWW.BEDU.NL](http://WWW.BEDU.NL)

BEDU BELGIUM B.V.B.A.  
Industriepark-West 75  
9100 SINT-NIKLAAS  
België  
Telefoon +32 (0)3 80 87 980  
E-mail [sales@bedu.eu](mailto:sales@bedu.eu)

[WWW.BEDU.BE](http://WWW.BEDU.BE)

