

BEDU
≡ POMPEN ≡

Industrial pump Range G

Progressing cavity pump



made for your process



PROGRESSING CAVITY PUMPS:

Founded in 1981, Bedu has developed an extensive range of high quality and cost effective progressing cavity pumps. By being able to provide state-of-the-art-market-driven products, flexibility in providing customer-focused solutions, and unparalleled levels of service, we are experiencing rapid throughput the globe.

G Range:

Peculiar construction for an easier handling of very viscous matters. A wide diameter of the screw feeder and the enlarged dimensions of the hopper give you an extremely high level of performance. Effectiveness can be considered really higher than a traditional open throat style pump. The range can be produced both in block coupling version (max 6 m pedestal).

Features:

- Stable pump - low pulsation
- Delivery direction reversible
- Self-priming rate high
- ATEX version available
- Compact design and cost-efficient
- Easy maintenance and service
- Various rotor/stator geometries available
- Products with solids can be conveyed gently without damage.

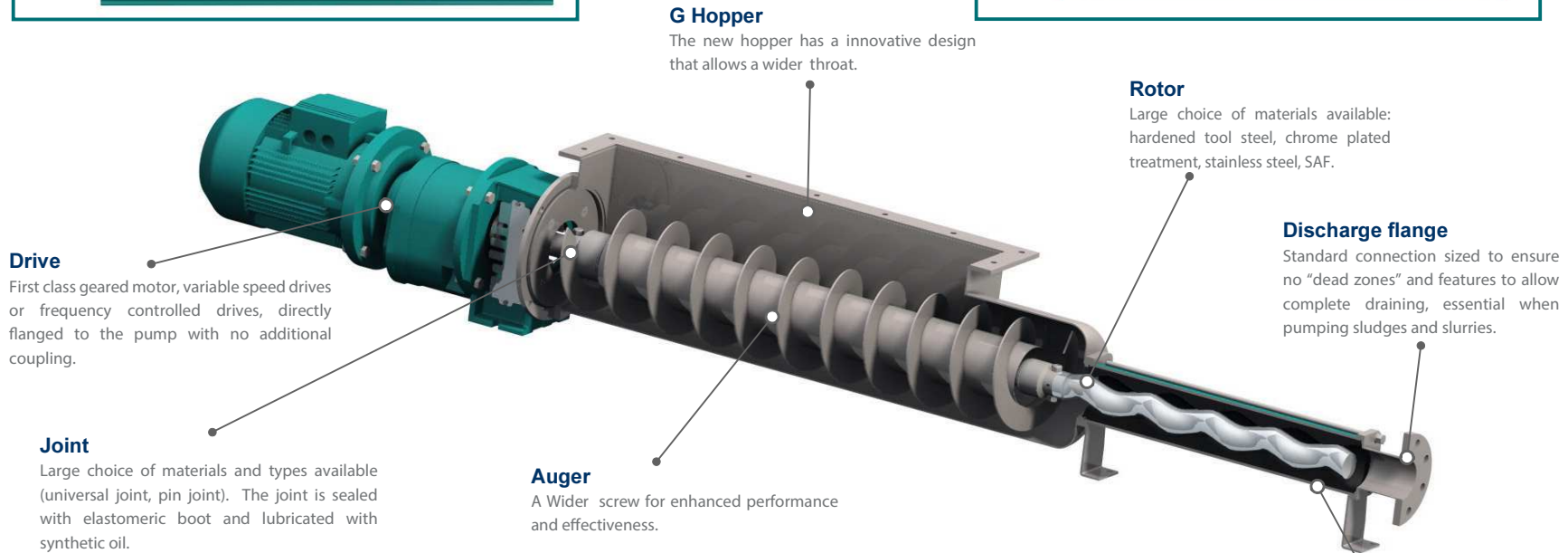
Capacity: from 30 l/h up to 300 m³/h [0.132 usgpm up to 1.320 usgpm]
Pressure: up to 48 bar [696 psig]



Block version
Model: BG 052-2S



Housing bearing version
Model: LG 052-2S



Typical fields of application



Environmental and energy

Waste water treatment, drinking water purification, renewable energies, biogas plant.



Food and pharmaceutical

Beverages, wine, sugar, dairies, breweries, fish and meat processing, bakery products.



Oil and gas

On and offshore oil production, oil transfer, petrochemicals, refineries.



Shipbuilding

Conveying bilge water, drilling mud, treatment of waste, oil water separation.



Chemical, pulp and paper

Chemical industry, paper, cellulose and textile industry, paint and varnish.



Mining

and anywhere the conveyed product is too viscous and with poor flowing properties to be pumped with other pumps.

Stator

Available in a wide range of materials (Nbr, Hypalon, Viton, etc). Gaskets are an integral part of the stator. Corrosion of the stator tube is never a problem because the pumped liquid never comes into contact with the metal.

The logo consists of the word "BEDU" in a large, bold, white sans-serif font, with "POMPEN" in a smaller, white sans-serif font below it. The text is centered within a dark teal square, which is itself centered within a white square border.

BEDU
POMPEN

made for your process

- Expert advice
- A customer-oriented organization that adapts to the requirements and wishes of your organization
- Innovative and customized solutions
- Breakdownservice, 24 hours a day, 7 days a week
- Technical service with extensive test facilities, working from our own workplace or at your location
- A fast and appropriate solution for all your issues
- Wide range of liquid pumps
- Repair, maintenance and revision

BEDU POMPEN B.V.
Poort van Midden Gelderland Rood 10
6666 LT HETEREN
Nederland
Telefoon +31 (0)88 4802 900
E-mail sales@bedu.eu

WWW.BEDU.NL

BEDU BELGIUM B.V.B.A.
Industriepark-West 75
9100 SINT-NIKLAAS
België
Telefoon +32 (0)3 80 87 980
E-mail sales@bedu.eu

WWW.BEDU.BE

