

BEDU
≡ POMPEN ≡

BRASS ELECTRIC PUMPS

ENM SERIES

(20L, 20, 25, 25MS, 25S, 30, 35, 40, 50)

ENT SERIES

(20L, 20, 25, 25MS, 25S, 30, 40, 50)



made for your process

ENM AND ENT SERIES

The ENM and ENT series are professional versions of self-priming electric transfer pumps in brass. Equipped with an oversized single phase (ENM) or three-phase (ENT) asynchronous motor and long-lasting rotary switch, they are designed for demanding applications. These side channel pumps are equipped with a strong suction capability, they can work even with discontinuous presence of the liquid and it is possible to invert the flow. They are real multifunction pumps, capable of solving multiple pumping problems. For each application, it is necessary to check the chemical resistance of the materials.

Applications:

- agriculture (diesel oil, , spraying systems, anti-freeze liquids, irrigation)
- industry (low viscous oils, diesel oil, salt water)
- marine (sea water, diesel oil)
- automotive (windshield washer fluids, diesel oil)

Models:

Product	Connections	Power	Ø Hose connector	Supply	Q Max	H Max
ENM 20L ENT 20L	3/4 "	0,1 kW	20 mm	230V-50Hz 400V-50Hz	13 lt/min	6 m
ENM 20 ENT 20	3/4 "	0,4 kW	20 mm	230V-50Hz 400V-50Hz	28 lt/min	22 m
ENM 25 ENT 25	1 "	0,4 kW	25 mm	230V-50Hz 400V-50Hz	50 lt/min	13 m
ENM 25MS ENT 25MS	1 "	0,9 kW	25 mm	230V-50Hz 400V-50Hz	56 lt/min	36 m
ENM 25S ENT 25S	1 "	1,5 kW	25 mm	230V-50Hz 400V-50Hz	88 lt/min	46 m
ENM 30 ENT 30	1½ "	0,7 kW	30 mm	230V-50Hz 400V-50Hz	93 lt/min	17 m
ENM 35	1½ "	0,7 kW	35 mm	230V-50Hz	93 lt/min	17 m
ENM 40 ENT 40	1½ "	0,9 kW	40 mm	230V-50Hz 400V-50Hz	140 lt/min	17 m
ENM 50 ENT 50	2 "	1,9 kW	50 mm	230V-50Hz 400V-50Hz	250 lt/min	29 m

www.bedu.eu

Hydraulic specifications

- Shaft seal: Lipseal NBR (FPM (Viton) on request)
- Maximum priming height: 6 m
- Maximum liquid density 1.1 kg/dm³ free of hard particles in suspension (e.g. sand)
- Maximum temperature 90° C (with seals on request up to 130 ° C)
- Not suitable for the transfer of petrol, solvents and, in general, in environments with risk of explosion and fire.
- Possibility of reversing the pumping flow
- During installation, the pump must be filled with liquid, subsequently this operation is no longer necessary.

Technical specifications

MATERIALS

- Pump body : brass
- Pump cover : brass
- Shaft : stainless steel AISI 316
- Impeller : brass
- Shaftsealing : NBR (FPM (Viton) on request)
- O-ring casing : NBR (FPM (Viton) on request)

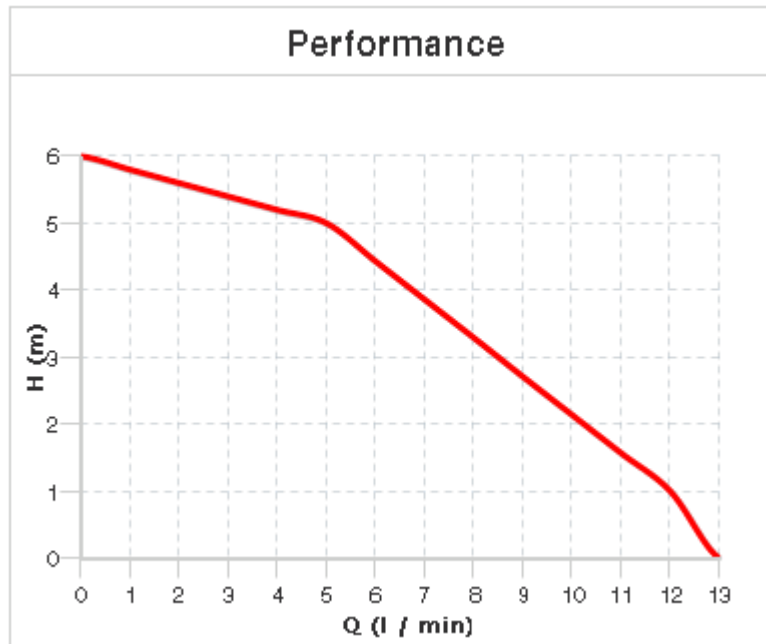
MOTOR

- ENM SERIES are powered by an asynchronous single-phase 230V 50Hz motor
- ENT SERIES are powered by an asynchronous three-phase 400V 50Hz motor
- Degree of protection IP 44
- Insulation class F
- Power connection via cable with 2m schuko plug
- Switching on and inversion of the pumping flow by means of an inverter

Equipped with:

ENM 20L/ENT 20L	: MEC 63 engine at 1400 rpm
ENM 20/ENT 20	: MEC 63 engine at 2800 rpm
ENM 25/ENT 25	: MEC 71 engine at 1400 rpm
ENM 25MS/ENT 25MS	: MEC 71 engine at 2800 rpm
ENM 25S/ENT 25S	: MEC 80 engine at 2800 rpm
ENM 30/ENM 35/ENT 30/ENM 40/ENT 40/ENM 50/ENT 50	: MEC 80 engine at 1400 rpm

ENM 20L/ENT 20L SERIES

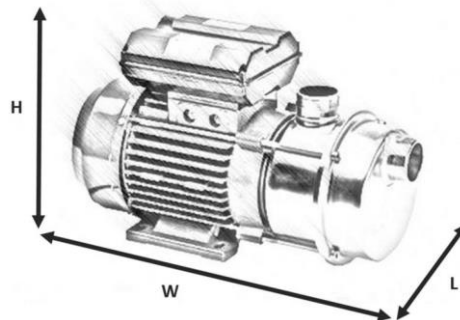


Characteristics referring to operation with water at 20°C

Flow rate (l/min)	
1 m	5 m
12 lt/min	5 lt/min

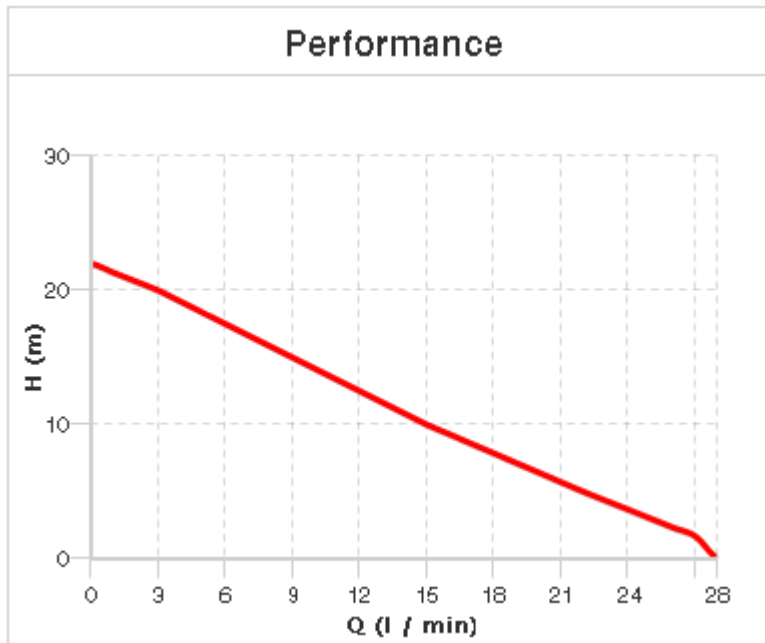
Overall dimensions				
W	L	H	Weight	Leq A *
150 mm	150 mm	195 mm	5,1 kg	69 dB

*Leq A measured 1 meter from the pump surface



www.bedu.eu

ENM 20/ENT 20 SERIES

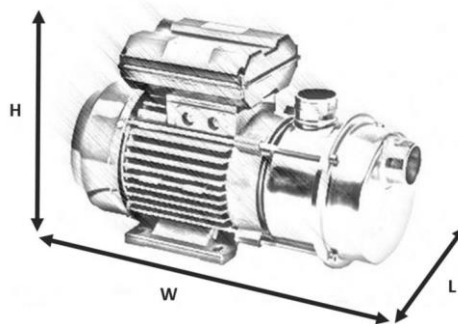


Characteristics referring to operation with water at 20°C

Flow rate (l/min)			
1 m	5 m	10 m	20 m
28 lt/min	22 lt/min	15 lt/min	3 lt/min

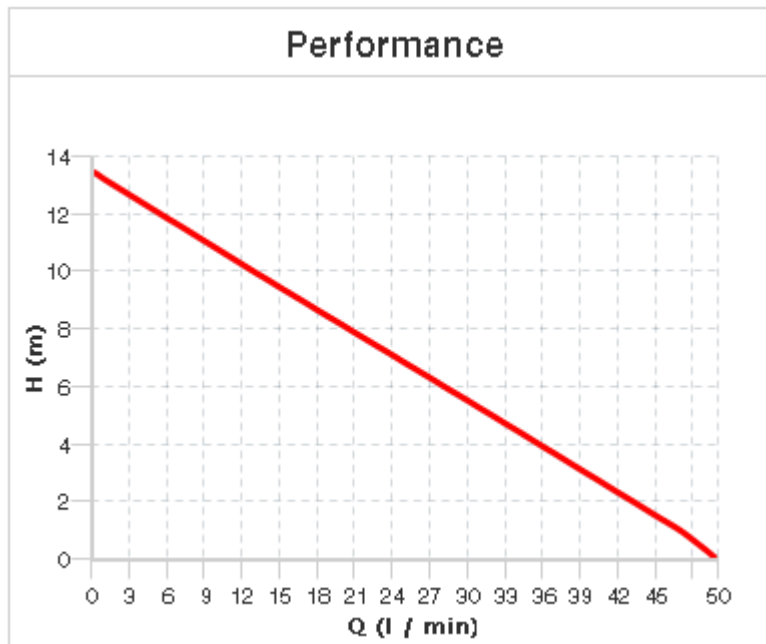
Overall dimensions				
W	L	H	Weight	Leq A *
250 mm	120 mm	195 mm	5,1 kg	77 dB

*Leq A measured 1 meter from the pump surface



www.bedu.eu

ENM 25/ENT 25 SERIES

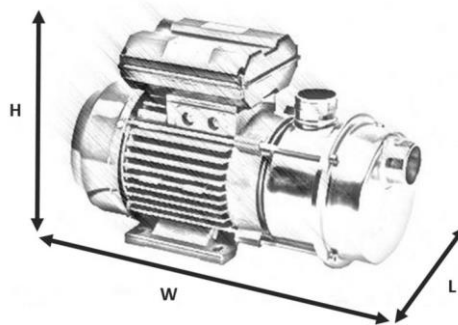


Characteristics referring to operation with water at 20°C

Flow rate (l/min)		
1 m	5 m	10 m
47 lt/min	32 lt/min	13 lt/min

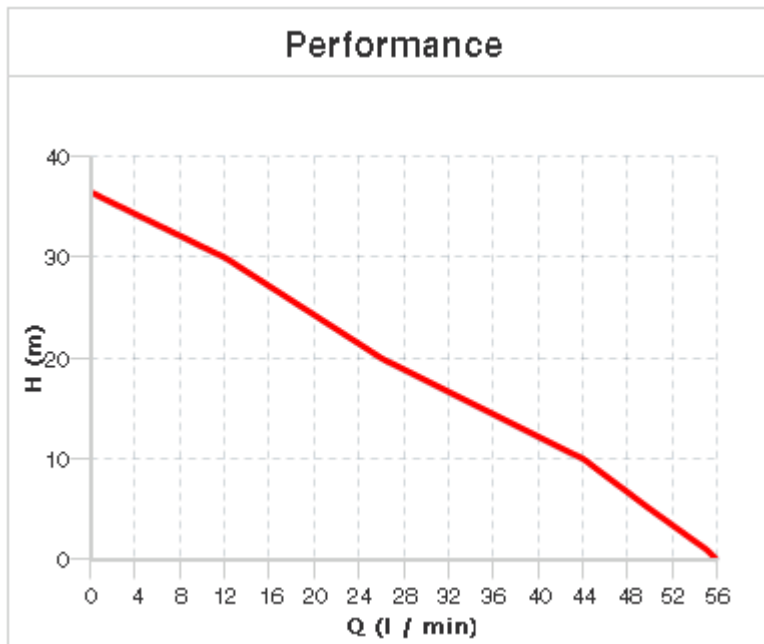
Overall dimensions				
W	L	H	Weight	Leq A *
325 mm	141 mm	210 mm	9,0 kg	71 dB

*Leq A measured 1 meter from the pump surface



www.bedu.eu

ENM 25MS/ENT 25MS SERIES

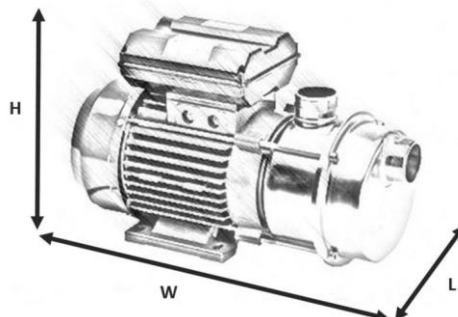


Characteristics referring to operation with water at 20°C

Flow rate (l/min)				
1 m	5 m	10 m	20 m	30 m
55 lt/min	50 lt/min	44 lt/min	26 lt/min	12 lt/min

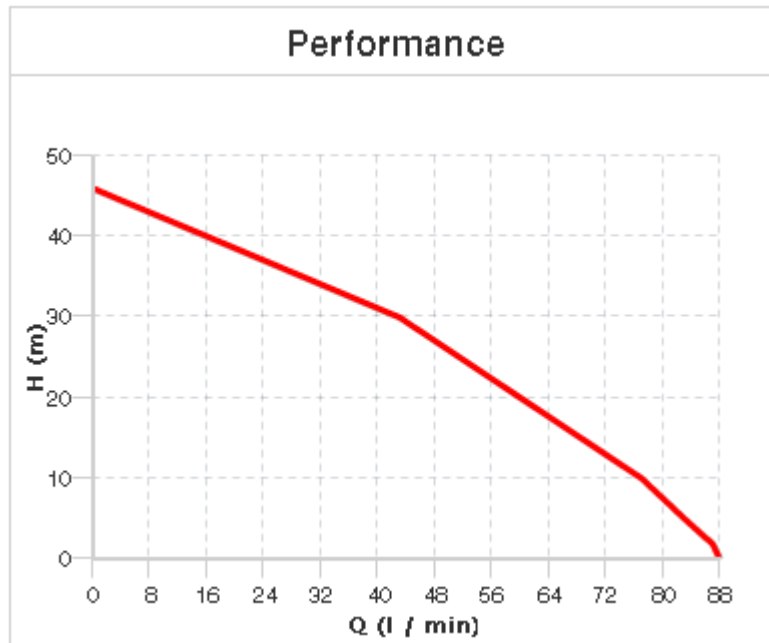
Overall dimensions				
W	L	H	Weight	Leq A *
283 mm	122 mm	154 mm	5,1 kg	75 dB

*Leq A measured 1 meter from the pump surface



www.bedu.eu

ENM 25S/ENT 25S SERIES

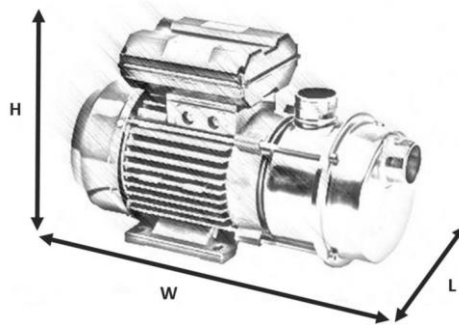


Characteristics referring to operation with water at 20°C

Flow rate (l/min)				
1 m	5 m	10 m	20 m	30 m
88 lt/min	83 lt/min	77 lt/min	60 lt/min	43 lt/min

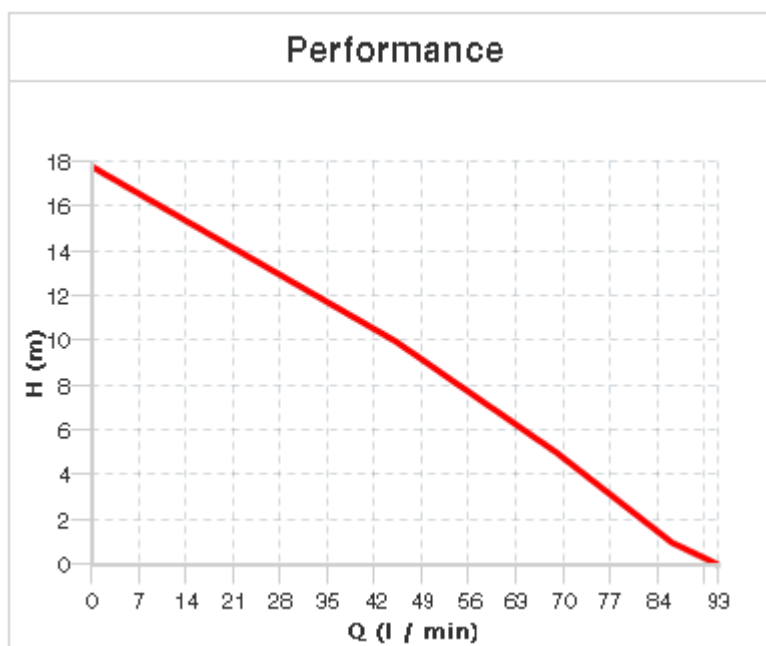
Overall dimensions				
W	L	H	Weight	Leq A *
350 mm	158 mm	230 mm	13,2 kg	83 dB

*Leq A measured 1 meter from the pump surface



www.bedu.eu

ENM 30/ENM 35/ENT 30 SERIES

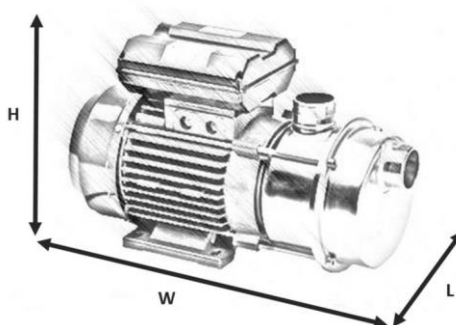


Characteristics referring to operation with water at 20°C

Flow rate (l/min)		
1 m	5 m	10 m
86 lt/min	69 lt/min	45 lt/min

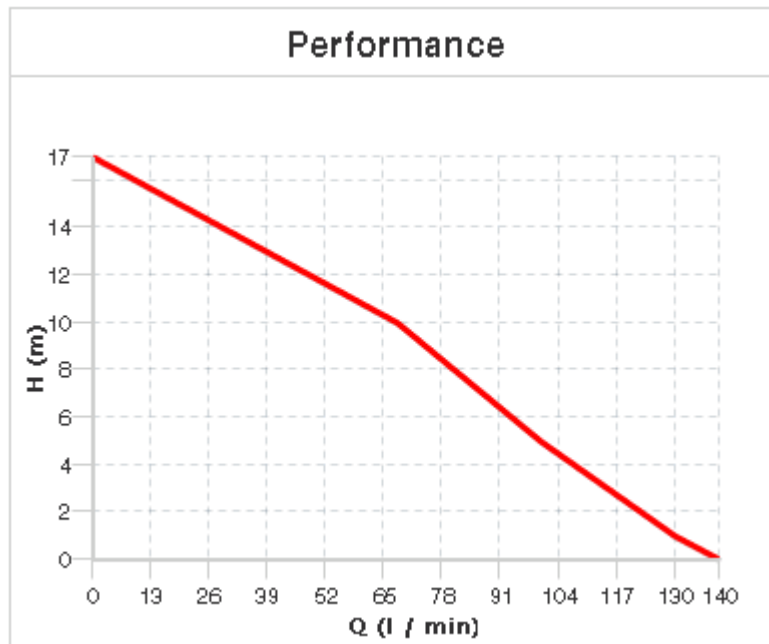
Overall dimensions				
W	L	H	Weight	Leq A *
375 mm	165 mm	230 mm	11,9 kg	81 dB

*Leq A measured 1 meter from the pump surface



www.bedu.eu

ENM 40/ENT 40

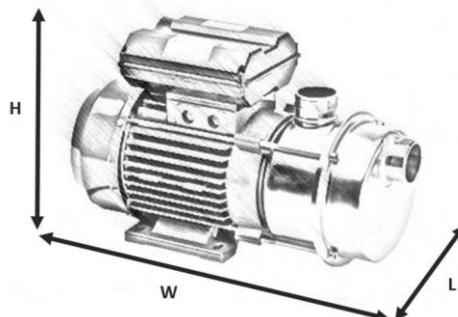


Characteristics referring to operation with water at 20°C

Flow rate (l/min)		
1 m	5 m	10 m
130 lt/min	100 lt/min	68 lt/min

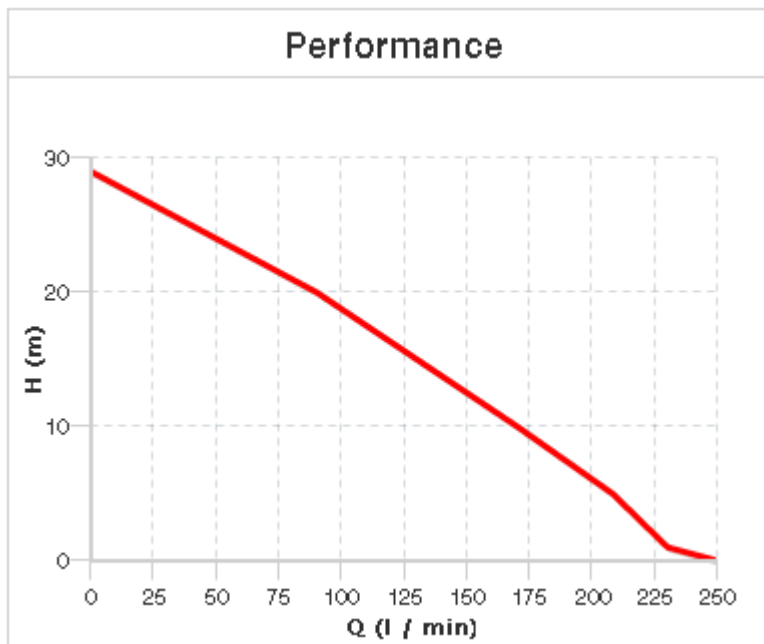
Overall dimensions				
W	L	H	Weight	Leq A *
375 mm	162 mm	230 mm	13,8 kg	78 dB

*Leq A measured 1 meter from the pump surface



www.bedu.eu

ENM 50/ENT 50

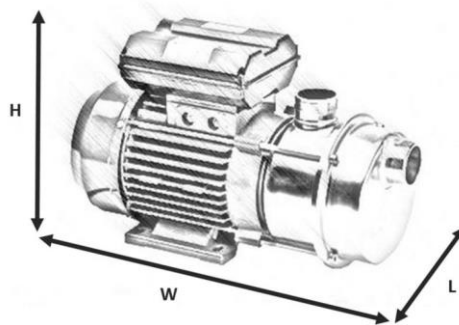


Characteristics referring to operation with water at 20°C

Flow rate (l/min)			
1 m	5 m	10 m	20 m
230 lt/min	208 lt/min	170 lt/min	90 lt/min

Overall dimensions				
W	L	H	Weight	Leq A *
430 mm	200 mm	250 mm	20,7 kg	91 dB

*Leq A measured 1 meter from the pump surface



www.bedu.eu

The logo consists of the word "BEDU" in a large, bold, white sans-serif font, with "POMPEN" in a smaller, white sans-serif font below it. The text is centered within a dark teal square, which is itself centered within a white square border.

BEDU
POMPEN

made for your process

- Expert advice
- A customer-oriented organization that adapts to the requirements and wishes of your organization
- Innovative and customized solutions
- Breakdownservice, 24 hours a day, 7 days a week
- Technical service with extensive test facilities, working from our own workplace or at your location
- A fast and appropriate solution for all your issues
- Wide range of liquid pumps
- Repair, maintenance and revision

BEDU POMPEN B.V.
Poort van Midden Gelderland Rood 10
6666 LT HETEREN
Nederland
Telefoon +31 (0)88 4802 900
E-mail sales@bedu.eu

WWW.BEDU.NL

BEDU BELGIUM B.V.B.A.
Industriepark-West 75
9100 SINT-NIKLAAS
België
Telefoon +32 (0)3 80 87 980
E-mail sales@bedu.eu

WWW.BEDU.BE

