

DRX



Special alloy pumps

General characteristics

- Special alloy pumps
- 0,37 ÷ 1,5 kW motor power
- 2 poles
- GAS 1 1/4" - GAS 2" vertical delivery port
- max 15 mm free passage

Electromechanical assembly

Electromechanical assembly in CF-8M (AISI 316) stainless steel, for submerged operation. Seal set comprising 2 (two) silicon carbide mechanical seals assembled opposing and with oil lubrication. Oil bath motor. Separate pump body. Series not available in explosion-proof version.

Applications

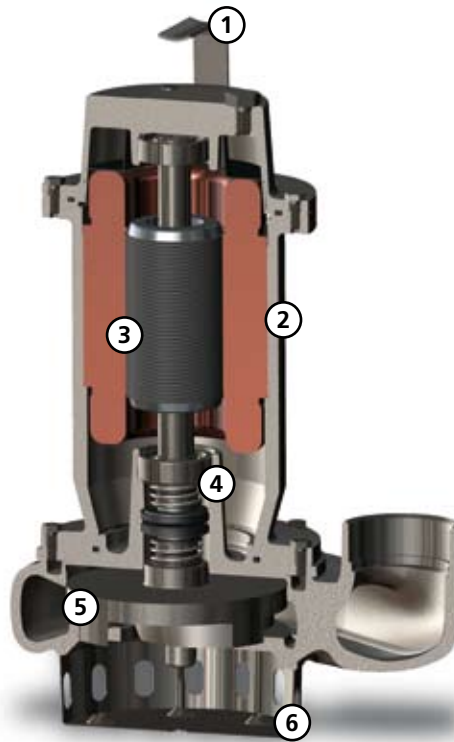
Designed for the treatment of strongly corrosive or chemically aggressive liquids, especially in the chemical industry, this unit is for a specific industrial application.

Construction materials

Case	Cast Stainless Steel - CF-8M (AISI 316)
Impeller	Stainless steel
Nuts and bolts	Stainless Steel - Class A4-70
Standard gasket	Rubber - VITON
Shaft	Stainless Steel - AISI 316
Set of standard mechanical seals	Two Silicon carbide mechanical seals (2SiC)

operating limits

Maximum operating temperature	40 °C
PH of treated fluid	5 to 10 pH
Viscosity of treated fluid	1 mm ² /s
Maximum immersion depth	20 m
Density of treated fluid	1 Kg/dm ³
Maximum acoustic pressure	70 dB
max starts per hour	20



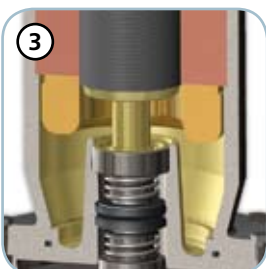
Handle and cable gland

AISI 316 stainless steel lifting and carrying handle. A rigid or flexible duct can be fixed to the cable gland to protect the power supply cable



Structure

CF-8M (AISI 316) steel construction which makes the pump suitable for use in saline environments



Motor

Oil-bath motor with thermal overloads



Mechanical seals

Two mechanical seals in silicon carbide (2SiC)



Impeller

Multichannel open impeller in CF-8M steel



Intake strainer

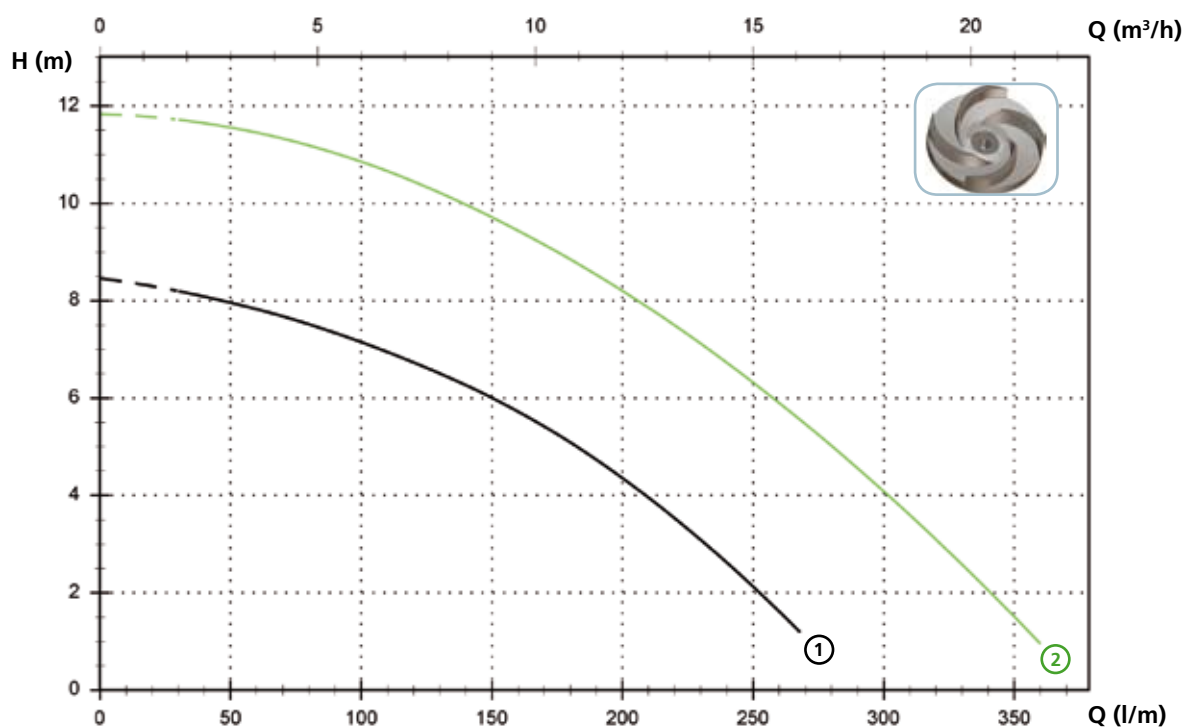
Intake strainer in stainless steel

DRX

Models with vertical GAS 1 1/4" threaded delivery port - 2 poles

Performances

	l/s	0	1	2	3	4	5	6
	l/min	0	60	120	180	240	300	360
	m ³ /h	0	3,6	7,2	10,8	14,4	18,0	21,6
① DRX 50/2/G32V A0CM/50		8,5	7,8	6,7	5,1	2,6		
② DRX 75/2/G32V A0CM/50		11,8	11,5	10,5	8,9	6,7	4,1	1,0



Technical data

	V	Phases	P1 (kW)	P2 (kW)	A	Rpm	Ø	Cable (*)	Free passage
① DRX 50/2/G32V A0CT/50	230	1	-	0.37	2.9	2900	G 1 1/4"	A	15 mm
② DRX 75/2/G32V A0CM/50	230	1	-	0.55	3.9	2900	G 1 1/4"	A	15 mm

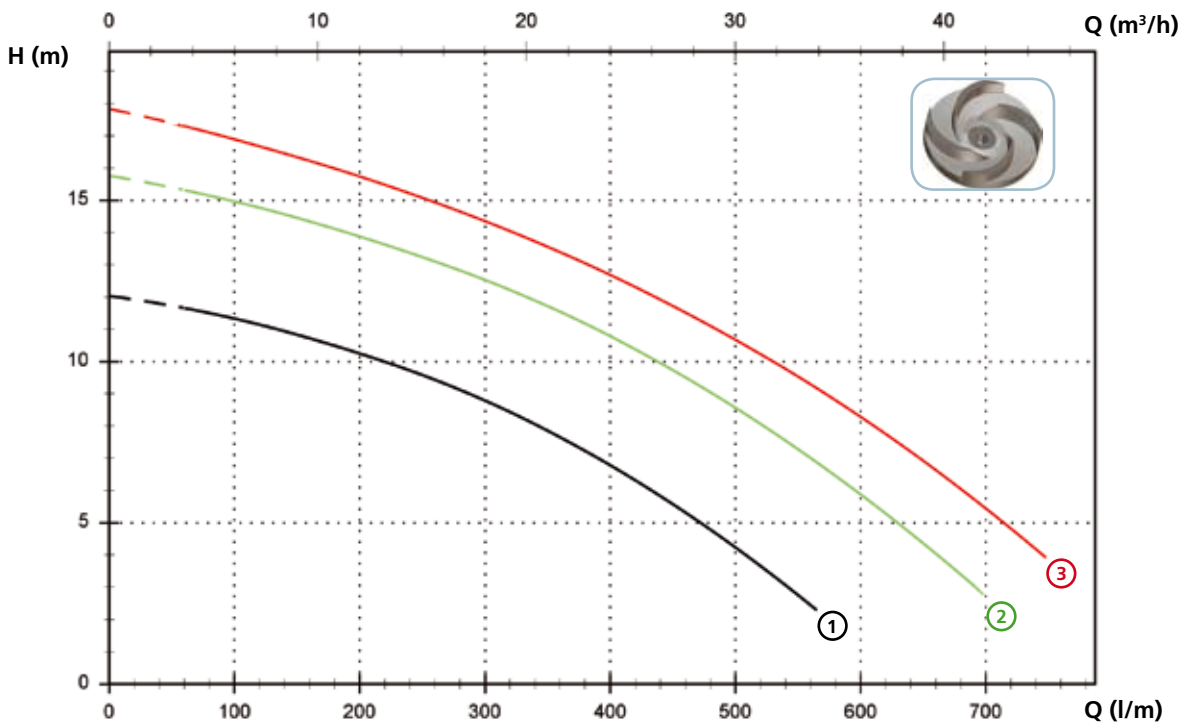
	V	Phases	P1 (kW)	P2 (kW)	A	Rpm	Ø	Cable (*)	Free passage
① DRX 50/2/G32V A0CT/50	400	3	-	0.37	1.1	2900	G 1 1/4"	A	15 mm
② DRX 75/2/G32V A0CT/50	400	3	-	0.55	1.4	2900	G 1 1/4"	A	15 mm

(*) A = H07RN-F 4G1 - 10 m

Models with vertical GAS 2" threaded delivery port - 2 poles

Performances

	l/s	0	2	4	6	8	10	12
	l/min	0	120	240	360	480	600	720
	m ³ /h	0	7,2	14,4	21,6	28,8	36,0	43,2
① DRX 100/2/G50V A0CM/50		12,0	11,1	9,7	7,6	4,8		
② DRX 150/2/G50V A0CM/50		15,8	14,8	13,4	11,5	9,0	5,9	
③ DRX 200/2/G50V A0CM/50		17,8	16,7	15,2	13,4	11,1	8,3	4,8



Technical data

	V	Phases	P1 (kW)	P2 (kW)	A	Rpm	Ø	Cable (*)	Free passage
① DRX 100/2/G50V A0CM/50	230	1	-	0.88	6.5	2900	G 2"	A	15 mm
② DRX 150/2/G50V A0CM/50	230	1	-	1.1	8.2	2900	G 2"	A	15 mm
③ DRX 200/2/G50V A0CM/50	230	1	-	1.5	9.3	2900	G 2"	A	15 mm

	V	Phases	P1 (kW)	P2 (kW)	A	Rpm	Ø	Cable (*)	Free passage
① DRX 100/2/G50V A0CT/50	400	3	-	0.88	2.3	2900	G 2"	A	15 mm
② DRX 150/2/G50V A0CT/50	400	3	-	1.1	2.7	2900	G 2"	A	15 mm
③ DRX 200/2/G50V A0CT/50	400	3	-	1.5	3.6	2900	G 2"	A	15 mm

(*) A = H07RN-F 4G1 - 10 m

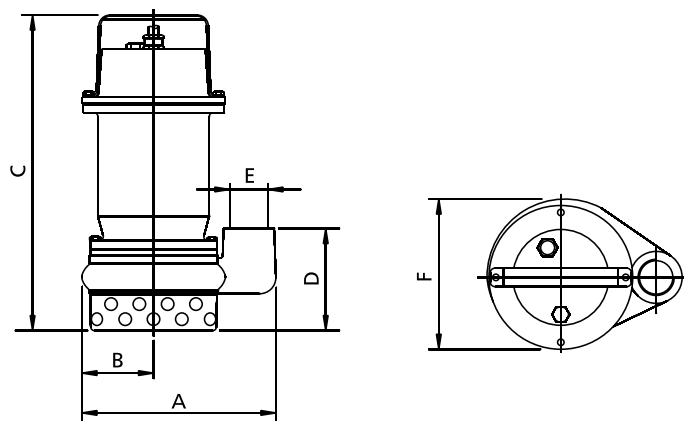
DRX

Versions available

(Key to versions on page 15)

	Electrical variants													Cooling		Mechanical seals				
	N A E	T	T C	T C D	T C D T	T C D G	T C G	T C S	T C S G	T S	T R	T R G	F T	C G F T	N	CC	2SIC	SICM	SICAL	2SICAL
DRX 50/2/G32V A0CM/50		●						●	●					●		●				
DRX 75/2/G32V A0CM/50		●						●	●					●		●				
DRX 100/2/G50V A0CM/50		●						●	●					●		●				
DRX 150/2/G50V A0CM/50		●						●	●					●		●				
DRX 200/2/G50V A0CM/50		●						●	●					●		●				
DRX 50/2/G32V A0CT/50	●													●		●				
DRX 75/2/G32V A0CT/50	●													●		●				
DRX 100/2/G50V A0CT/50	●													●		●				
DRX 150/2/G50V A0CT/50	●													●		●				
DRX 200/2/G50V A0CT/50	●													●		●				

Overall dimensions and weights

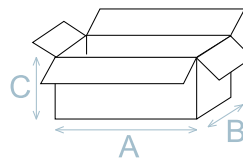


	A	B	C	D	E	F	kg
DRX 50/2/G32V A0CM(T)/50	210	75	340	110	G 1 1/4"	160	17
DRX 75/2/G32V A0CM(T)/50	210	75	340	110	G 1 1/4"	160	17
DRX 100/2/G50V A0CM(T)/50	265	100	390	125	G 2"	190	21
DRX 150/2/G50V A0CM(T)/50	265	100	390	125	G 2"	190	23
DRX 200/2/G50V A0CM(T)/50	265	100	390	125	G 2"	190	23

Measurements in mm

Packaging dimension

	A	B	C
DRX 50/2/G32V A0CM/50	385	225	245
DRX 75/2/G32V A0CM/50	385	225	245
DRX 100/2/G50V A0CM/50	475	285	235
DRX 150/2/G50V A0CM/50	475	285	235
DRX 200/2/G50V A0CM/50	475	285	235
DRX 50/2/G32V A0CT/50	385	225	245
DRX 75/2/G32V A0CT/50	385	225	245
DRX 100/2/G50V A0CT/50	475	285	235
DRX 150/2/G50V A0CT/50	475	285	235
DRX 200/2/G50V A0CT/50	475	285	235



Dimension in mm

Installations available

